



SLIM CHICKENS

Fresh Tenders *and* Wings • House Sauces

NW CORNER OF CULEBRA RD.
AND TALLEY RD.
SAN ANTONIO, TX 78254

GENERAL NOTES:

1. VERIFY ALL DIMENSIONS AND CONDITIONS OF CONSTRUCTION PRIOR TO START OF CONSTRUCTION. CONTACT ARCHITECT IF DISCREPANCIES OCCUR.
2. ALL SURFACES WHICH ARE INDICATED TO BE FINISHED OR PAINTED SHALL BE PREPARED, SANDED, TREATED, AND PRIMED IN STRICT ACCORDANCE WITH COMMERCIAL QUALITY STANDARDS, AND IN STRICT ACCORDANCE WITH FINISH MATERIAL MANUFACTURER'S DETAILED INSTRUCTIONS.
3. ALL WORK SHALL BE IN ACCORDANCE WITH ALL APPLICABLE CODES.
4. ALL JOINTS AND OTHER OPENINGS IN THE EXTERIOR BUILDING ENVELOPE SHALL BE CAULKED, GASKETED, WEATHER-STRIPPED, OR OTHERWISE SEALED IN ACCORDANCE WITH THE BUILDING CODE AND ENERGY CODE.
5. PROVIDE WOOD BLOCKING FOR ALL ITEMS, INCLUDING BUT NOT LIMITED TO, SYSTEM COMPONENTS, GRAB BARS, FIXTURES, SWITCHES, ELECTRICAL PANELS, UNIT HEATERS, DOOR STOPS, HARDWARE, ETC.
6. PAINT OR FINISH ALL NEW EXPOSED SURFACES UNLESS SPECIFICALLY NOTED OTHERWISE OR IF SURFACE IS PREFINISHED.
7. PROVIDE FIRE EXTINGUISHERS PER APPLICABLE CODES. VERIFY FINAL LOCATION WITH A.H.J.
8. MAINTAIN SAFE EXITING AND APPROPRIATE FIRE PREVENTION PROCEDURES AT ALL TIMES DURING THE CONSTRUCTION PROCESS.
9. AT BUILDING ELEMENTS PROJECTING FROM THE MAIN STRUCTURE, MATERIALS AND FINISHES ON THE FACE OF THE ELEMENT SHALL RETURN TO THE ADJACENT MAIN STRUCTURAL WALL WHETHER OR NOT SHOWN ON AN ADJACENT WALL SECTION, TYPICAL.
10. PROVIDE ALL NECESSARY BRACING TO STRUCTURE FOR INTERIOR PARTITIONS, SOFFITS, CEILINGS, PLATFORMS, ETC. WHETHER OR NOT SHOWN ON THE DRAWINGS.
11. MAXIMUM SLOPE OF NEW PAVEMENT SHALL NOT EXCEED 4.9% (1:21). MAXIMUM CROSS SLOPE OF NEW PAVEMENT SHALL NOT EXCEED 2% (1:50). MINIMUM SLOPE OF NEW EXTERIOR PAVEMENT SHALL BE 2% TO DRAIN AWAY FROM BUILDING.
12. THE NUMBERING OF KEYNOTES (AT RIGHT MARGIN) INTO CSI DIVISIONS IS NOT TO BE CONSTRUED AS COMPATIBLE WITH THE LATEST DIVISION STANDARDS; IT IS FOR CONVENIENCE & BREVITY ONLY. SOME NUMBERS MAY NOT BE USED.
13. PROVIDE CONTINUOUS SEALANT AND BACKER ROD AT EACH FACE OF ALL STOREFRONT, DOOR AND WINDOW FRAMES FOR ENTIRE PERIMETER OF FRAME. PROVIDE SHIM SPACE AND SHIMS TO LEVEL FOR INSTALLATION.
14. DOOR SIZES ARE NOMINAL OPENING WIDTH. WINDOW OPENING DIMENSIONS SHOWN ARE TO ROUGH OPENINGS.

Sheet List Table

Sheet Number	Sheet Name
GENERAL	
CS	COVER SHEET
CIVIL	
**	ON SEPARATE COVER
ARCHITECTURAL	
LS	LIFE SAFETY PLAN & GENERAL INFORMATION
A1.1	FLOOR PLAN
A1.2	REFLECTED CEILING PLAN
A1.3	ROOF PLAN
A1.4	FINISH PLAN
A1.5	FINISH SCHEDULE & LEGEND
A2.1	EXTERIOR ELEVATIONS
A2.2	EXTERIOR ELEVATIONS
A2.3	EXTERIOR BUILDING SIGNAGE
A2.4	SITE SIGNAGE
A3.1	INTERIOR ELEVATIONS
A3.2	INTERIOR ELEVATIONS
A4.1	BUILDING SECTIONS
A4.2	WALL SECTIONS
A4.3	WALL SECTIONS
A5.1	DETAILS - EXTERIOR
A5.2	DETAILS - EXTERIOR
A5.3	DETAILS
A5.4	DETAILS - INTERIOR
A5.5	DETAILS - RESTROOM AND ACCESSIBILITY
A5.6	DETAILS - DOORS AND WINDOWS
A5.7	DETAILS - MILLWORK
STRUCTURAL	
S0.1	STRUCTURAL GENERAL NOTES AND DETAILS
S0.2	STRUCTURAL GENERAL NOTES AND DETAILS
S1.1	FOUNDATION PLAN AND DETAILS
S1.2	TYPICAL FOUNDATION DETAILS
S1.3	FOUNDATION DETAILS
S2.1	ROOF FRAMING PLAN AND DETAILS
S2.2	TYPICAL FRAMING DETAILS
S2.3	FRAMING DETAILS
PLUMBING	
P1.0	PLUMBING DRAIN PLAN
P1.1	PLUMBING SLAB PENETRATION PLAN
P2.0	PLUMBING SUPPLY PLAN
P2.1	PLUMBING GAS PLAN
P3.0	PLUMBING RISERS
P3.1	PLUMBING GAS RISER
P4.0	PLUMBING DETAILS
P5.0	PLUMBING LEGENDS, NOTES, AND SCHEDULES
MECHANICAL	
H1.0	HOOD PACKAGE
H2.0	HOOD PACKAGE
H3.0	HOOD PACKAGE
H4.0	HOOD PACKAGE
H5.0	HOOD PACKAGE
H6.0	HOOD PACKAGE
M1.0	MECHANICAL PLAN
M2.0	MECHANICAL SCHEDULES
ELECTRICAL	
E0.1	ELECTRICAL SITE PLAN
E1.0	POWER PLAN
E1.1	ROOF PLAN
E1.2	ELECTRICAL SCHEDULES
E1.3	ELECTRICAL DETAILS
E1.4	LOW VOLTAGE PLAN
E2.0	LIGHTING PLAN
E3.0	SITE PHOTOMETRIC
KITCHEN	
K-1	EQUIPMENT PLAN LAYOUT
K1.1	KITCHEN ELEVATIONS
K1.2	MILLWORK PACKAGE
K-2	ELECTRICAL REQUIREMENTS PLAN
K-3	PLUMBING REQUIREMENTS PLAN
K-4	BUILDING WORKS PLAN



DOCUMENTS WITHOUT SIGNATURE AND REQUIRED SEAL OF AOR / EOR ARE NOT FOR CONSTRUCTION.

PROJECT CONTACTS:

OWNER: DAN McGRATH BIG STAR CHICKEN PO BOX 40729 AUSTIN, TX 78704 810-834-9326	ARCHITECT: DAVID F. PHELPS 810 SOUTH CINCINNATI, SECOND FLOOR TULSA, OK 74119 918-877-6000	STRUCTURAL: KATHERINE JANE WILCZEK 810 SOUTH CINCINNATI, SECOND FLOOR TULSA, OK 74119 918-877-6000	MECHANICAL & PLUMBING: MICHAEL OBERMARK 810 SOUTH CINCINNATI, SECOND FLOOR TULSA, OK 74119 918-877-6000	ELECTRICAL: MATTHEW JARED RUTKOWSKI 810 SOUTH CINCINNATI, SECOND FLOOR TULSA, OK 74119 918-877-6000
--	--	--	---	---

VICINITY MAP:



ABBREVIATIONS:

AFF	Above Finished Floor	EXIST	Existing	OPNG	Opening
ACT	Acoustical Ceiling Tile	EXP	Expansion	OPT	Optional
ACOUST	Acoustical	EXT	Exterior	OTS	Open to Structure
ADJ	Adjustable	FE	Fire Extinguisher	PL	Plate
ALUM	Aluminum	FEC	Fire Extinguisher & Cabinet	PLAM	Plastic Laminate
ANC	Anchor	FFE	Furniture, Fixtures & Equipment	PLYWD	Plywood
AND	Anodized	FIN	Finish	PLUMB	Plumbing
ARCH	Architectural	FLR	Floor	PR	Preparation
ASSY	Assembly	FRP	Fiberglass Reinforced Plastic	PREP	Preparation
BD	Board	FRT	Fire Retardant Treated	PREFIN	Prefinished
BFG	Below Finished Grade	FS	Floor Sink	PTD	Painted
BFF	Below Finished Floor	FSE	Food Service Equipment	QT	Quarry Tile
BLDG	Building	FT	Feet	QTY	Quantity
BLKG	Blocking	GA	Gage	RCP	Reflected Ceiling Plan
BM	Beam	GALV	Galvanized	RE(F)	Reference
BOT	Bottom	GC	General Contractor	REINF	Reinforced, Reinforcing
BRG	Bearing	GL	Glass	RELOC	Relocate
BS	Both Sides	GYP BD	Gypsum Board	REQD	Required
BTWN	Between	HC	Hollow Core	REV	Revision, Reversed
CAB	Cabinet	HM	Hollow Metal	RO	Rough Opening
CJ	Control Joint	HT	Height	RTU	Roof Top Unit
CL	Center Line	HDWD	Hardwood	SC	Solid Core
CLG	Ceiling	HR	Hour	SF	Square Foot
CLR	Clear	HVAC	Heating, Ventilation and Air Conditioning	SHT	Sheet
CMU	Concrete Masonry Unit	IN	Inch	SHTH	Sheathing
COL	Column	INSUL	Insulation, Insulate	SS	Stainless Steel
CONC	Concrete	INT	Interior	SCHED	Schedule
CONT	Continuous	IST	Joist	SIM	Similar
CONST	Construct(ion)	LAM	Laminated	SPEC'D	Specified
CT	Ceramic Tile	LAV	Lavatory	STD	Standard
DBL	Double	MANUF	Manufacturer	STL	Steel
DEMO	Demolition	MAX	Maximum	STRUC	Structural
DIA	Diameter	MECH	Mechanical	SUSP	Suspended
DN	Down	MEP	Mechanical, Electrical, and Plumbing	TBD	To be determined
DR	Door	MILL	Millwork	TEMP	Temperd
DS	Downspout	MIN	Minimum	TYP	Typical
DTL	Detail	MISC	Miscellaneous	VCT	Vinyl Composition Tile
DWG	Drawing	MO	Masonry Opening	VERT	Vertical
EA	Each	MTD	Mounted	UNO	Unless Noted Otherwise
EIFS	Exterior Insulation and Finish System	MTL	Metal	W/	With
EF	Exhaust Fan	NIC	Not In Contract	W/O	Without
EJ	Expansion Joint	NOM	Nominal	WC	Water Closet
EL	Elevation	NTS	Not To Scale	WD	Wood
ELEC	Electrical	OC	On Center	WH	Water Heater
EO	Equal	OD	Outside Diameter	WDW	Window
EQUIP	Equipment	OFCI	Owner Furnished, Contractor Installed	WSCOT	Wainscot
		OH	Opposite Hand		

DRAWING SYMBOLS:

	NORTH ARROW INDICATOR		SECTION CUT TAG
	DRAWING KEYNOTE TAG		ELEVATION TAG
	WALLTYPE TAG		4-WAY ELEVATION TAG
	DOOR TAG		COLUMN GRID BUBBLE AND LINE
	FINISH NOTE TAG		ELEVATION HEIGHT TAG
	WINDOW TAG		DETAIL TAG
	SPOT TAG		
	REVISION TAG		
	CEILING MATERIAL AND HEIGHT TAG		
	ROOM NAME AND NUMBER TAG		

MATERIALS LEGEND:

PLYWOOD	RIGID INSULATION	CONCRETE BLOCK	CEILING TILE
STEEL	METAL STUD WALL	BRICK	GYPSUM BOARD
WOOD BLOCKING	DIMENSIONAL LUMBER	EARTH	CONCRETE
FINISH WOOD	BATT INSULATION	SAND	GRAVEL

THIS DRAWING WAS PREPARED SOLELY AND EXCLUSIVELY FOR EXECUTION OF THE PROJECT IDENTIFIED WITHIN THESE DOCUMENTS. CONTEMPORANEOUSLY WITH ITS ISSUE DATE THIS DRAWING MAY NOT BE USED ON OTHER PROJECTS OR FOR ADDITIONS TO THE PROJECT OUTSIDE THE SCOPE OF WORK WITHOUT WRITTEN CONSENT OF THE OWNER, ARCHITECT, AND THE ARCHITECT'S CONSULTANTS. THE ARCHITECT AND THE ARCHITECT'S CONSULTANTS ARE THE AUTHORS AND OWNERS OF THEIR RESPECTIVE DRAWINGS AND SPECIFICATIONS, AND RETAIN ALL COMMON LAW, STATUTORY, AND OTHER RIGHTS, INCLUDING COPYRIGHTS.

ISSUES / REVISIONS	DATE	DESCRIPTION

ISSUE DATE: 02/14/2023
PROTO CYCLE: Q2 2022
CHECKED BY: LJW/DW
DRAWN BY: LW

SHEET NAME
COVER SHEET

SHEET NUMBER
CS

CODE REVIEW

APPLICABLE CODES: ALL WORK UNDER THIS CONTRACT SHALL COMPLY WITH THE PROVISIONS OF THE SPECIFICATIONS AND DRAWINGS, AND SHALL SATISFY ALL APPLICABLE CODES, ORDINANCES AND REGULATIONS OF ALL GOVERNING BODIES INVOLVED. ALL PERMITS AND LICENSES NECESSARY FOR THE PROPER EXECUTION OF THE WORK SHALL BE SECURED AND PAID FOR BY THE CONTRACTOR INVOLVED. APPLICABLE CODES INCLUDE, BUT ARE NOT LIMITED TO THE FOLLOWING:

APPLICABLE CODES:

Building	2015 International Building Code
Mechanical	2015 International Mechanical Code
Plumbing	2015 International Plumbing Code
Fire	2015 International Fire Code
Electrical	2017 National Electrical Code
Energy	2015 International Energy Conservation Code
Accessibility	2009 TAS

BUILDING DATA:

	PROPOSED	ALLOWED
Use Group	A-2 (ASSEMBLY)	
Type of Construction	V-B (UNPROTECTED)	
Mixed-Use	NON-SEPARATED MIXED USE	
No. of Stories	1 STORY / BLDG HEIGHT: 21'-11 1/2"	1 STORY / BLDG HEIGHT: 40'-0"
Gross Square Footage	3,570 SQ FT	ALLOWED AREA PER FLOOR: 6,000 SF
Code Square Footage	2,835 SF BLDG + 500 SF PATIO	

OCCUPANT LOAD:

OCCUPANCY	AREA	AREA PER OCCUPANT	OCCUPANT LOAD
ASSEMBLY - STANDING	51 SF	5 SF	11
ASSEMBLY - UNCONCENTRATED	637 SF	15 SF	43
ASSEMBLY - CONCENTRATED	72 LF	2 LF	36
BUSINESS	37 SF	100 SF	1
KITCHEN	859 SF	200 SF	5
STORAGE	539 SF	300 SF	2
NET TOTAL	2,195SF		98

FIRE RESISTANCE SUMMARY:

	RATING (HOURS)
Structural Frame	0 HR
Exterior Bearing Walls	0 HR
Interior Bearing Walls	0 HR
Exterior Nonbearing Walls	0 HR
Interior Nonbearing Walls	0 HR
Roof Construction	0 HR
Corridors	0 HR

MEANS OF EGRESS:

EGRESS WIDTH	FACTOR	REQUIRED INCHES	PROVIDED INCHES
STAIRWAYS	.3	N/A	N/A
DOORS, RAMPS, CORRIDORS	.2	32"	239"

EXIT ACCESS REQUIREMENTS	REQUIRED	PROVIDED
MINIMUM NUMBER OF EXITS	2	4
MINIMUM CORRIDOR WIDTH	44"	48"
MINIMUM EXIT SEPARATION	25'-7"	42'-10"
MAXIMUM LENGTH OF ACCESS TRAVEL	200'	55'-1"
MAXIMUM LENGTH OF DEAD END	20'	20'-0"
MAX LENGTH COMMON PATH OF EGRESS	75'	24'-7"

INTERIOR FINISH FLAME SPREAD CLASS:

	WALLS/CEILINGS
Exit Passageways	B
Corridors	B
Rooms and Enclosed Spaces	C

SEATING & PARKING PROVIDED:

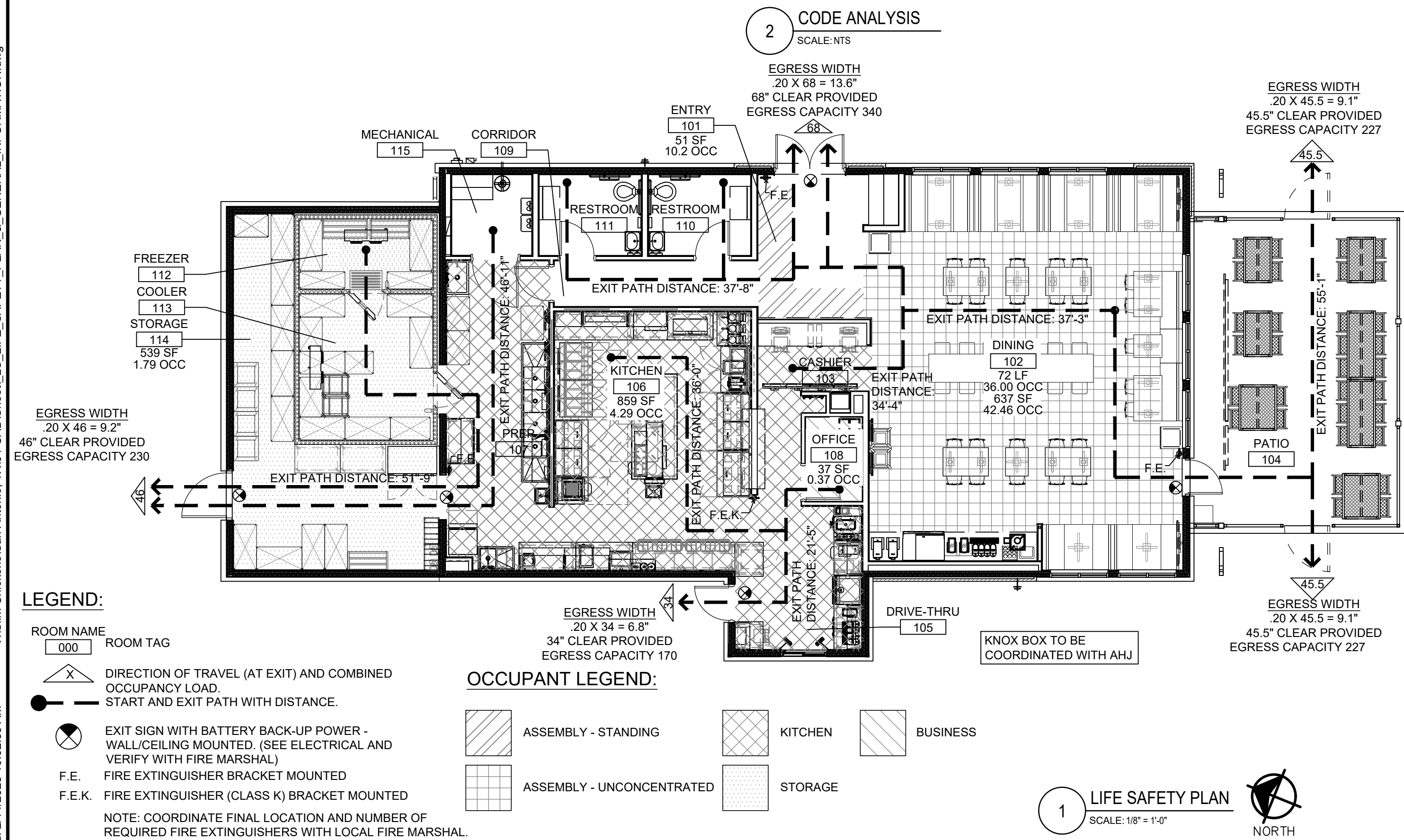
INTERIOR SEATING PROVIDED	64
EXTERIOR SEATING PROVIDED	32
PARKING SPOTS PROVIDED	33

SEISMIC CATEGORY

A

PLUMBING FIXTURE COUNT:

FIXTURE TYPE	TOTAL OCCUPANT LOAD:		MEN: 49		WOMEN: 49	
	FACTOR	REQUIRED	REQUIRED	PROVIDED	REQUIRED	PROVIDED
WATER CLOSET	1 PER 75	1	1	1	1	1
URINALS	50% MAY BE URINAL	N/A	0	N/A	N/A	N/A
LAVATORIES	1 PER 200	1	1	1	1	1
UNISEX TOILET (REQUIRED IF 6 OR MORE WC ARE REQUIRED)	N/A	N/A	N/A	N/A	N/A	N/A
SERVICE SINK	1 REQUIRED/1 PROVIDED	N/A	N/A	N/A	N/A	N/A
DRINKING FOUNTAIN	NOT REQUIRED PER 410.1	N/A	N/A	N/A	N/A	N/A

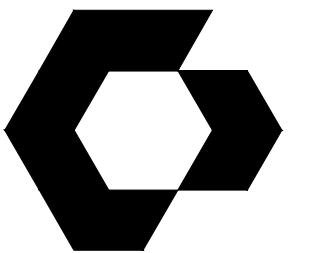


GENERAL NOTES

- GENERAL CONTRACTOR TO SCHEDULE THE ANSUL SYSTEM
- USE OWNER SPECIFIED VENDOR FOR ELECTRICAL PANELS AND SWITCHGEAR
- USE OWNER SPECIFIED VENDOR FOR INTERIOR AND EXTERIOR LIGHTING
- USE OWNER SPECIFIED VENDOR FOR SITE LIGHT POLES

RESPONSIBILITY SCHEDULE

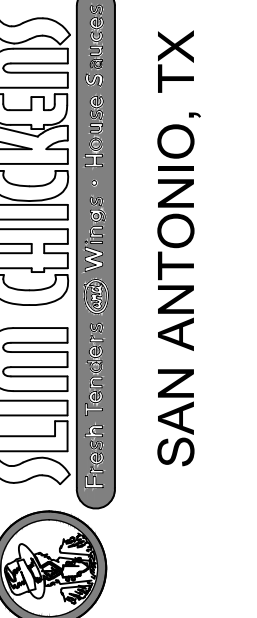
DIVISION	GENERAL CONTRACTOR		OWNER		LANDLORD	
	FURNISH	INSTALL	FURNISH	INSTALL	FURNISH	INSTALL
DIVISION 2						
	SITE DEMOLITION					
	SITE WORK					
	LANDSCAPING AND IRRIGATION					
	SWPPP					
	BUILDING PAD AND PARKING LOT COMPACTION					
	SITE UTILITIES AND REQUIRED TESTING					
DIVISION 3						
	FOOTINGS AND SLAB					
	DUMPSTER FOOTINGS, SLAB AND APRON					
	CURB AND GUTTER, SIDEWALKS AND PATIO					
	MENU BOARD CAGES					
	LIGHT POLE BASES					
	SLAB, PARKING LOT, CURB AND SIDEWALK EXPANSION JOINTS					
	SITE CANOPY FOOTINGS					
DIVISION 4						
	BUILDING AND DUMPSTER BRICK AND MASONRY					
	FLASHINGS AND WEEPS					
	MORTAR NET					
	EXPANSION JOINTS CAULK					
DIVISION 5						
	COOLER/FREEZER ENCLOSURE FENCE POSTS					
	DUMPSTER ENCLOSURE GATE POSTS					
	STRUCTURAL STEEL					
	BOLLARDS					
DIVISION 6						
	WOOD FRAMING					
	TRUSSES					
	ROOF DECKING AND SHEATHING					
	COMPOSITE DECKING AT FRONT SIGN BACKER AND DUMPSTER GATE					
	WOOD BLOCKING					
	FIRE BLOCKING					
DIVISION 7						
	INSULATION					
	R PANEL ROOFING					
	SINGLE PLY ROOFING, ROOF PADS AND ACCESSORIES					
	GUTTERS AND DOWNSPOUTS					
	WATERPROOFING					
	COPINGS AND FLASHINGS					
DIVISION 8						
	GLAZING					
	DOORS					
	STOREFRONT					
	DOOR HARDWARE					
	STAINLESS STEEL PASS THRU WINDOW					
	DRIVE THRU WINDOW					
	DOOR/WINDOW SEALANTS AND FLASHINGS					
DIVISION 9						
	INTERIOR WALL SHEATHING					
	FRP AND TRIM					
	STAINLESS STEEL WALL PANELS (BEHIND HOOD)					
	STAINLESS STEEL WALL PANELS (NOT BEHIND HOOD)					
	STAINLESS STEEL TRIM AROUND OPENINGS TO FREEZER/COOLER					
	CEILING GRID AND PANELS					
	MILLWORK					
	PENETRATIONS IN MILLWORK FOR DRAIN LINES, POWER AND DATA, AND CUP HOLDERS					
	PAINTS, STAINS AND SEALERS					
	WALL TILE AND BACKSPLASHES					
	WALL BASE					
	RESINOUS FLOORING					
DIVISION 10						
	FIRE EXTINGUISHERS					
	BABY CHANGING STATIONS					
	PANEL SIGNAGE					
	METAL CANOPIES					
	TOILET ACCESSORIES					
	SITE CANOPIES					
DIVISION 11						
	KITCHEN EQUIPMENT					
	GREASE RECOVERY TANK					
	GREASE RECOVERY PIPING					
DIVISION 12						
	FURNISHINGS					
	SIMULATED COUNTERTOPS					
DIVISION 15						
	COOLER/FREEZER					
	COOLER/FREEZER CONDENSERS, DRAIN LINES AND REFRIGERATION LINES					
DIVISION 22						
	UNDERGROUND PLUMBING, DRAINS AND FLOOR SINKS					
	PLUMBING ROUGH IN					
	RPZ'S					
	EXTERIOR HOSE BIBS					
	KITCHEN SINKS					
	FAUCETS					
	GAS LINES					
	WATER CLOSETS AND LAVATORIES					
	WATER HEATERS					
DIVISION 23						
	THERMOSTATS					
	RTU'S					
	MAU					
	KITCHEN EXHAUST FAN					
	RESTROOM EXHAUST FAN					
	AIR CURTAINS					
	GREASE DUCT					
	DIFFUSERS					
	SENSORS					
	TEST AND BALANCE REPORT					
	KITCHEN HOOD					
	ANSUL SYSTEM					
	DUCTWORK					
DIVISION 26						
	SITE POWER UTILITIES AND PERMANENT POWER					
	POWER FOR SITE SIGNAGE AND LIGHT POLES					
	TEMPORARY POWER TO SITE AND JOB TRAILER					
	UNDERSLAB CONDUIT					
	CONDUIT FOR TELEPHONE AND CABLE					
	ELECTRICAL PANELS AND SWITCH GEAR					
	WIRING AND CONDUIT					
	ELECTRICAL AND DATA ROUGH IN BOXES					
	LOW VOLTAGE WIRING					
	AUDIO AND VISUAL SYSTEMS					
	INTERIOR AND EXTERIOR LIGHTING					
	SITE LIGHT POLES					
	CONDUIT FOR BUILDING WALL SIGNAGE					
	CONDUIT FOR DRIVE THRU LOOP AND MENU BOARDS					
	METAL LIGHTING CLOUD					



CYNERGY
810 S CINCINNATI AVE, STE 200
TULSA, OK 74119
918.877.6000



DOCUMENTS WITHOUT SIGNATURE AND REQUIRED SEAL OF AOR / EOR ARE NOT FOR CONSTRUCTION.



THIS DRAWING WAS PREPARED SOLELY AND EXCLUSIVELY FOR EXECUTION OF THE PROJECT IDENTIFIED WITHIN THESE DOCUMENTS. CONTEMPORANEOUSLY WITH ITS ISSUE DATE THIS DRAWING MAY NOT BE USED ON OTHER PROJECTS OR FOR ADDITIONS TO THE PROJECT OUTSIDE THE SCOPE OF WORK WITHOUT WRITTEN CONSENT OF THE OWNER, ARCHITECT, AND THE ARCHITECT'S CONSULTANTS. THE ARCHITECT AND THE ARCHITECT'S CONSULTANTS ARE THE AUTHORS AND OWNERS OF THEIR RESPECTIVE DRAWINGS AND SPECIFICATIONS, AND RETAIN ALL COMMON LAW, STATUTORY, AND OTHER RIGHTS, INCLUDING COPYRIGHTS.

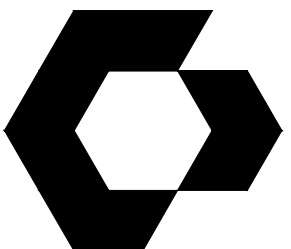
ISSUES / REVISIONS

NO.	DATE	DESCRIPTION

ISSUE DATE: 02/14/2023
PROTO CYCLE: Q2 2022
PROTO SIZE: B1L
CHECKED BY: LJW/DW
DRAWN BY: LW

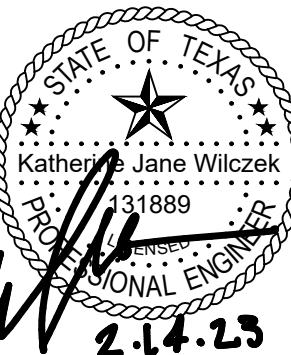
SHEET NAME
LIFE SAFETY PLAN & GENERAL INFORMATION

SHEET NUMBER
LS



CYNERGY
810 S CINCINNATI AVE, STE 200
TULSA, OK 74119
918.877.6000

CYNERGY ENGINEERING, PLLC
LICENSE # F-2220
EXPIRES 11/30/2023



KATHERINE JANE WILCZEK, P.E.
ENGINEER OF RECORD

DOCUMENTS WITHOUT
SIGNATURE AND REQUIRED SEAL
OF AOR / EOR ARE NOT FOR
CONSTRUCTION.

SLIM CHICKENS
SAN ANTONIO, TX

THIS DRAWING WAS PREPARED SOLELY AND EXCLUSIVELY FOR THE EXECUTION OF THE PROJECT IDENTIFIED WITHIN THESE DOCUMENTS. CONTEMPORANEOUSLY WITH ITS ISSUE DATE THIS DRAWING MAY NOT BE USED ON OTHER PROJECTS OR FOR ADDITIONS TO THE PROJECT OUTSIDE THE SCOPE OF WORK WITHOUT WRITTEN CONSENT OF THE OWNER, ARCHITECT, AND THE ARCHITECT'S CONSULTANTS. THE ARCHITECT AND THE ARCHITECT'S CONSULTANTS ARE THE AUTHORS AND OWNERS OF THEIR RESPECTIVE DRAWINGS AND SPECIFICATIONS, AND RETAIN ALL COMMON LAW, STATUTORY, AND OTHER RIGHTS, INCLUDING COPYRIGHTS.

ISSUES / REVISIONS

NO.	DATE	DESCRIPTION

ISSUE DATE: 02/07/2023
PROTO CYCLE: Q2 2022
PROTO SIZE: B1L
CHECKED BY: KJW
DRAWN BY: REA

SHEET NAME

**STRUCTURAL
GENERAL NOTES
AND DETAILS**

SHEET NUMBER

S0.1

STRUCTURAL STEEL

- STRUCTURAL STEEL SHALL BE DETAILED, DESIGNED, FABRICATED AND ERECTED IN ACCORDANCE WITH THE REQUIREMENTS OF AISC SPECIFICATION FOR THE DESIGN, FABRICATION, AND ERECTION OF STRUCTURAL STEEL BUILDINGS, AISC MANUAL OF STEEL CONSTRUCTION (ALLOWABLE STRESS DESIGN), AISC CODE OF STANDARD PRACTICE FOR STEEL BUILDINGS AND BRIDGES, AND THE AWS STRUCTURAL WELDING CODE. ALL CODES AND MANUALS SHALL BE THE LATEST ADOPTED EDITIONS.
- STRUCTURAL STEEL SHALL CONFORM TO THE FOLLOWING ASTM DESIGNATIONS:

WIDE FLANGE SHAPES A992 (F_y=50 KSI)
CHANNELS, ANGLES, PLATES, ETC. A36 (F_y=36 KSI)
STRUCTURAL PIPE A53 TYPE B GRADE B (F_y=35 KSI)
BOLTS A325 OR A490
WELDING ELECTRODES E70XX
HARDENED STEEL WASHERS ASTM F436
HOLLOW STRUCTURAL SECTIONS (HSS) A500 GRADE C (F_y = 46 KSI)
- CONNECTION MATERIALS FOR STRUCTURAL STEEL SHALL CONFORM TO THE FOLLOWING DESIGNATIONS:

BEAM OR COLUMN STIFFENER PLATES SHALL BE OF THE SAME GRADE OF STEEL AS THE STRUCTURAL ELEMENT.

ALL BOLTED CONNECTIONS ARE TO BE ERECTED WITH HIGH STRENGTH BOLTS, ASTM A325 OR ASTM A490, WITH BEARING TYPE "N" ALLOWABLE LOADS EXCEPT FOR BRACE CONNECTIONS WHICH ARE SLIP CRITICAL CONNECTIONS.

ALL BEAM TO BEAM AND COLUMN TO BEAM CONNECTIONS SHALL BE BOLTED UNLESS NOTED OTHERWISE.

ALL WELDING SHALL BE IN ACCORDANCE WITH THE AMERICAN WELDING SOCIETY (AWS) STANDARD D11. ALL WELDING SHALL BE PERFORMED BY WELDERS CERTIFIED IN THE TYPE OF WELD REQUIRED USING E70XX ELECTRODES OR IN A CERTIFIED SHOP TO DO SUCH WORK.

MINIMUM SIZE AND STRENGTH OF WELDS SHALL CONFORM TO THE FOLLOWING REQUIREMENTS.

PROVIDE MINIMUM SIZE OF FILLET WELDS AS SPECIFIED IN TABLE J2.4 OF THE AISC MANUAL.

PROVIDE THE MINIMUM EFFECTIVE THROAT THICKNESS OF PARTIAL PENETRATION GROOVE WELDS AS SPECIFIED IN TABLE J2.3 OF THE AISC MANUAL.

DEVELOP THE FULL TENSILE STRENGTH OF THE MEMBER ELEMENT JOINED, WITH SHOP AND FIELD WELDS, UNLESS OTHERWISE NOTED ON THE CONSTRUCTION DOCUMENTS.

WHERE CONNECTIONS ARE NOTED ON CONSTRUCTION DOCUMENTS AS FULL MOMENT CONNECTIONS, PROVIDE WELDS TO DEVELOP THE FULL FLEXURAL CAPACITY OF THE LEAST CAPACITY MEMBER OF THE CONNECTION.
- ALL STRUCTURAL STEEL EXPOSED TO THE WEATHER IS TO BE HOT-DIP GALVANIZED. PROVIDE BOLTS, NUTS AND WASHERS THAT ARE HOT-DIP GALVANIZED ACCORDING TO ASTM A153, CLASS C.
- ALL NEW STRUCTURAL STEEL SHALL BE PAINTED IN ACCORDANCE WITH THE SPECIFICATIONS.
- SPLICING OF STRUCTURAL STEEL MEMBERS IS NOT ALLOWED UNLESS SPECIFICALLY DETAILED ON THESE PLANS.
- DO NOT FIELD CUT ANY STRUCTURAL STEEL MEMBERS IN CONFLICT WITH THE WORK WITHOUT APPROVAL BY THE ENGINEER OR UNLESS SPECIFICALLY SHOWN ON THE CONSTRUCTION DOCUMENTS.
- PROVIDE HARDENED STEEL WASHERS CONFORMING TO ASTM F436 FOR CONNECTIONS WITH STANDARD AND SHORT-SLOTTED HOLES. FOR LONG SLOTTED HOLES, PROVIDE STRUCTURAL-GRADE STEEL 3/8" PLATE WASHERS OR CONTINUOUS BARS. IN ALL CASES, WASHER OR PLATE MUST BE OF SUFFICIENT SIZE TO COVER THE HOLE OR SLOT.
- ALL HOLES IN STEEL MEMBERS SHALL BE DRILLED OR PUNCHED. TORCH CUT HOLES ARE NOT ALLOWED.
- ERECT AND MAINTAIN TEMPORARY BRACING TO ENSURE THE ALIGNMENT AND STABILITY OF THE STRUCTURE DURING CONSTRUCTION UNTIL PERMANENT CONDITIONS HAVE BEEN COMPLETED.
- PROVIDE 1 1/2 INCHES OF NON-SHRINK GROUT UNDER ALL COLUMN BASE PLATES. NON-SHRINK GROUT SHALL BE NONMETALLIC WITH A MINIMUM COMPRESSIVE STRENGTH OF 5,000 PSI AT 28 DAYS.
- SHOP DRAWINGS ARE REQUIRED TO BE REVIEWED PRIOR TO FABRICATION.

ABBREVIATIONS LIST

&	AND	FTG	FOOTING/FOUNDATION
@	AT	GC	GENERAL CONTRACTOR
°	DEGREES	GALV	GALVANIZED
=	EQUALS	GYP	GYPHUM
-	FEET	HORIZ	HORIZONTAL
>	GREATER THAN	IN	INCHES
>=	GREATER THAN OR EQUAL TO	JT	JOINT
"	INCHES	LF	LINEAR FEET
<	LESS THAN	LB	POUND
<=	LESS THAN OR EQUAL TO	LLH	LONG LEG HORIZONTAL
-	MINUS, NEGATIVE	LLV	LONG LEG VERTICAL
+	PLUS	MBM	METAL BUILDING MANUFACTURER
±	PLUS OR MINUS	MEP	MECHANICAL ELECTRICAL PLUMBING
AFF	ABOVE FINISHED FLOOR	MAX	MAXIMUM
ALT	ALTERNATE	MIN	MINIMUM
ARCH	ARCHITECT	MISC	MISCELLANEOUS
BLDG	BUILDING	NA	NOT APPLICABLE
BM	BEAM	NS	NEAR SIDE
BOS	BOTTOM OF STEEL	NS	NOT TO SCALE
BOT	BOTTOM	Ø	DIAMETER
CJ	CONTROL/CONSTRUCTION JOINT	PEMB	PRE-ENGINEERED METAL BUILDING
CL	CENTER LINE	PEN	PENETRATION
CMU	CONCRETE MASONRY UNIT	PL	PLATE
CLS	CEILING	PSF	POUNDS PER SQUARE FOOT
CLR	CLEAR	PSI	POUNDS PER SQUARE INCH
COL	COLUMN	R	RADIUS
CONC	CONCRETE	RBE	RAFTER BEARING ELEVATION
CONT	CONTINUOUS	REF	REFER TO
COORD	COORDINATE	REQ	REQUIRED
CTR	CENTER	SF	SQUARE FEET
DIA	DIAMETER	SIM	SIMILAR
DN	DOWN	SPA	SPACING
DWG	DRAWING	SPEC	SPECIFICATION
EQ	EQUA	SQ	SQUARE
EOR	ENGINEER OF RECORD	TBE	TRUSS BEARING ELEVATION
EA	EACH	TOC	TOP OF CONCRETE
EL	ELEVATION	TOF	TOP OF FOOTING
ELEV	ELEVATION	TOS	TOP OF STEEL
ENG	ENGINEER	TOW	TOP OF WALL
EQ	EQUA	THRU	THROUGH
EQUIP	EQUIPMENT	TYP	TYPICAL
ETC	ET CETERA	ULT	ULTIMATE LEVEL FORCE
EXIST	EXISTING	UNO	UNLESS NOTED OTHERWISE
EXT	EXTERIOR	VERT	VERTICAL
FA	FACE	WORK	WORKING LEVEL FORCE
FBE	FOOTING BEARING ELEVATION	WWF	WELDED WIRE FABRIC
FFE	FINISHED FLOOR ELEVATION	WT	WEIGHT
FS	FAR SIDE	W/	WITH
FT	FOOT/FEET	WO	WITHOUT

CONCRETE

- CONCRETE SHALL HAVE A MINIMUM 28 DAY COMPRESSIVE STRENGTH IN ACCORDANCE WITH THE FOLLOWING:

SLABS 4000 PSI
CONCRETE FOOTINGS 3000 PSI
ALL OTHER CONCRETE 3000 PSI
- CALCIUM CHLORIDE IS NOT TO BE USED AS AN ADMIXTURE. ALL ADMIXTURES SHALL BE FREE OF ALL CHLORIDES.
- PROVIDE CONCRETE MIX DESIGN MEETING ACI 318 FOR REVIEW PRIOR TO IMPLEMENTATION FOR EACH DIFFERENT MIX.
- CONCRETE SHALL BE AIR-ENTRAINED WITH AN AIR CONTENT BETWEEN 5 AND 8 PERCENT.
- CONCRETE MIX DESIGN FOR CONCRETE SLABS ON GRADE SHALL CONTAIN A WATER REDUCING AND DENSIFYING ADMIXTURE TO REDUCE THE PERMEABILITY OF THE CONCRETE.
- PORTLAND CEMENT SHALL CONFORM TO ASTM C150 TYPE I OR II LOW ALKALI UNLESS NOTED OTHERWISE. AGGREGATE FOR REGULAR WEIGHT CONCRETE SHALL CONFORM TO ASTM C33.
- REINFORCING BARS, ANCHOR BOLTS, AND OTHER CONCRETE INSERTS SHALL BE WELL SECURED IN POSITION PRIOR TO PLACEMENT OF CONCRETE. STABBING OF REINFORCING BARS, ANCHOR BOLTS, AND OTHER CONCRETE INSERTS IS NOT ALLOWED.
- COORDINATE WITH OTHER TRADES TO ENSURE THE PROPER PLACEMENT OF OPENINGS, SLEEVES, CURBS, INSERTS, DEPRESSIONS, ETC. AS SHOWN ON CONSTRUCTION DOCUMENTS.
- FOR PLACEMENT OF CONCRETE IN EITHER HOT OR COLD WEATHER CONDITIONS FOLLOW ACI STANDARD PROCEDURES.
- ANCHOR BOLTS SHALL CONFORM TO ASTM F1554 (F_y=36KSI), POST INSTALLED ANCHOR BOLTS ARE NOT PERMITTED. UNO.
- "CJ" INDICATES SAWCUT CONTROL JOINT. "CONST JOINT" INDICATES PREFERRED LOCATIONS FOR CONSTRUCTION JOINTS. IF A CONSTRUCTION JOINT IS NOT REQUIRED BY THE CONTRACTOR, A SAWCUT CONTROL JOINT MAY BE SUBSTITUTED AT THOSE LOCATIONS.
- EPOXY GROUT OR ADHESIVE SHALL BE HILTI HIT-HY 200 SAFE SET SYSTEM ADHESIVE, SIMPSON AT-XP OR EQUIVALENT, UNLESS NOTED OTHERWISE.
- PROVIDE 3/4" CHAMFER AT ALL CORNERS AND EDGES PERMANENTLY EXPOSED TO VIEW.
- REFER TO SPECIFICATIONS FOR FLOOR FINISH AND FLATNESS REQUIREMENTS.
- CONCRETE SCREW ANCHORS SHALL BE HILTI KWIK HUS-EZ OR SIMPSON TITEN HD OR APPROVED EQUAL

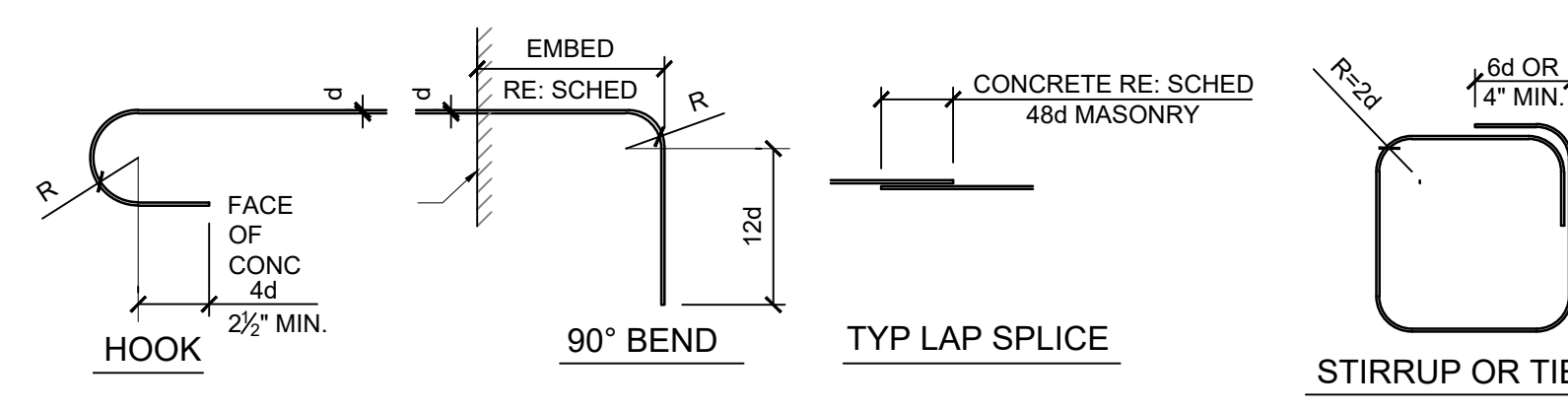
REINFORCING STEEL

- ALL REINFORCING STEEL AND SUPPORTS SHALL BE DESIGNED, DETAILED, FABRICATED AND PLACED IN ACCORDANCE WITH ACI 318 AND ACI 315.
- ALL REINFORCING BARS SHALL BE IN ACCORDANCE WITH ASTM A615 GRADE 60 OR ASTM A706 GRADE 60 FOR WELDED BARS.
- WELDED WIRE REINFORCEMENT SHALL BE NEW BILLET STEEL, COLD DRAWN CONFORMING TO THE ASTM SPECIFICATION A1064 AND A185. LAP WELDED WIRE REINFORCEMENT A MINIMUM OF 12". SUPPLY IN SHEETS ONLY, ROLLS ARE NOT PERMITTED.
- ALL CONCRETE SLAB ON GRADE, RAISED CONCRETE SLAB, AND MAT REINFORCING SHALL BE SUPPORTED ON BOLSTERS OR BRICK SPACED NO FURTHER THAN 4 FEET ON CENTER.
- ALL REINFORCING SHALL BE COLD BENT.
- PROVIDE CLASS B SPLICES IN REINFORCING FOR CONTINUOUS REINFORCING. PROVIDE STANDARD 90 DEGREE HOOKS IN ACCORDANCE WITH ACI 318 UNLESS SPECIFICALLY DETAILED. REFER TO CONSTRUCTION DOCUMENTS FOR REQUIRED LAP LENGTHS. PROVIDE CONTINUOUS HORIZONTAL WALL AND CONTINUOUS FOOTING REINFORCEMENT WITH 90 DEGREE BENDS AT CORNERS AND INTERSECTIONS AS SHOWN ON CONSTRUCTION DOCUMENTS.
- MAINTAIN THE FOLLOWING REINFORCEMENT COVERAGE FOR REINFORCING STEEL UNLESS NOTED OTHERWISE.

CONCRETE CAST AGAINST SOIL: 3 INCHES

CONCRETE EXPOSED TO WEATHER:
NO. 6 AND LARGER 2 INCHES
NO. 5 AND SMALLER 1 1/2 INCHES

CONCRETE NOT EXPOSED TO WEATHER OR IN CONTACT WITH SOIL
NO. 11 AND SMALLER 1 INCH WALL AND 1 1/2 INCH SLAB



3000 PSI CONCRETE REINFORCING LAP SPLICE AND 90 DEGREE HOOK LENGTHS SCHEDULE:				4000 PSI CONCRETE REINFORCING LAP SPLICE AND 90 DEGREE HOOK LENGTHS SCHEDULE:			
SIZE	TYP LAP LENGTH(IN)	TOP BAR LAP LENGTH(IN)*	MIN. EMBEDMENT FOR STD. 90 DEG HOOK(IN)	SIZE	TYP LAP LENGTH(IN)	TOP BAR LAP LENGTH(IN)*	MIN. EMBEDMENT FOR STD. 90 DEG HOOK(IN)
#3	32	42	9	#3	28	37	8
#4	43	56	11	#4	37	48	10
#5	54	70	14	#5	47	61	12
#6	64	84	17	#6	56	73	15
#7	94	122	20	#7	81	106	17
#8	107	139	22	#8	93	121	19
#9	121	157	25	#9	105	137	22

*REFERS TO REINFORCING WITH MORE THAN 12 INCHES OF CONCRETE PLACED BELOW.



GENERAL

- CONTRACTOR IS RESPONSIBLE FOR PROVIDING ADEQUATE TEMPORARY SUPPORT AND STABILITY OF STRUCTURE DURING ALL PHASES OF CONSTRUCTION.
- COORDINATE ALL DIMENSIONS WITH FLOOR PLAN; NOTIFY THE ARCHITECT/ENGINEER OF ANY CONFLICTS PRIOR TO CONSTRUCTION.
- COORDINATE THE EXACT SIZE AND LOCATION OF ALL SLEEVES AND OPENINGS THROUGH CONCRETE, MASONRY, OR STUD WALLS AND CONCRETE FLOORS WITH ARCHITECTURAL, MECHANICAL, PLUMBING AND ELECTRICAL DRAWINGS.
- SHOP DRAWINGS MUST INDICATE CHANGES TO CONSTRUCTION DOCUMENTS. THE CHANGES MUST BE CLEARLY IDENTIFIED. THE ARCHITECT/ENGINEER SHALL NOT BE RESPONSIBLE FOR CHANGES SHOWN ON SHOP DRAWINGS. THE CONTRACTOR IS RESPONSIBLE FOR ANY AND ALL CHANGES TO THE DESIGN PROVIDED ON SHOP DRAWINGS. THE ARCHITECT/ENGINEER SHALL NOT BEAR THE COSTS OF SUCH REVIEWS OR REDESIGN.
- PROJECT SPECIFICATIONS ARE PART OF THE CONSTRUCTION DOCUMENTS AND ARE TO BE USED IN CONJUNCTION WITH THE DRAWINGS.
- VERIFY ALL CONDITIONS, EXISTING AND NEW, SHOWN ON THE CONSTRUCTION DOCUMENTS PRIOR TO PROCEEDING WITH WORK. DISCREPANCIES SHALL BE BROUGHT TO THE ATTENTION OF THE ARCHITECT OR ENGINEER IN WRITTEN FORM. THE ARCHITECT/ENGINEER SHALL NOT BE RESPONSIBLE FOR WORK DONE IN THESE AREAS WITHOUT CLARIFICATION IN WRITING FROM THE ARCHITECT/ENGINEER.
- ALL PHASES OF CONSTRUCTION SHALL CONFORM TO THE MINIMUM STANDARDS OF THE BUILDING CODE(S) NOTED IN "DESIGN CRITERIA".
- DIMENSIONS SHOWN ON CONSTRUCTION DOCUMENTS TAKE PRIORITY OVER SCALED DIMENSIONS. IN SOME CASES PLANS AND DETAILS MAY NOT BE DRAWN TO SCALE FOR CLARITY.
- DETAILS LABELED "TYPICAL" ON THESE DRAWINGS APPLY TO SITUATIONS OCCURRING ON THE PROJECT THAT ARE THE SAME OR SIMILAR TO THOSE SPECIFICALLY DETAILED. SUCH DETAILS APPLY WHETHER OR NOT DETAILS ARE REFERENCED AT EACH LOCATION. NOTIFY ENGINEER OF ANY CONDITIONS NOT APPLICABLE TO THESE "TYPICAL" DETAILS.
- DO NOT LOAD THE CONCRETE SLAB ON GRADE WITH ERECTION EQUIPMENT. THE SLABS HAVE NOT BEEN DESIGNED FOR ERECTION EQUIPMENT LOADS. SHOULD THE CONTRACTOR REQUIRE ERECTION EQUIPMENT TO BE PLACED ON SLAB ON GRADE, THE CONTRACTOR SHALL BE RESPONSIBLE FOR THE DESIGN OF THE SLAB IN THE AFFECTED AREAS.
- DO NOT STACK CONSTRUCTION MATERIALS ON FLOORS OR ROOFS DURING CONSTRUCTION IN EXCESS OF 80 PERCENT OF THE DESIGN LIVE LOAD NOTED ON THESE PLANS.
- THESE STRUCTURAL CONSTRUCTION DOCUMENTS ARE TO BE USED IN CONJUNCTION WITH ANY ARCHITECTURAL, MECHANICAL, PLUMBING, ELECTRICAL, FIRE PROTECTION, LANDSCAPE, AND CIVIL CONSTRUCTION DOCUMENTS FOR THIS PROJECT. CONTRACTOR IS RESPONSIBLE FOR IMPLEMENTING THE INFORMATION SHOWN ON ALL REFERENCED PLANS. THE ARCHITECT/ENGINEER SHALL BE NOTIFIED IN WRITING SHOULD DISCREPANCIES IN THE CONSTRUCTION DOCUMENTS BE FOUND PRIOR TO COMMENCING WITH WORK IN THE AREA WHERE THE DISCREPANCY OCCURS. THE ARCHITECT/ENGINEER SHALL NOT BE RESPONSIBLE FOR WORK DONE IN THESE AREAS WITHOUT CLARIFICATION IN WRITING FROM THE ARCHITECT/ENGINEER.
- SUBSTITUTION REQUESTS: APPROVAL FROM THE ARCHITECT/ENGINEER IS REQUIRED PRIOR TO SUBSTITUTING COMPARABLE MATERIALS OR MANUFACTURED OR PRE-ENGINEERED PRODUCTS THAT ARE INDICATED IN THE CONSTRUCTION DOCUMENTS. ALL REQUESTS SHALL BE SUBMITTED TO THE OWNER'S REPRESENTATIVE. ALL NECESSARY INFORMATION REQUIRED TO DETERMINE THE EQUIVALENCY OF THE SUBSTITUTED PRODUCT SUCH AS ICC EVALUATION REPORTS AND TESTING REPORTS SHALL BE PROVIDED. COMPARABLE PRODUCTS SUBMITTED MUST INCLUDE A DETAILED LINE-BY-LINE COMPARISON OF HOW THE SUBMITTED PRODUCT MEETS OR EXCEEDS THE GENERAL DESIGN, PERFORMANCE, AND QUALITY INDICATED IN THE CONSTRUCTION DOCUMENTS. THE MANUFACTURER OR CATALOG NUMBERS SHOWN IN THE CONSTRUCTION DOCUMENTS ESTABLISH A STANDARD FOR THE GENERAL DESIGN, PERFORMANCE, AND QUALITY OF THE PRODUCT REQUIRED. WHERE "OR APPROVED EQUAL" IS INDICATED, OTHER PRODUCTS SIMILAR TO DESIGN AND OF EQUAL QUALITY AND PERFORMANCE, AND COMPLYING WITH THE PLANS AND SPECIFICATIONS MAY BE APPROVED IF FOUND ACCEPTABLE BY THE ARCHITECT/ENGINEER. ALL SUBSTITUTION REQUESTS, INCLUDING "ENGINEER APPROVED EQUALS", FOR EQUIPMENT AND MATERIALS SHALL BE SUBMITTED FOR REVIEW AFTER AWARD IN ACCORDANCE WITH THE CONTRACT DOCUMENTS. UNLESS NOTED OTHERWISE, SUBSTITUTION REQUESTS SHALL BE SUBMITTED WITHIN 14 DAYS AFTER AWARD. THE ARCHITECT/ENGINEER SHALL NOT BEAR THE COSTS FOR REVIEW AND APPROVAL OF ALL REQUESTED SUBSTITUTIONS.
- CONTRACTOR IS RESPONSIBLE FOR MEANS AND METHODS OF CONSTRUCTION, AS WELL AS SEQUENCE OF CONSTRUCTION THAT DOES NOT IMPACT THE FINAL DESIGN AS SHOWN ON CONSTRUCTION DOCUMENTS.
- MECHANICAL UNITS AND OTHER SYSTEMS SHOWN ON THE STRUCTURAL PLANS INDICATE A SPECIFIC WEIGHT AND LOCATION. SHOULD THE CONTRACTOR INSTALL UNITS AND SYSTEMS WITH DIFFERENT WEIGHTS OR LOCATIONS THAN SHOWN, THE CONTRACTOR SHALL PROVIDE THIS INFORMATION TO THE STRUCTURAL ENGINEER FOR APPROVAL PRIOR TO PURCHASING, CLEARLY INDICATING THE DIFFERENCES IN SIZE, WEIGHT AND LOCATION. THE ARCHITECT/ENGINEER SHALL NOT BEAR THE COSTS OF SUCH REVIEWS OR REDESIGNS.

SHALLOW FOUNDATIONS

- THE FOUNDATION DESIGN IS BASED UPON THE GEOTECHNICAL REPORT BY: BURGE ENGINEERING AND ASSOCIATES PROJECT 12-22-0520 DATED:12/01/2022 AND SUPPLEMENT DATED 12/08/2022 WITH THE FOLLOWING RECOMMENDATIONS:

BEARING CAPACITY (TOTAL LOAD) = 2500 PSF
REQUIRED FOOTING WIDTH = 12 INCHES (CONTINUOUS)
30 INCHES (ISOLATED)
REQUIRED BOTTOM OF EXTERIOR FOOTING DEPTH 24 INCHES
- REFER TO CONSTRUCTION DOCUMENTS FOR TOP OF FOOTING ELEVATION AND THICKNESS OF FOOTING TO ESTABLISH BEARING ELEVATIONS.
- CONTRACTOR SHALL PROVIDE TEMPORARY SHORING FOR FOUNDATION WALLS RETAINING BACKFILL UNTIL CONCRETE SLAB ON GRADE IS IN PLACE AND THE CONCRETE HAS REACHED ITS FULL 28 DAY STRENGTH.
- CONTRACTOR SHALL INSTALL ALL UNDERSLAB PIPING AND ELECTRICAL WORK AND RECOMPACT ANY DISTURBED STRUCTURAL FILL BEFORE INSTALLATION OF SLAB.
- PIPES OR CONDUITS THAT PENETRATE FOOTINGS, GRADE BEAMS, WALLS, OR SLABS SHALL BE WRAPPED WITH A MINIMUM OF 1/2 INCH OF COMPRESSIVE MATERIAL. CONTRACTOR SHALL COORDINATE PIPING AND CONDUIT ELEVATIONS THAT ARE PERPENDICULAR TO FOOTINGS OR GRADE BEAMS SO THAT PIPES ARE ABOVE FOOTINGS OR THROUGH THE MIDDLE THIRD OF THE GRADE BEAM DEPTH. AT CONTRACTORS OPTION, PIPES MAY RUN UNDER FOOTINGS OR GRADE BEAMS ENCASED IN CONCRETE SLURRY.
- ALL FOOTINGS MAY BE TRADITIONALLY FORMED OR EARTH FORMED, POURED IN NEAT EXCAVATIONS IF SOIL CONDITIONS AND GEOTECHNICAL REPORT PERMIT.
- DO NOT PLACE CONCRETE UNLESS FOOTING EXCAVATIONS ARE FREE OF ALL WATER, FROST, ICE AND LOOSE SOIL. CONCRETE SHALL BE PLACED AS SOON AS POSSIBLE AFTER EXCAVATION SO THAT EXCESSIVE DRYING OF BEARING MATERIALS DOES NOT OCCUR. BEARING MATERIAL SHALL BE INSPECTED BY A QUALIFIED INDEPENDENT TESTING LAB PRIOR TO PLACEMENT OF CONCRETE.
- REFER TO THE CONSTRUCTION DOCUMENTS FOR PERIMETER INSULATION REQUIREMENTS.
- CONTRACTOR SHALL BE RESPONSIBLE FOR IMPLEMENTING INFORMATION CONTAINED IN THE REFERENCED GEOTECHNICAL REPORT FOR ALL SITE WORK, FOOTING EXCAVATIONS, GRADING, SITE PREPARATION, FILL, COMPACTION, AND ALL FOUNDATION WORK.

DESIGN CRITERIA

- THE STRUCTURAL DESIGN IS BASED ON THE DESIGN REQUIREMENTS OF THE INTERNATIONAL BUILDING CODE, 2015 EDITION.
- ROOF DESIGN LOADS

LIVE LOAD
TOP CHORD 20 PSF
BOTTOM CHORD 10 PSF

DEAD LOADS
TOP CHORD
ROOF MEMBRANE 1 PSF
PLYWOOD 3 PSF
RIGID INSULATION 3 PSF
TRUSSES AND BRIDGING 5 PSF
MISC 3 PSF
TOTAL DEAD LOAD 15 PSF

BOTTOM CHORD
MECHANICAL, ELECTRICAL AND PLUMBING 5 PSF
FIRE PROTECTION 2 PSF
CEILING 2 PSF
MISC 1 PSF
TOTAL DEAD LOAD 10 PSF

SNOW LOADS AND COEFFICIENTS - FLAT AND SHED ROOF
SNOW EXPOSURE FACTOR 1.0
GROUND SNOW 5 PSF
ROOF SNOW 5 PSF
IMPORTANCE FACTOR 1.0
THERMAL FACTOR 1.0
SLOPE FACTOR 1.0
DRIFT SURCHARGE LOAD 2.1 PSF
WIDTH OF SNOW DRIFT 5.8'

SNOW LOADS AND COEFFICIENTS - SLOPED PATIO
SNOW EXPOSURE FACTOR 1.0
GROUND SNOW 5 PSF
ROOF SNOW 5 PSF
IMPORTANCE FACTOR 1.0
THERMAL FACTOR 1.2
SLOPE FACTOR 1.0
- LATERAL LOADS

WIND LOADS AND COEFFICIENTS
ULTIMATE DESIGN WIND VELOCITY 115 MPH
NOMINAL DESIGN WIND VELOCITY 90 MPH
EXPOSURE C
RISK CATEGORY II
INTERNAL PRESSURE COEFFICIENT ±0.18

DESIGN WIND PRESSURES (ULTIMATE)
MWFRS
WALLS 23.2 PSF
PARAPET 67.4 PSF
ROOF RE: 2-S0.2

COMPONENTS & CLADDING
WALLS
TRIBUTARY AREA ≤ 10 FT²
INTERIOR ZONE 28.1 PSF
EXTERIOR ZONE 35.3 PSF
PARAPET - INTERIOR 70.4 PSF
PARAPET - CORNER 70.4 PSF

TRIBUTARY AREA > 500 FT²
INTERIOR ZONE 22.1 PSF
EXTERIOR ZONE 45.1 PSF
PARAPET - INTERIOR 45.1 PSF
PARAPET - CORNER 45.1 PSF

ROOF UPLIFT RE: 1-S0.2

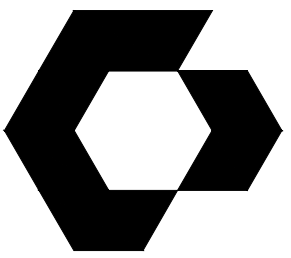
SEISMIC DESIGN
RISK CATEGORY II
I_e 1.0
S_s 0.07
S₁ 0.025
SITE CLASS D
S_{ps} 0.074
S_{1p} 0.039
SEISMIC DESIGN CATEGORY A

- BASIC SEISMIC FORCE RESISTING SYSTEM:
LIGHT FRAMED WALLS SHEATHED WITH WOOD SHEAR PANELS RATED FOR SHEAR RESISTANCE
ANALYSIS PROCEDURE:
EQUIVALENT LATERAL FORCE PROCEDURE
DESIGN BASE SHEAR 1.1 K
C_s 0.012
R 6.5

WOOD FRAMING CONSTRUCTION (PHOTO VERIFICATION REQUIRED)	*SHEATHING INSTALLATION	
	PRE	POST
VERIFY SPECIFIED LUMBER SIZE AND GRADE	X	
VERIFY SILL PLATE CONTINUITY, CONNECTOR TYPE, AND SPACING	X	
VERIFY WALL FRAMING SPACING AND SPECIFIED QUANTITY OF JACK AND KING STUDS AT EACH OPENING	X	
VERIFY ALL WALL AND ROOF FRAMING BLOCKING IS INSTALLED AND SHEATHING NAILED TO BLOCKING AS SPECIFIED	X	
VERIFY ADDITIONAL BLOCKING AT ROOF FRAMING TO WALL, CANOPY TO WALL, ETC. FOR SHEAR TRANSFER IS INSTALLED PER PLANS AND DETAILS	X	
VERIFY DRAG STRUTS AS SPECIFIED PER DETAIL	X	
VERIFY RTU SUPPORT FRAMING AND BLOCKING	X	
VERIFY TYPE, MANUFACTURER, AND SPACING OF ALL SPECIFIED HOLD-DOWNS, SHEAR CONNECTORS, HURRICANE CLIPS, ETC. AND NUMBER AND SIZE OF CONNECTORS ARE INSTALLED INCLUDING SPECIFIED ANCHORS - SEE POST-INSTALLED ANCHORS	X	
INSPECT WALL (EACH SHEAR WALL) AND ROOF SHEATHING FOR THICKNESS AND CONNECTOR SPACING INCLUDING ANY SHEAR TRANSFER STRUTS		X

*CONTRACTOR SHALL SEND PHOTO VERIFICATION OF WOOD FRAMING CONSTRUCTION TO STRUCTURAL ENGINEER OF RECORD PRIOR TO FOLLOWING SHEATHING INSTALLATION AS INDICATED ABOVE.

Pinned: 2/10/2023 11:08:49 AM V:\Slim_Chickens\San Antonio, TX\04-CAD\Sheets\01-STRUCTURAL_GENERAL_NOTES.dwg



CYNERGY
810 S CINCINNATI AVE, STE 200
TULSA, OK 74119
918.877.6000

CYNERGY ENGINEERING, PLLC
LICENSE # F-2220
EXPIRES 11/30/2023

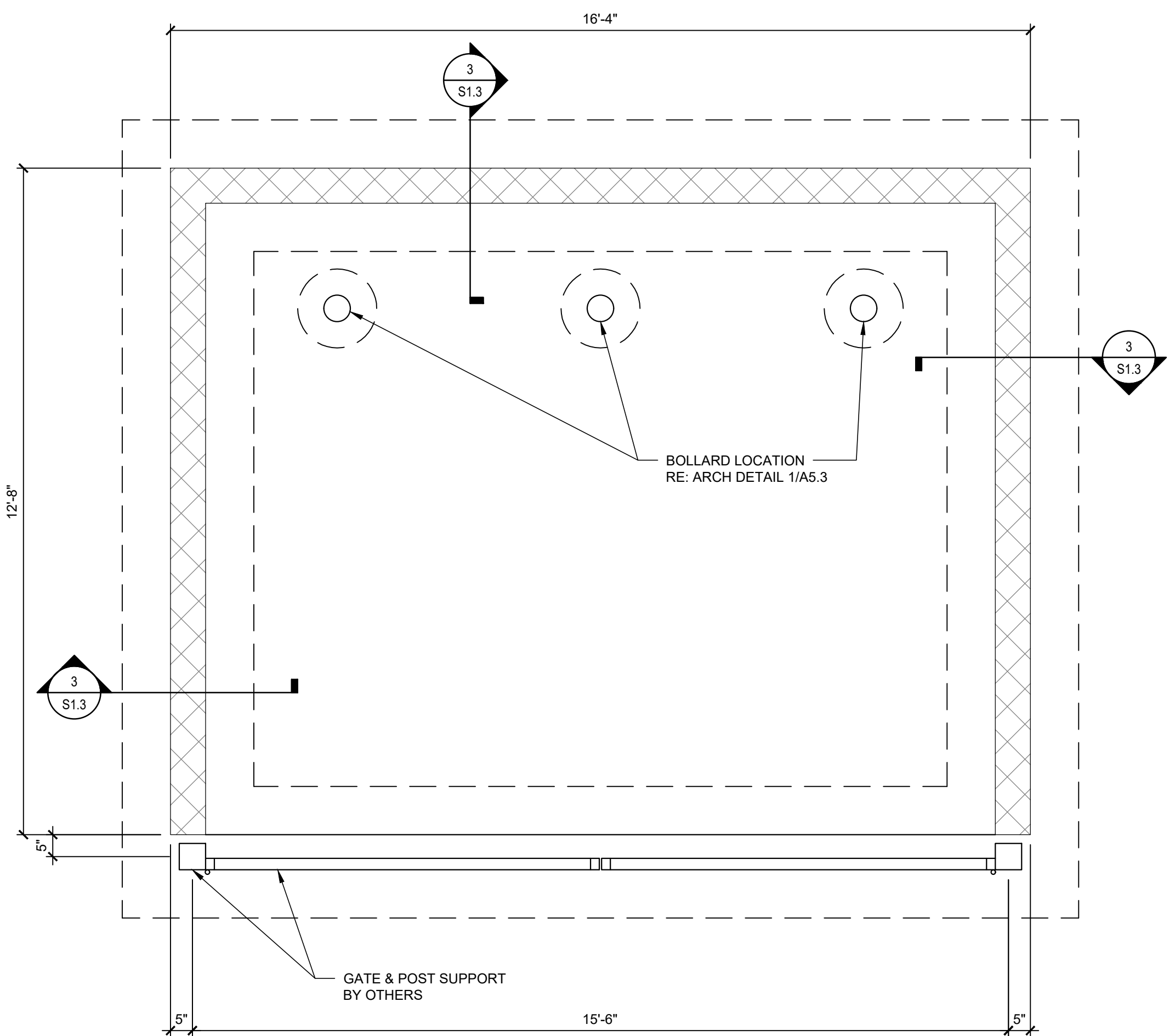


KATHERINE JANE WILCZEK, P.E.
ENGINEER OF RECORD

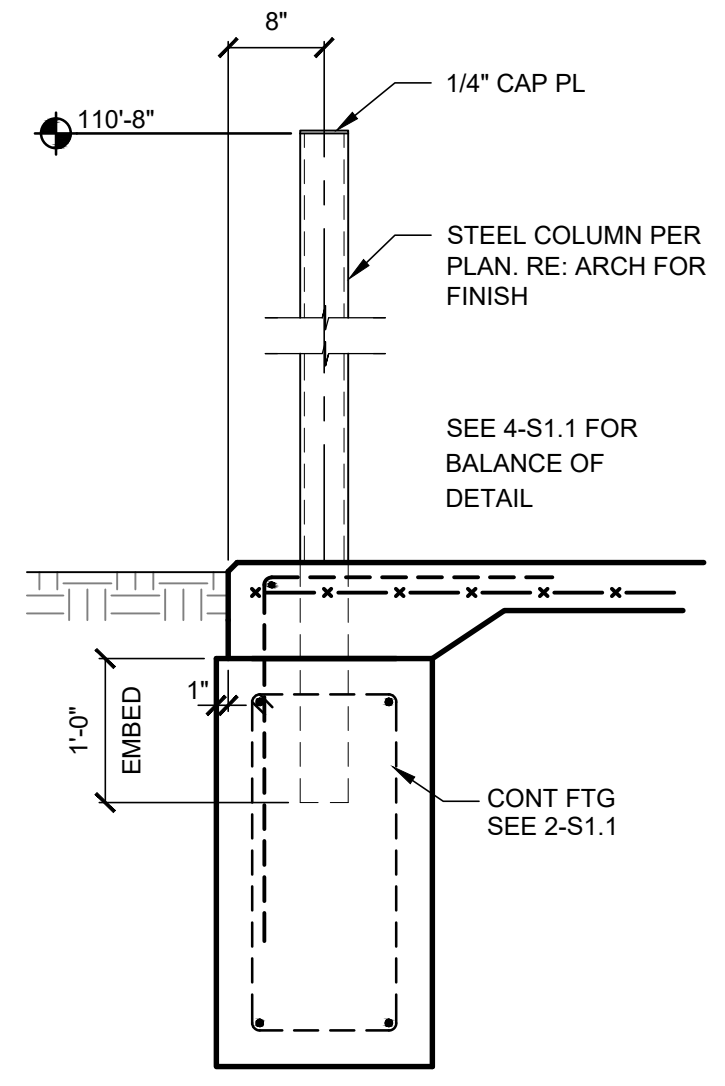
DOCUMENTS WITHOUT
SIGNATURE AND REQUIRED SEAL
OF AOR / EOR ARE NOT FOR
CONSTRUCTION.



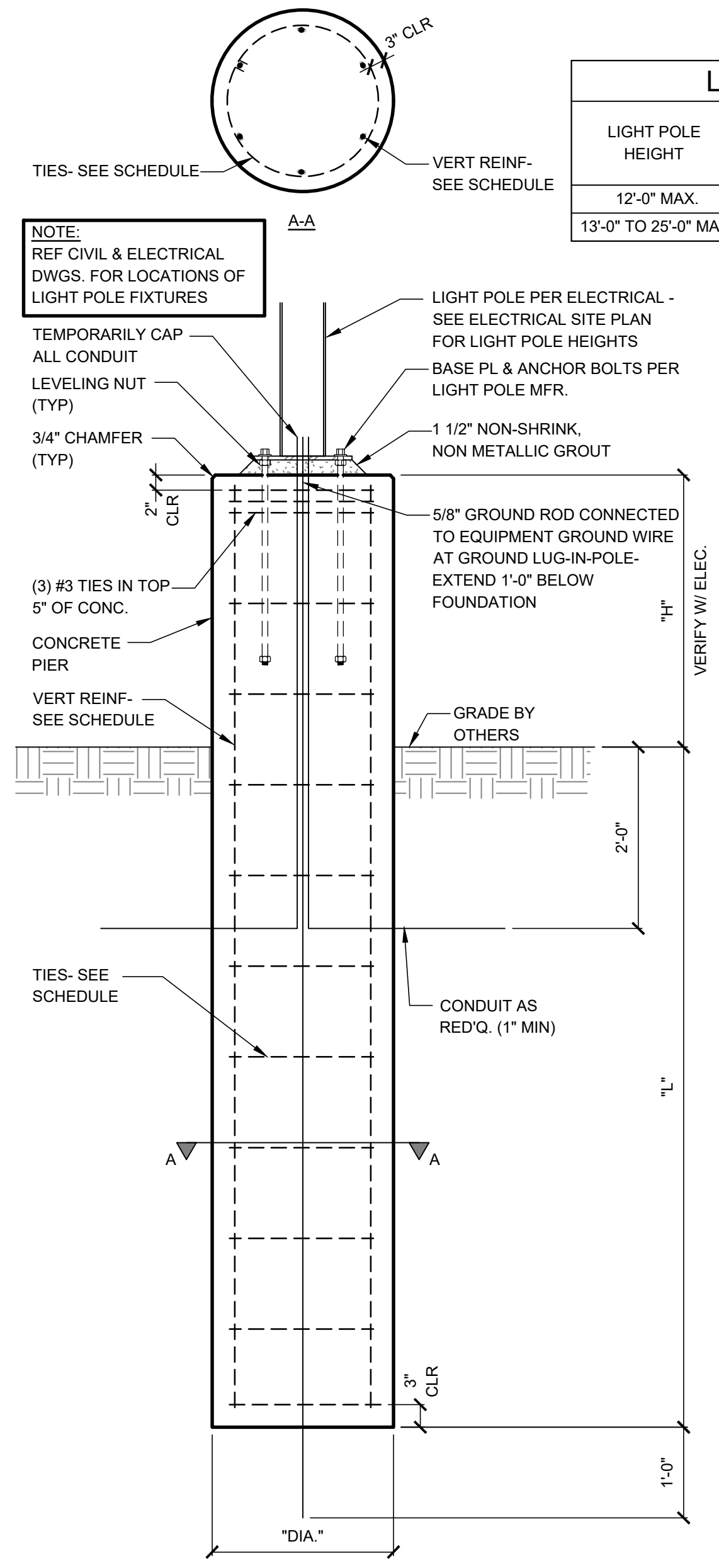
LIGHT POLE FOUNDATION SCHEDULE					
LIGHT POLE HEIGHT	FDN. PIER DIAMETER (DIA.)	EMBEDMENT LENGTH (L)	ABOVE GRADE HEIGHT (H)	VERTICAL REINF	NUMBER OF TIES & SPACING
12'-0" MAX.	1'-6"	4'-0"	0'-0"	(4) #6	#3 @ 18" SPA
13'-0" TO 25'-0" MAX.	2'-0"	8'-0"	3'-0"	(6) #6	#3 @ 12" SPA



8 DUMPSTER FOUNDATION PLAN
SCALE: 1/2" = 1'-0"

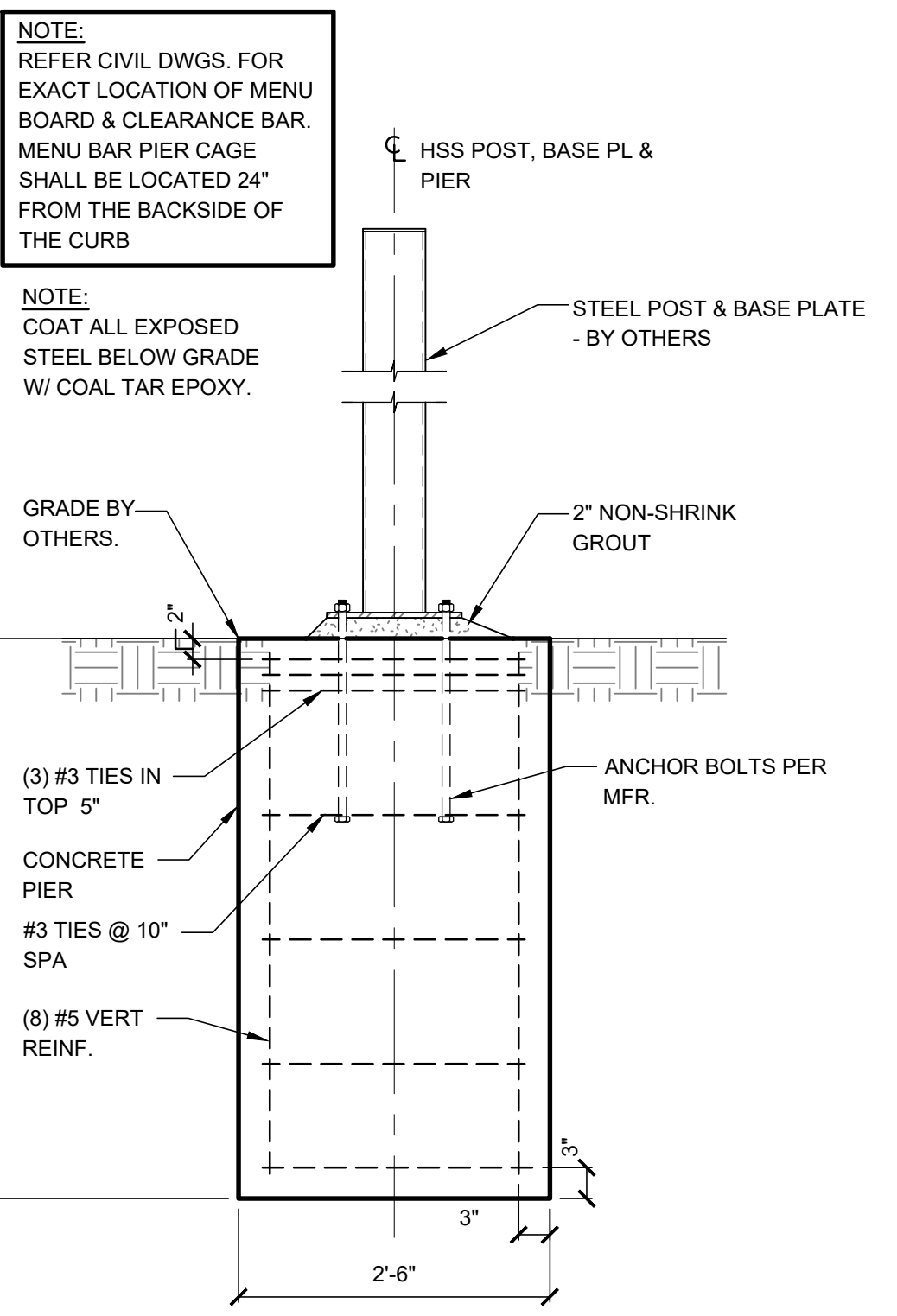


7 SECTION
SCALE: 3/4" = 1'-0"

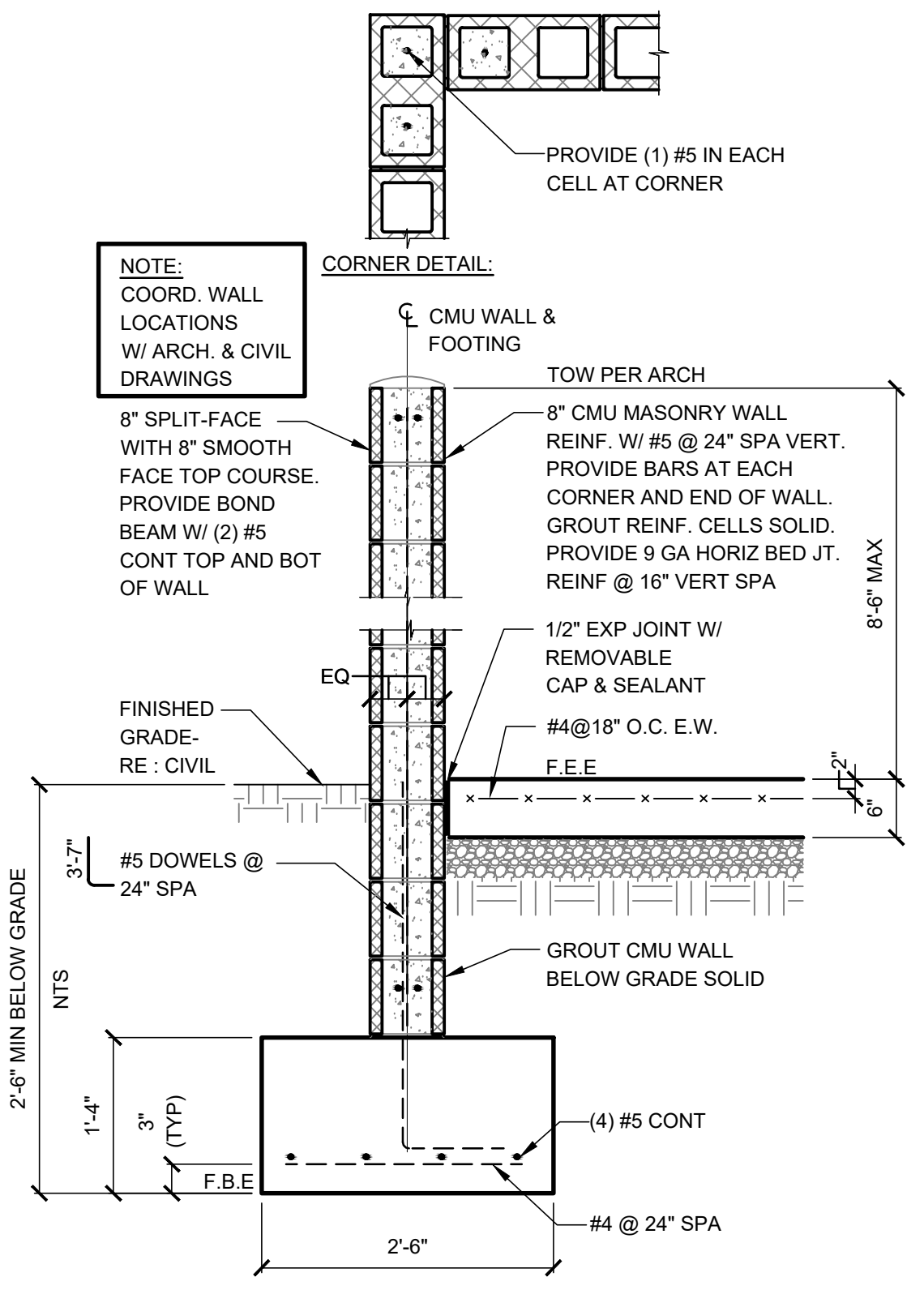


6 NOT USED
SCALE: NOT TO SCALE

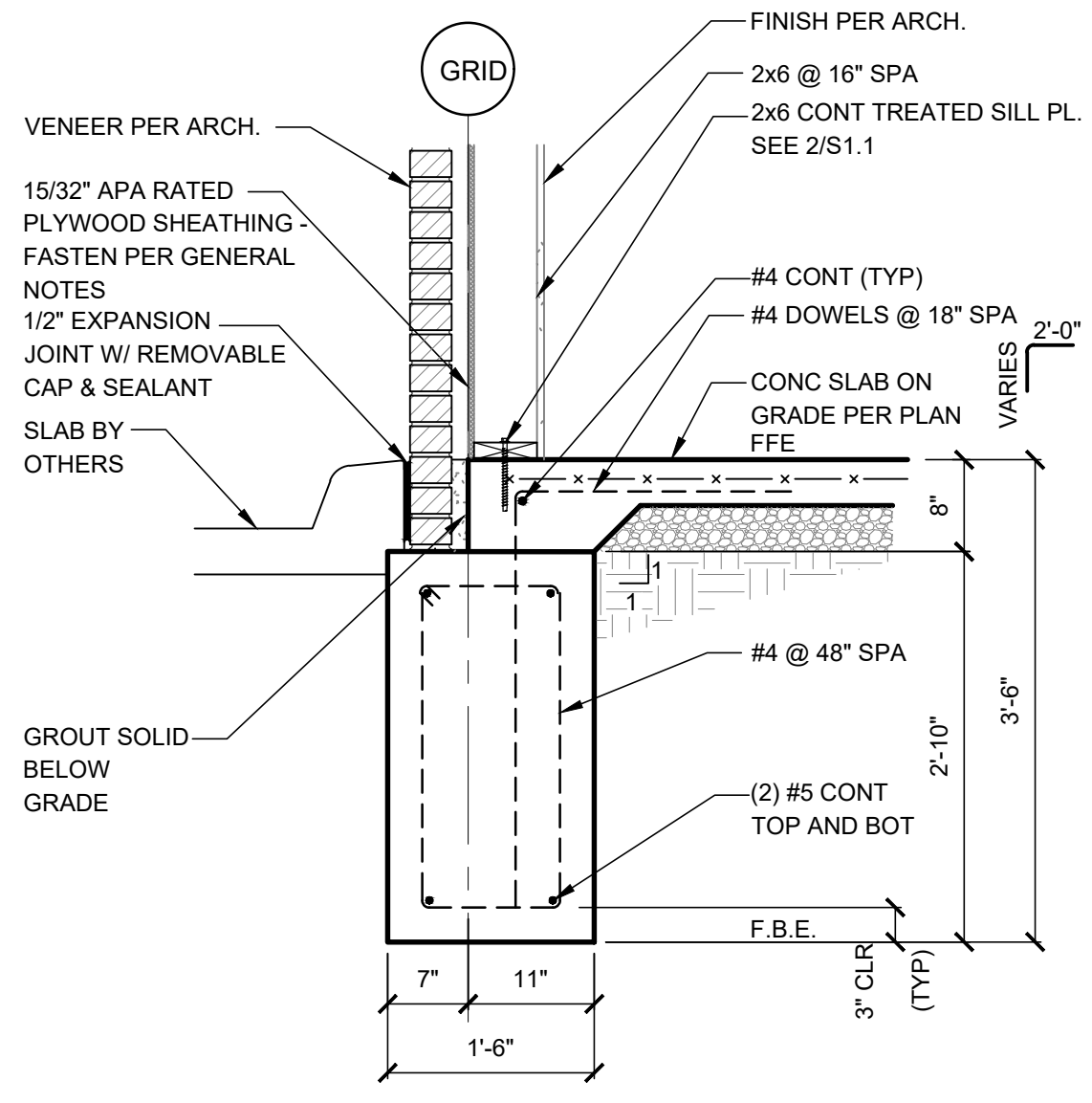
5 LIGHT POLE FOUNDATION
SCALE: 3/4" = 1'-0"



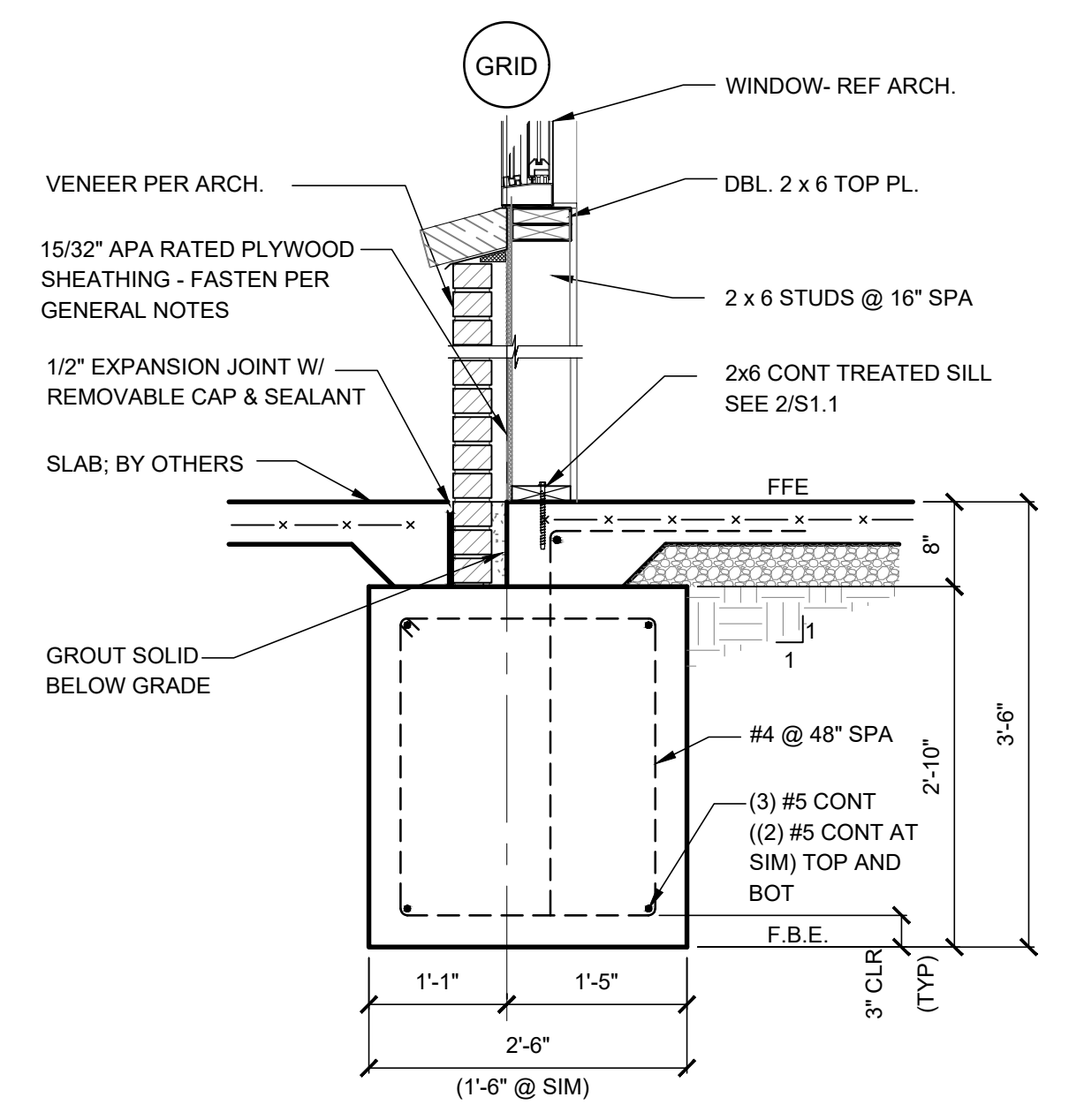
4 MENU BOARD CLEARANCE SIGN AND PRESELL BOARD
SCALE: 3/4" = 1'-0"



3 DUMPSTER ENCLOSURE
SCALE: 3/4" = 1'-0"



2 SECTION
SCALE: 3/4" = 1'-0"



1 SECTION
SCALE: 3/4" = 1'-0"

THIS DRAWING WAS PREPARED SOLELY AND EXCLUSIVELY FOR EXECUTION OF THE PROJECT IDENTIFIED WITHIN THESE DOCUMENTS. CONTEMPORANEOUSLY WITH ITS ISSUE DATE THIS DRAWING MAY NOT BE USED ON OTHER PROJECTS OR FOR ADDITIONS TO THE PROJECT OUTSIDE THE SCOPE OF WORK WITHOUT WRITTEN CONSENT OF THE OWNER, ARCHITECT, AND THE ARCHITECT'S CONSULTANTS. THE ARCHITECT AND THE ARCHITECT'S CONSULTANTS ARE THE AUTHORS AND OWNERS OF THEIR RESPECTIVE DRAWINGS AND SPECIFICATIONS, AND RETAIN ALL COMMON LAW, STATUTORY, AND OTHER RIGHTS, INCLUDING COPYRIGHTS.

ISSUES / REVISIONS

NO.	DESCRIPTION	DATE

ISSUE DATE: 02/14/2023
PROTO CYCLE: Q2 2022
PROTO SIZE: B1L
CHECKED BY: KJW
DRAWN BY: REA

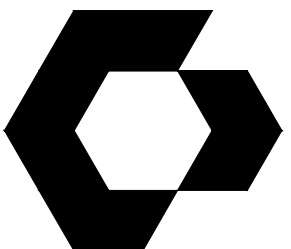
SHEET NAME

FOUNDATION DETAILS

SHEET NUMBER

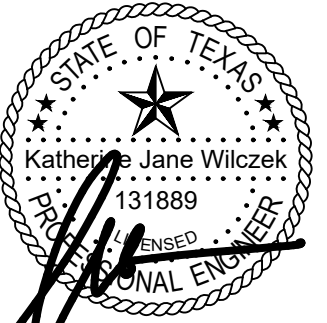
S1.3

Printed: 2/15/2023 11:27:49 AM V:\Slim Chickens\San Antonio, TX\04-CAD\Sheet\S1-3_FOUNDATION_DETAILS.dwg



CYNTERGY
810 S CINCINNATI AVE, STE 200
TULSA, OK 74119
918.877.6000

CYNTERGY ENGINEERING, PLLC
LICENSE # F-2220
EXPIRES 11/30/2023



2.14.23
KATHERINE JANE WILCZEK, P.E.
ENGINEER OF RECORD

DOCUMENTS WITHOUT
SIGNATURE AND REQUIRED SEAL
OF AOR / EOR ARE NOT FOR
CONSTRUCTION.

SLIM CHICKENS
SAN ANTONIO, TX

THIS DRAWING WAS PREPARED SOLELY AND EXCLUSIVELY FOR EXECUTION OF THE PROJECT IDENTIFIED WITHIN THESE DOCUMENTS. CONTEMPORANEOUSLY WITH ITS ISSUE DATE THIS DRAWING MAY NOT BE USED ON OTHER PROJECTS OR FOR ADDITIONS TO THE PROJECT OUTSIDE THE SCOPE OF WORK WITHOUT WRITTEN CONSENT OF THE OWNER, ARCHITECT, AND THE ARCHITECT'S CONSULTANTS. THE ARCHITECT AND THE ARCHITECT'S CONSULTANTS ARE THE AUTHORS AND OWNERS OF THEIR RESPECTIVE DRAWINGS AND SPECIFICATIONS, AND RETAIN ALL COMMON LAW, STATUTORY, AND OTHER RIGHTS, INCLUDING COPYRIGHTS.

ISSUES / REVISIONS

NO.	DATE	DESCRIPTION

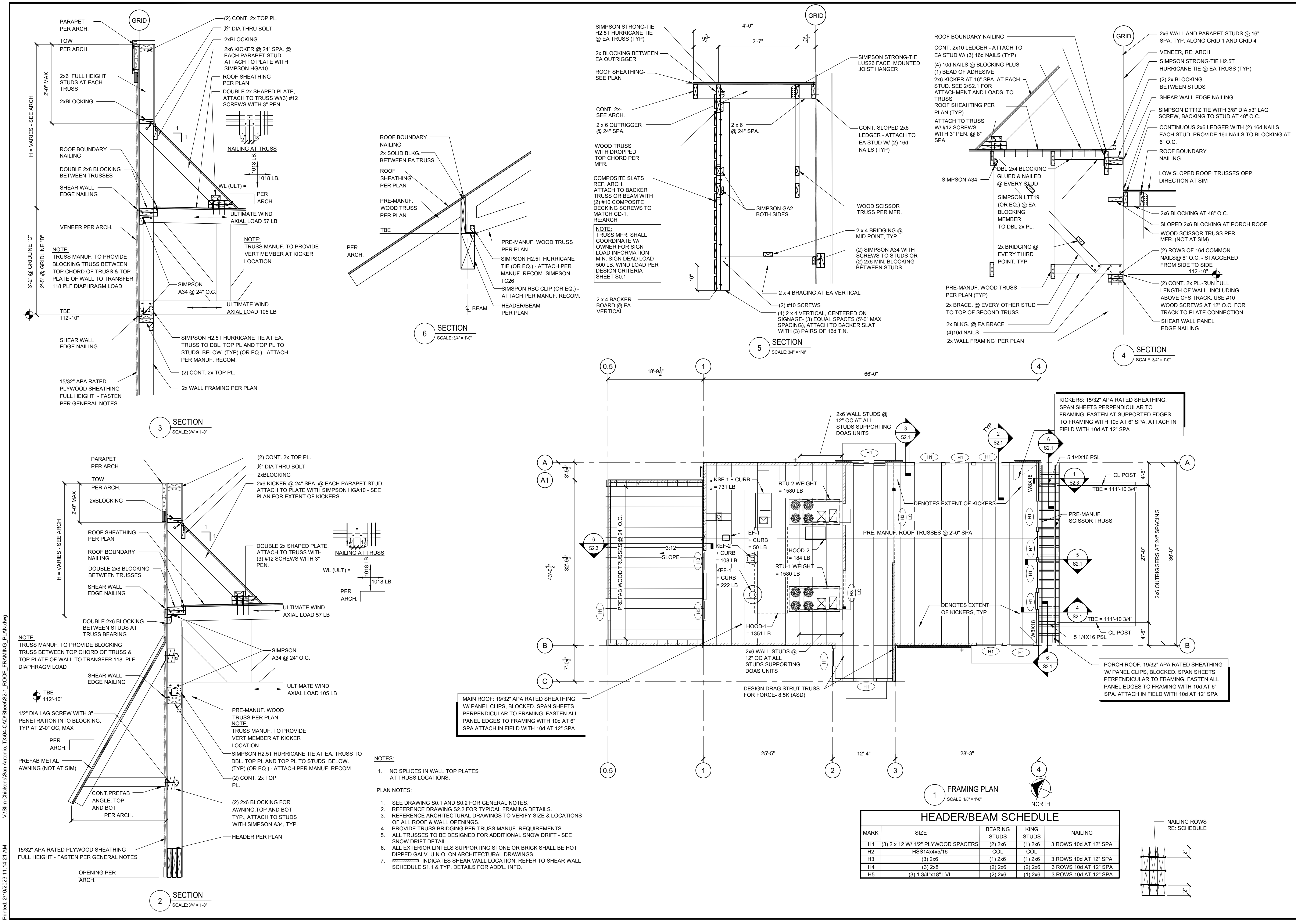
ISSUE DATE: 02/07/2023
PROTO CYCLE: Q2 2022
CHECKED BY: KJW
DRAWN BY: REA

SHEET NUMBER

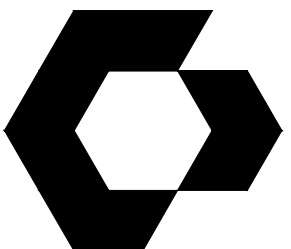
ROOF FRAMING
PLAN AND DETAILS

SHEET NUMBER

S2.1

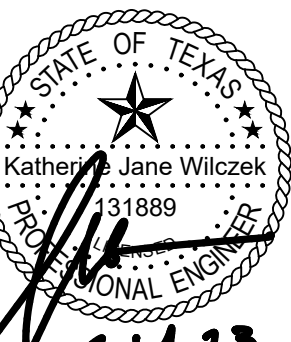


P:\Slim Chickens\San Antonio, TX\04-CAD\Sheets\S2 - R.OOF - FRAMING PLAN.dwg
V:\Slim Chickens\San Antonio, TX\04-CAD\Sheets\S2 - R.OOF - FRAMING PLAN.dwg
Printed: 2/10/2023 11:14:21 AM



CYNERGY
810 S CINCINNATI AVE, STE 200
TULSA, OK 74119
918.877.6000

CYNERGY ENGINEERING, PLLC
LICENSE # F-2220
EXPIRES 11/30/2023



2-14-23
KATHERINE JANE WILCZEK, P.E.
ENGINEER OF RECORD

DOCUMENTS WITHOUT
SIGNATURE AND REQUIRED SEAL
OF AOR / EOR ARE NOT FOR
CONSTRUCTION.



THIS DRAWING WAS PREPARED SOLELY AND EXCLUSIVELY FOR EXECUTION OF THE PROJECT IDENTIFIED WITHIN THESE DOCUMENTS. CONTEMPORANEOUSLY WITH ITS ISSUE DATE THIS DRAWING MAY NOT BE USED ON OTHER PROJECTS OR FOR ADDITIONS TO THE PROJECT OUTSIDE THE SCOPE OF WORK WITHOUT WRITTEN CONSENT OF THE OWNER, ARCHITECT, AND THE ARCHITECT'S CONSULTANTS. THE ARCHITECT AND THE ARCHITECT'S CONSULTANTS ARE THE AUTHORS AND OWNERS OF THEIR RESPECTIVE DRAWINGS AND SPECIFICATIONS, AND RETAIN ALL COMMON LAW, STATUTORY, AND OTHER RIGHTS, INCLUDING COPYRIGHTS.

ISSUES / REVISIONS

NO.	DATE	DESCRIPTION

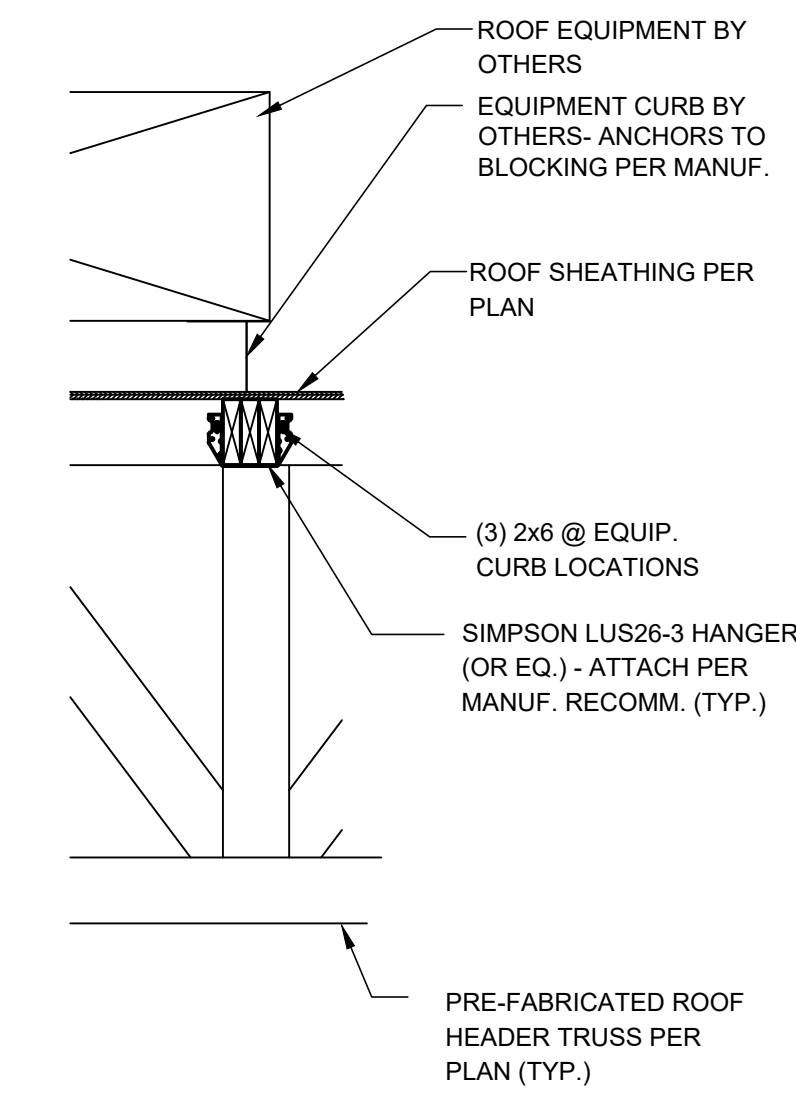
ISSUE DATE: 02/07/2023
PROTO CYCLE: Q2 2022
PROTO SIZE: B1L
CHECKED BY: KJW
DRAWN BY: REA

SHEET NAME

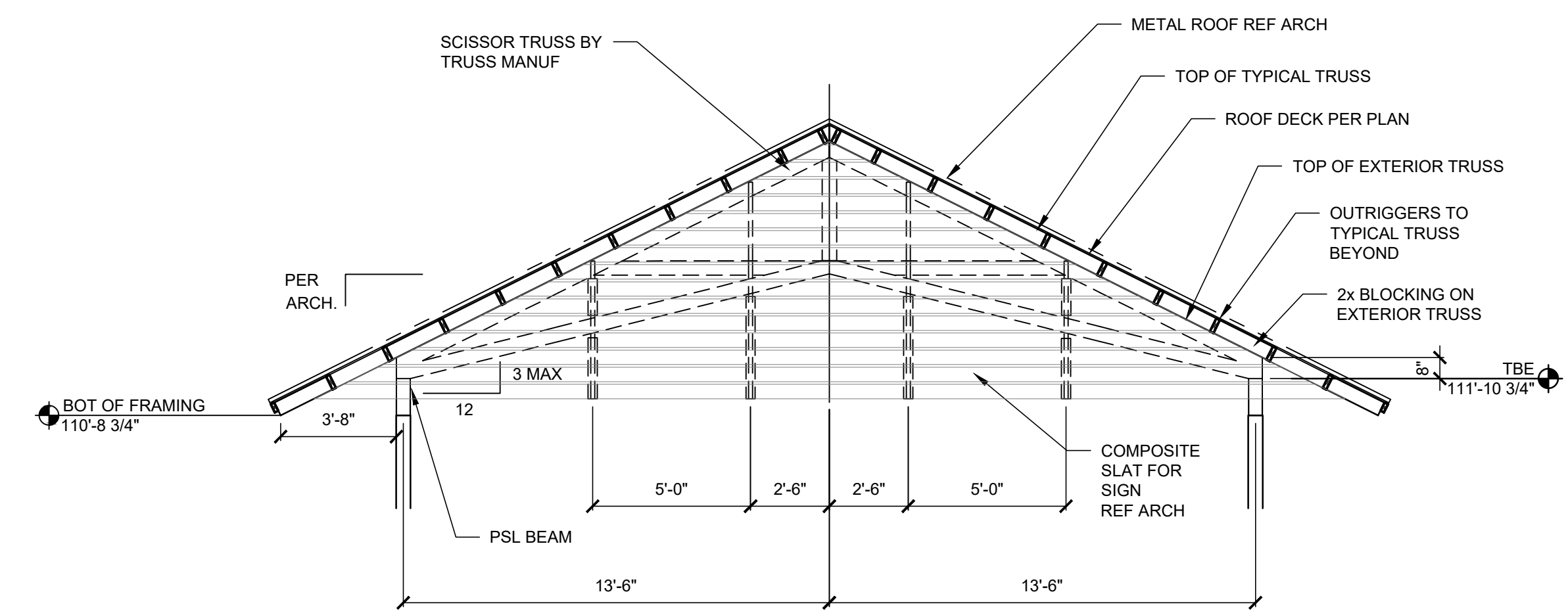
TYPICAL FRAMING DETAILS

SHEET NUMBER

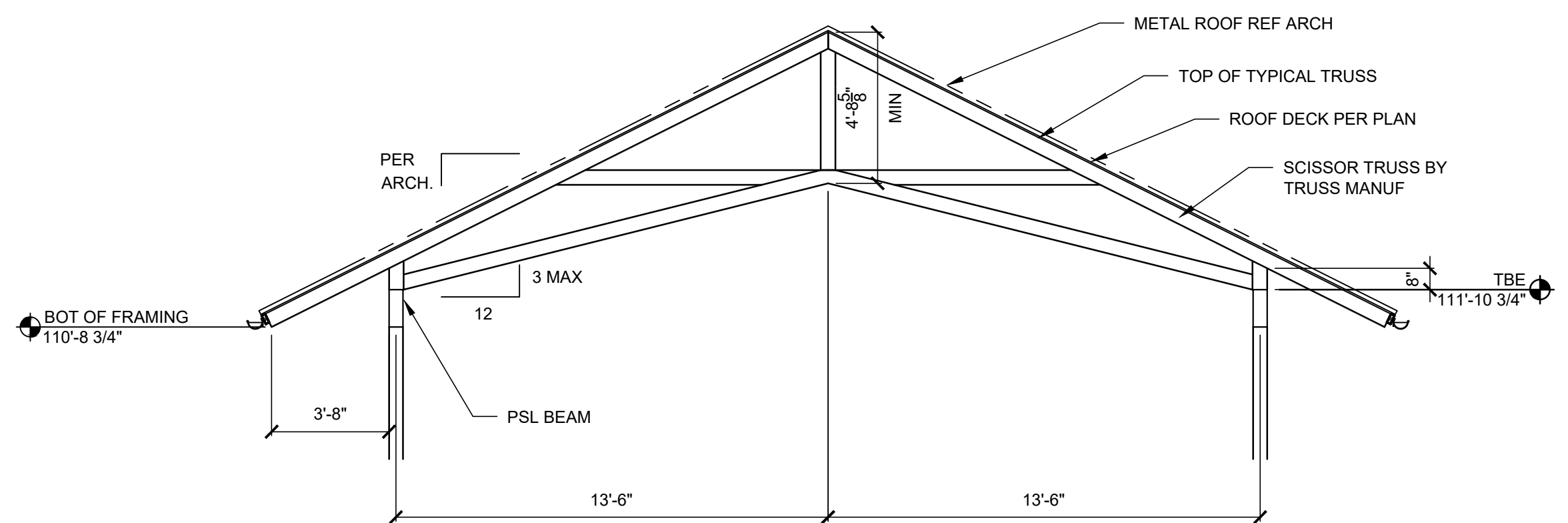
S2.2



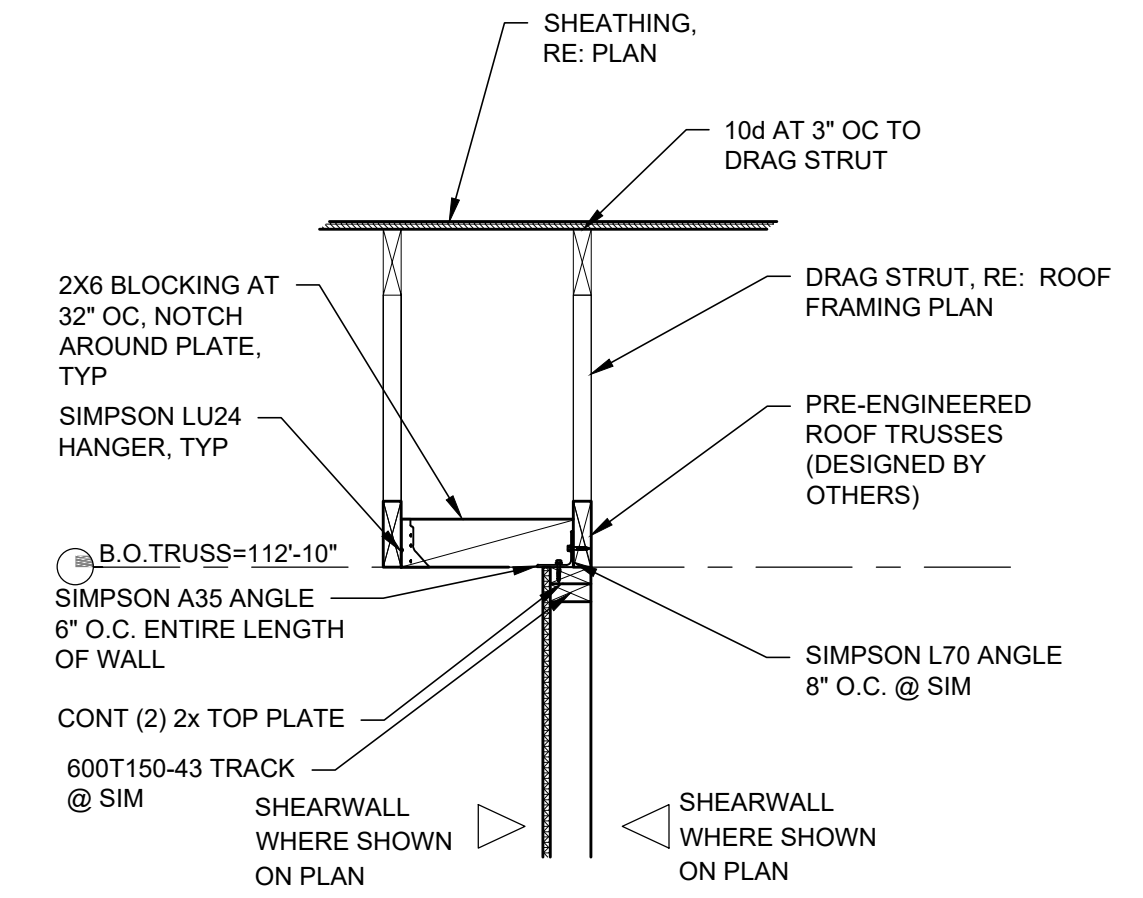
8 ROOF EQUIPMENT SUPPORT DETAIL
SCALE: NOT TO SCALE



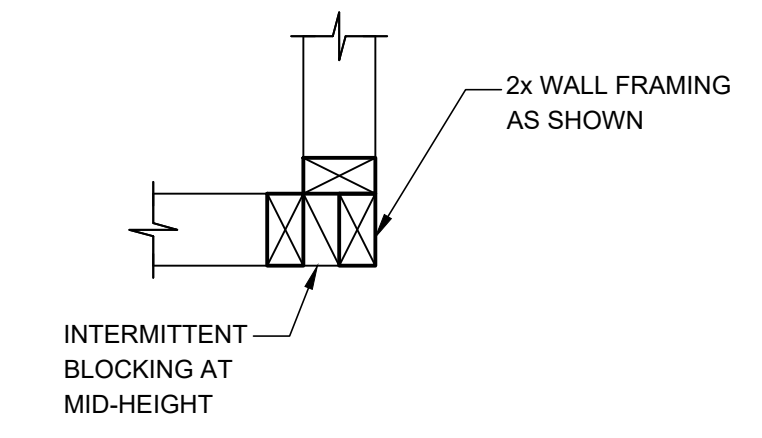
9 PORCH TRUSS - EXTERIOR
SCALE: 1/4" = 1'-0"



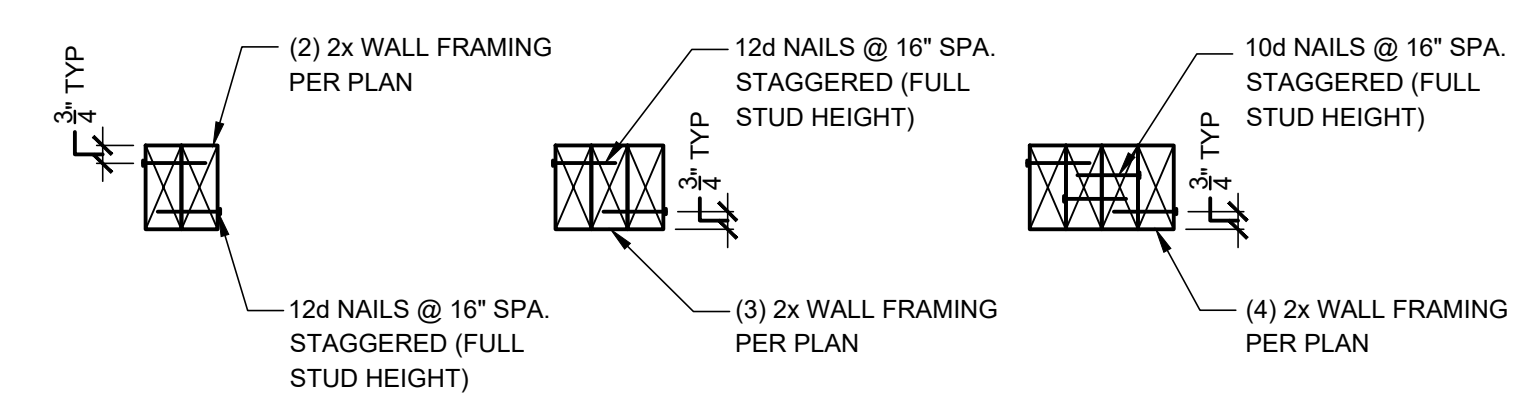
10 PORCH TRUSS - TYPICAL
SCALE: 1/4" = 1'-0"



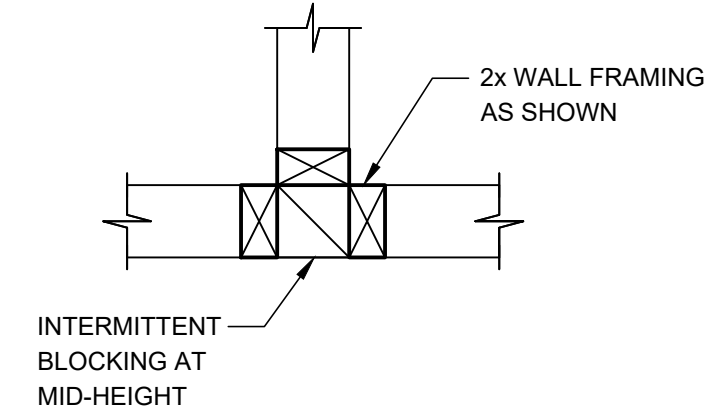
4 SHEAR WALL
SCALE: NOT TO SCALE



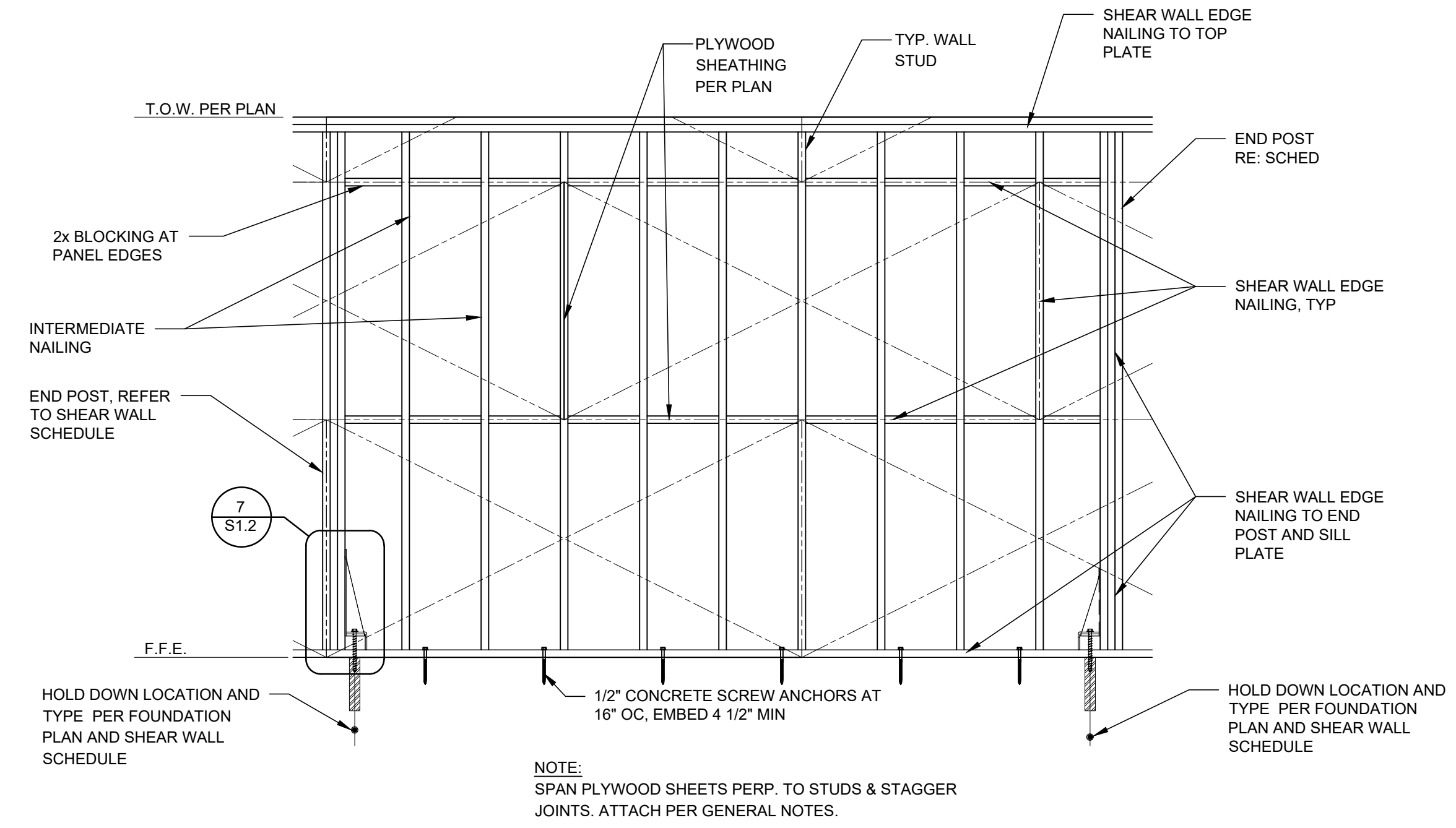
5 TYPICAL CORNER DETAIL
SCALE: NOT TO SCALE



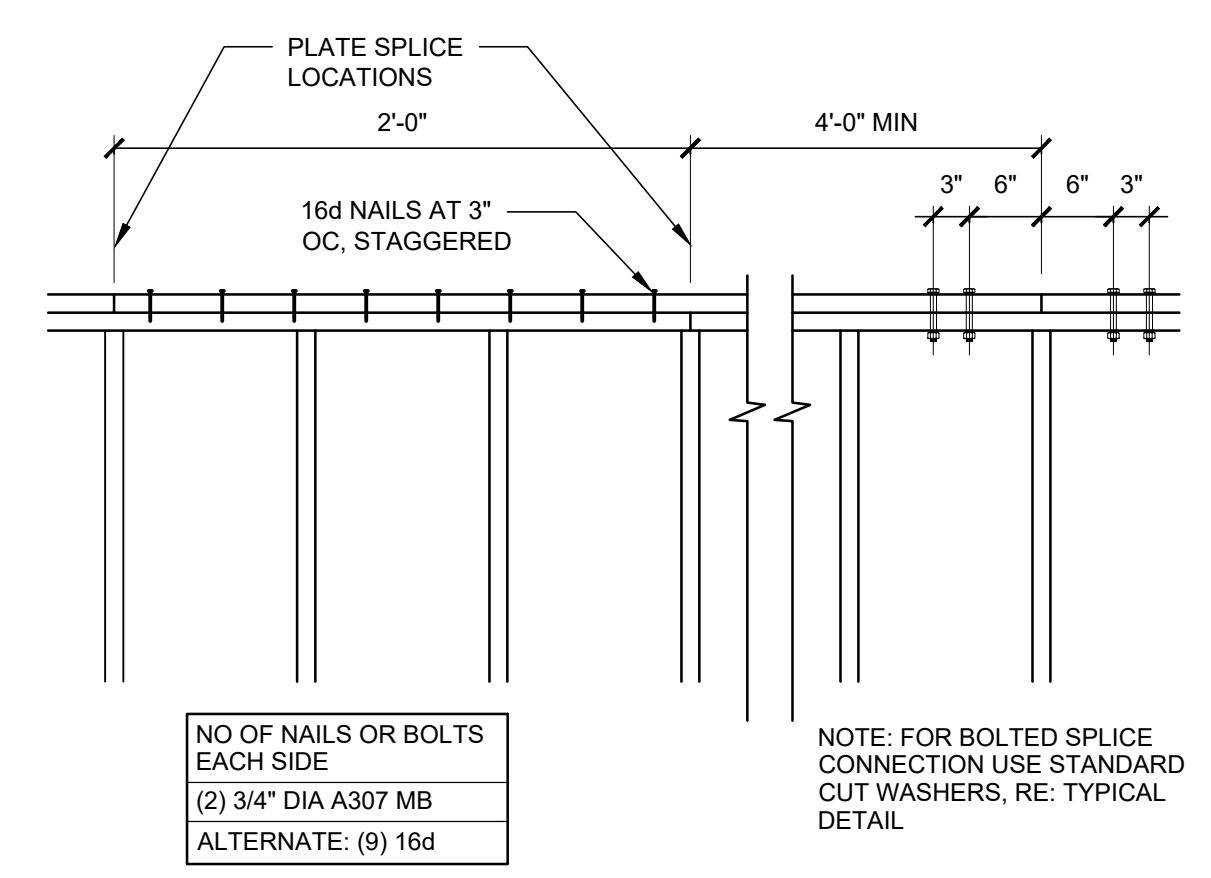
6 TYPICAL BUILT-UP COLUMN DETAIL
SCALE: NOT TO SCALE



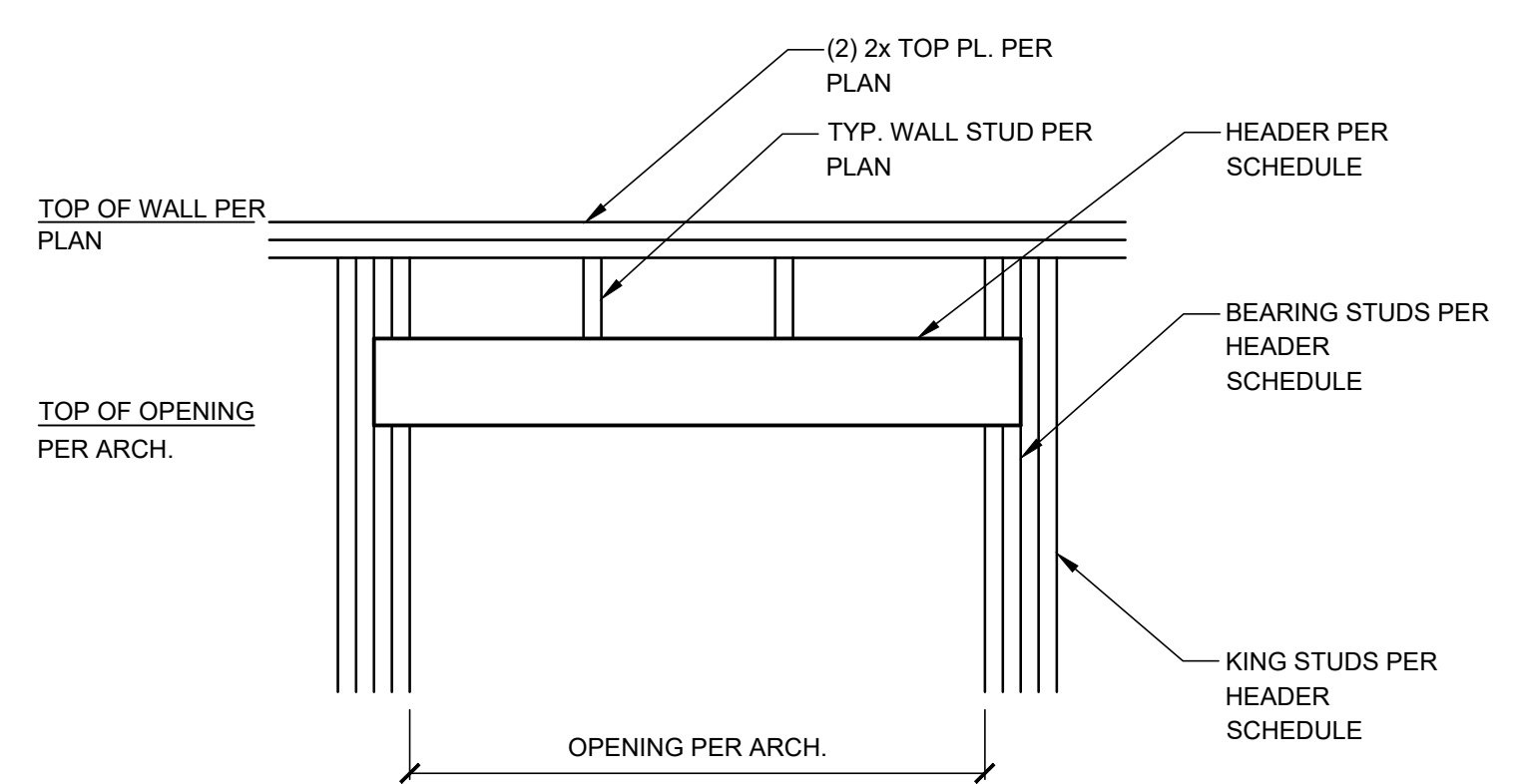
7 TYPICAL STUD WALL "T" DETAIL
SCALE: NOT TO SCALE



1 TYPICAL SHEAR WALL ELEVATION DETAIL
SCALE: NOT TO SCALE

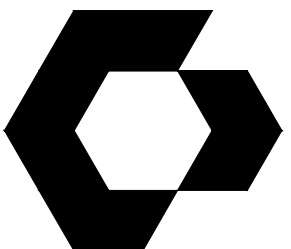


2 TYPICAL TOP CHORD SPLICE DETAIL
SCALE: NOT TO SCALE



3 TYPICAL HEADER/OPENING DETAIL
SCALE: NOT TO SCALE

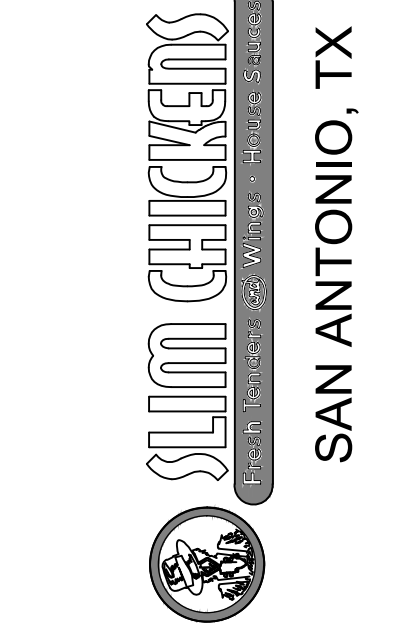
V:\Slim Chickens\San Antonio, TX\04-CAD\Sheet\S2.2_FRAMING_DETAILS.dwg
Printed: 2/10/2023 11:14:53 AM



CYNTERGY
810 S CINCINNATI AVE, STE 200
TULSA, OK 74119
918.877.6000



DAVID PHELPS
ARCHITECT OF RECORD



THIS DRAWING WAS PREPARED SOLELY AND EXCLUSIVELY FOR EXECUTION OF THE PROJECT IDENTIFIED WITHIN THESE DOCUMENTS. CONTEMPORANEOUSLY WITH ITS ISSUE DATE THIS DRAWING MAY NOT BE USED ON OTHER PROJECTS OR FOR ADDITIONS TO THE PROJECT OUTSIDE THE SCOPE OF WORK WITHOUT WRITTEN CONSENT OF THE OWNER, ARCHITECT, AND THE ARCHITECT'S CONSULTANTS. THE ARCHITECT AND THE ARCHITECT'S CONSULTANTS ARE THE AUTHORS AND OWNERS OF THEIR RESPECTIVE DRAWINGS AND SPECIFICATIONS, AND RETAIN ALL COMMON LAW, STATUTORY, AND OTHER RIGHTS, INCLUDING COPYRIGHTS.

ISSUES / REVISIONS

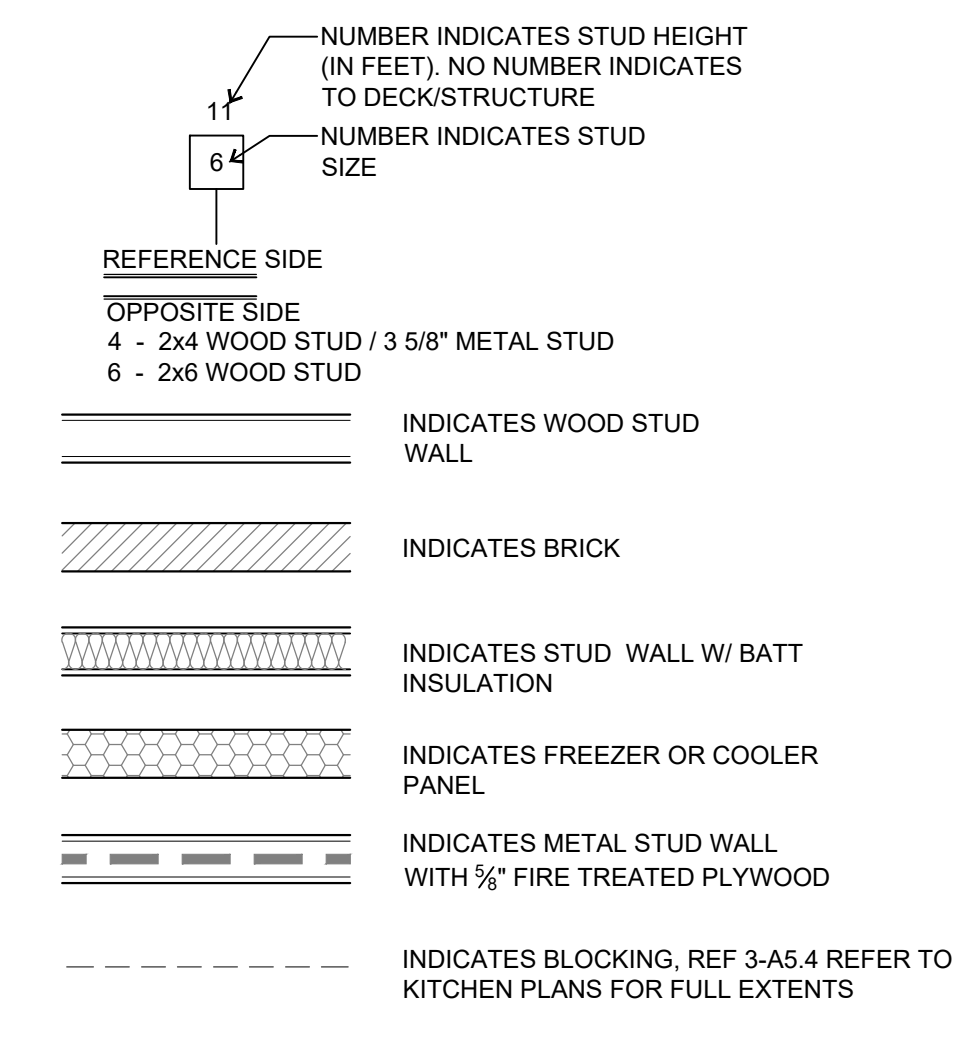
NO.	DESCRIPTION	DATE

ISSUE DATE: 02/14/2023
PROTO CYCLE: Q2 2022
PROTO SIZE: B1L
CHECKED BY: LJW/DW
DRAWN BY: LW

SHEET NAME
FLOOR PLAN

SHEET NUMBER
A1.1

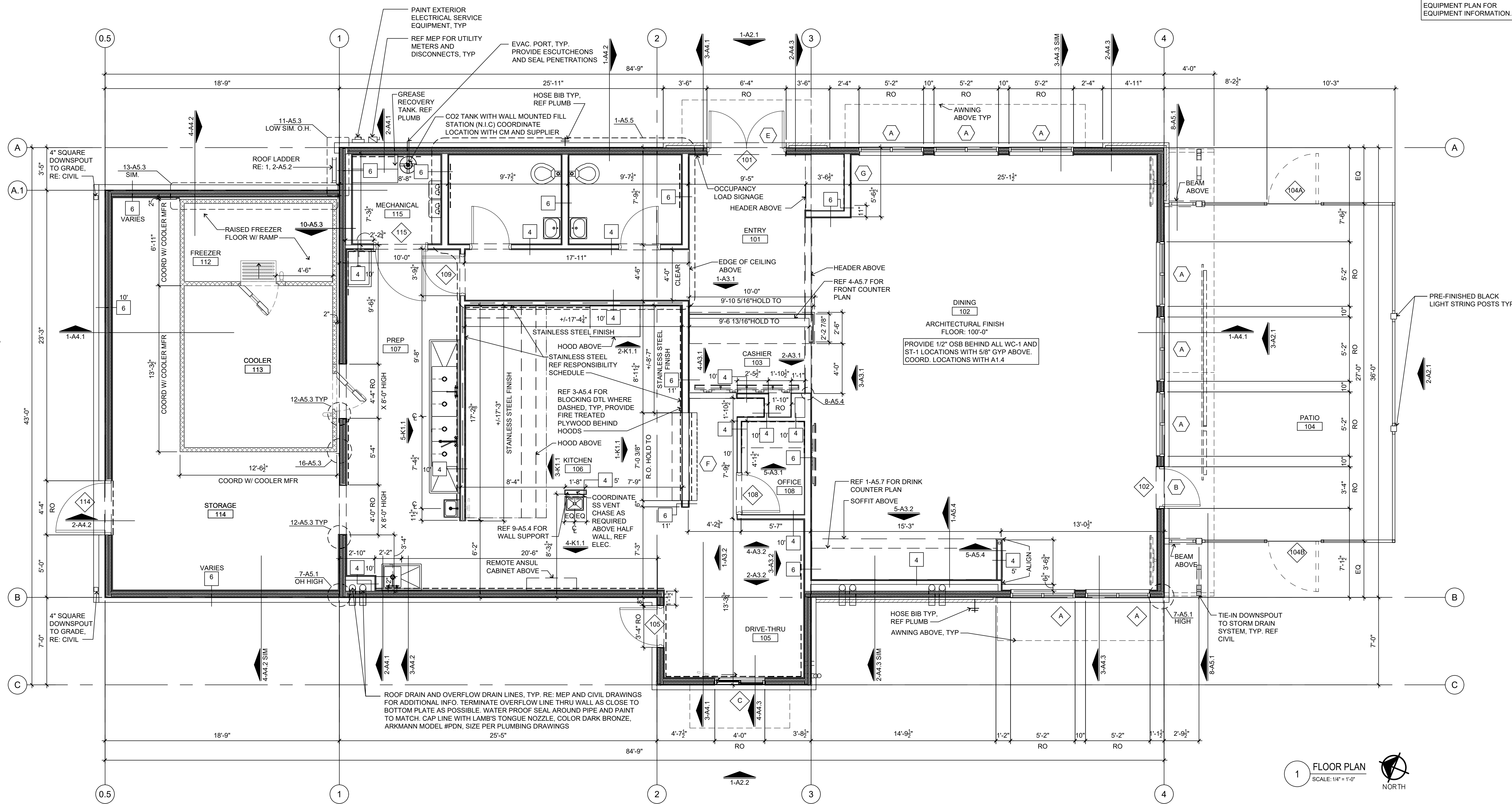
PARTITION LEGEND



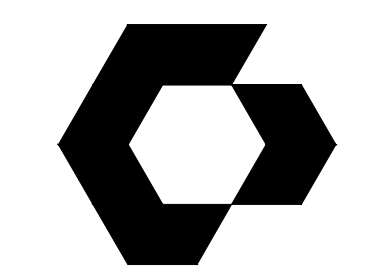
PARTITION NOTES

- SEE FLOOR PLAN FOR TYPE NOTATION.
- THESE TYPES INDICATE PRIMARY INTERIOR PARTITIONS. EXTERIOR WALLS, OVERLAIN VENEERS, WAINSCOTS, PILASTERS AND OTHER VARIANTS AND SPECIAL CONDITIONS ARE INDICATED ON THE PLANS AND DETAILS.
- ALL WALLS THAT CONTAIN OR ARE ADJACENT TO PLUMBING FIXTURES SHALL RECEIVE MOISTURE RESISTANT GYP BOARD.
- PROVIDE PLYWOOD SHEATHING IN KITCHEN, MECHANICAL, OFFICE, AND DRIVE-THRU IN LIEU OF BLOCKING AND GYP BD. REF 3-A5.4
- BRACE TOP OF INTERIOR NON-LOAD-BEARING WALLS WITH 45 DEGREE DIAGONAL 2X6 STUD BRACE NAILED TO THE ROOF FRAMING ABOVE. ATTACH STUD BRACE TO TOP OF WALL WITH (2) 10D NAILS AND SPACE AT 4'-0" O.C. MAXIMUM. PROVIDE 1/2" GAP BETWEEN TOP PLATE AND ROOF DECK.
- EXTERIOR WALLS DIMENSIONED TO OUTSIDE FACE OF SHEATHING AND INTERIOR WALLS DIMENSIONED TO EDGE OF FRAMING, TYP. EDGE OF SLAB ALIGNED WITH OUTSIDE FACE OF EXTERIOR SHEATHING, TYP. GRID LINES ALIGNED WITH OUTSIDE FACE OF SHEATHING / SLAB, TYP.
- INTERIOR SHEATHING TO EXTEND 6" MIN PAST CEILING AT OFFICE, KITCHEN, AND DRIVE-THRU AREAS.
- REFERENCE FINISH SCHEDULE FOR WALL / FLOOR FINISH INFORMATION.
- BOTTOM PLATE OF ALL INTERIOR SILL PLATES TO BE CONSTRUCTED OF PRESERVATIVE-TREATED WOOD IN ACCORDANCE WITH AWPA.
- REFERENCE STRUCTURAL FOR SHEAR WALL LOCATIONS.
- NON-COMBUSTIBLE WALL ASSEMBLY AND FINISHES TO EXTEND 18" MIN PAST END OF HOOD, BOTH SIDES.

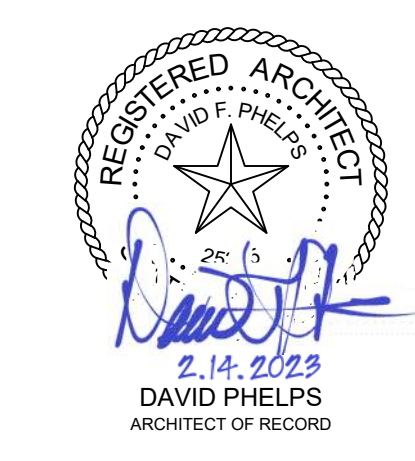
REFERENCE SHEET K-1
EQUIPMENT PLAN FOR
EQUIPMENT INFORMATION.



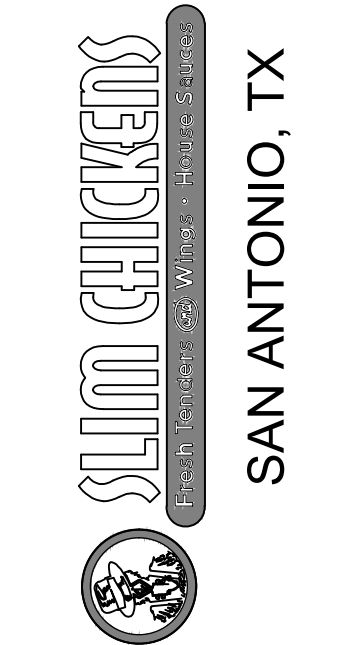
Printed: 2/20/2023 10:55:30 AM V:\Slim Chickens\San Antonio, TX\04-CAD\Sheet\A1.1 - FLOOR PLAN.dwg



CYNTERGY
810 S CINCINNATI AVE, STE 200
TULSA, OK 74119
918.877.6000



DOCUMENTS WITHOUT
SIGNATURE AND REQUIRED SEAL
OF AOR / EOR ARE NOT FOR
CONSTRUCTION.



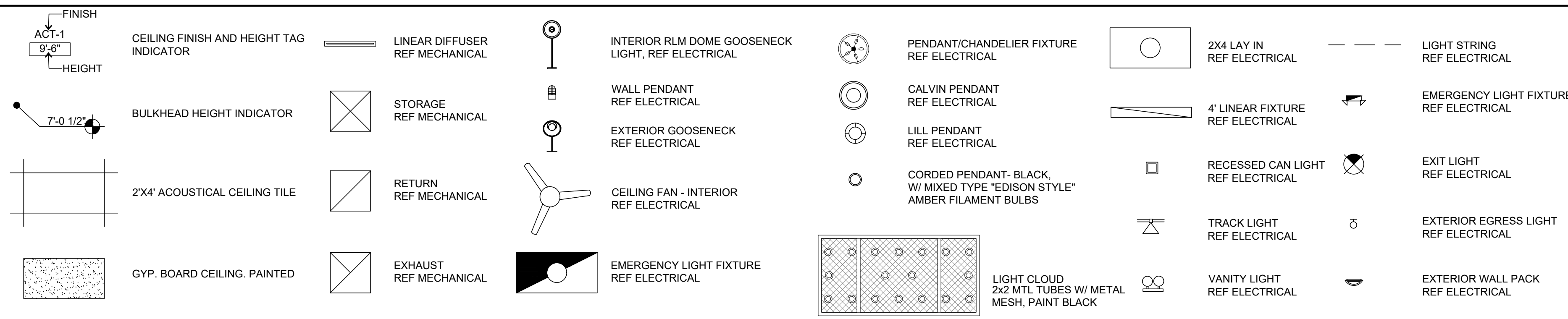
THIS DRAWING WAS PREPARED SOLELY AND EXCLUSIVELY FOR EXECUTION OF THE PROJECT IDENTIFIED WITHIN THESE DOCUMENTS. CONTEMPORANEOUSLY WITH ITS ISSUE DATE THIS DRAWING MAY NOT BE USED ON OTHER PROJECTS OR FOR ADDITIONS TO THE PROJECT OUTSIDE THE SCOPE OF WORK WITHOUT WRITTEN CONSENT OF THE OWNER, ARCHITECT, AND THE ARCHITECT'S CONSULTANTS. THE ARCHITECT AND THE ARCHITECT'S CONSULTANTS ARE THE AUTHORS AND OWNERS OF THEIR RESPECTIVE DRAWINGS AND SPECIFICATIONS, AND RETAIN ALL COMMON LAW, STATUTORY, AND OTHER RIGHTS, INCLUDING COPYRIGHTS.

ISSUE NO.	DATE	DESCRIPTION

ISSUE DATE: 02/14/2023
PROTO CYCLE: Q2 2022
PROTO SIZE: B1L
CHECKED BY: LJW/DW
DRAWN BY: LW

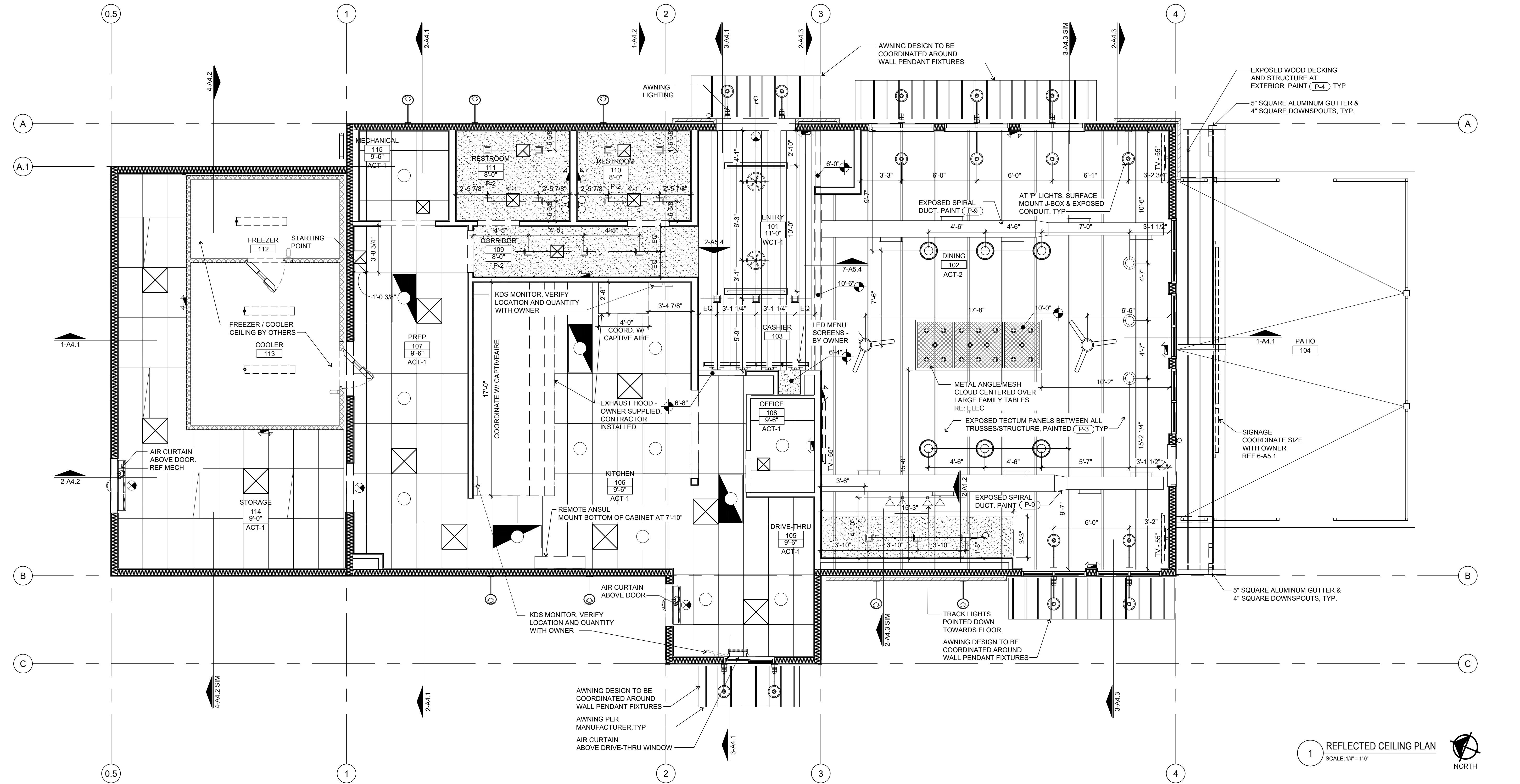
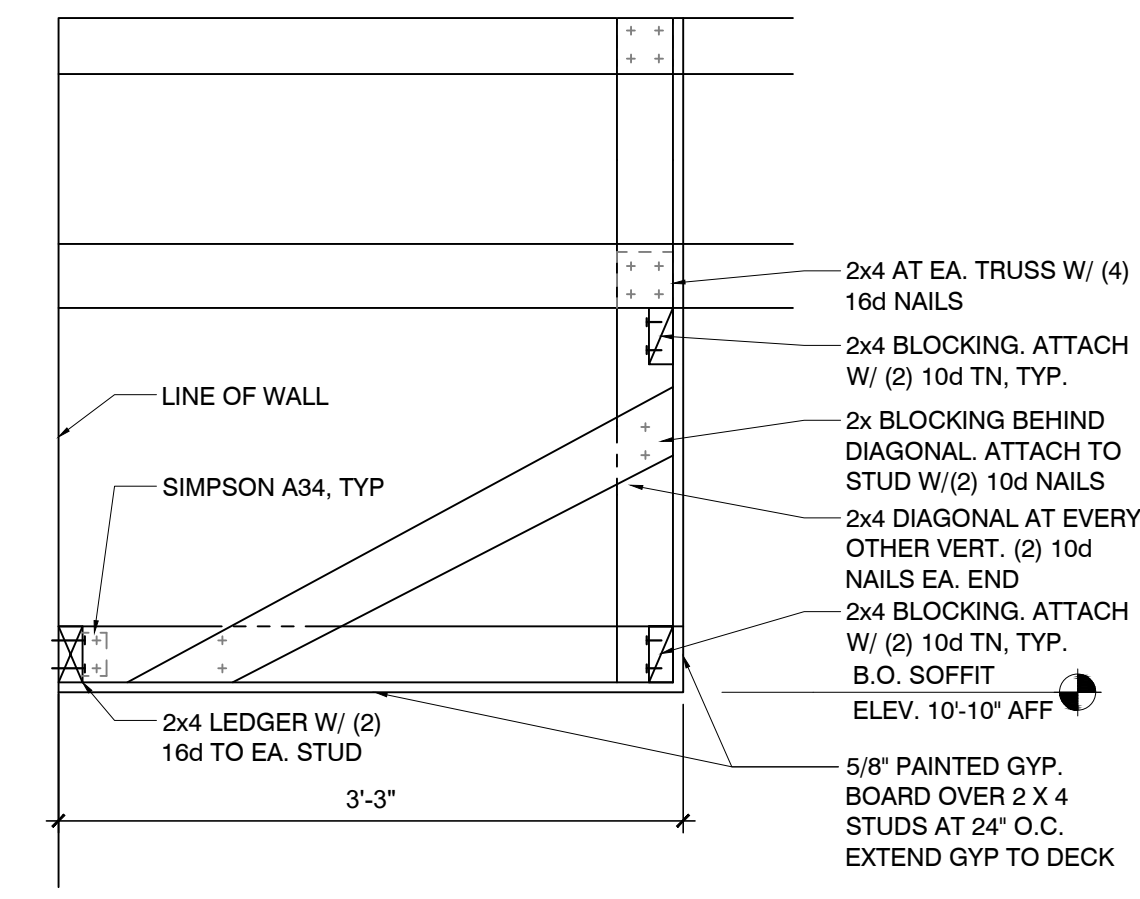
SHEET NAME
**REFLECTED
CEILING PLAN**
SHEET NUMBER
A1.2

CEILING LEGEND

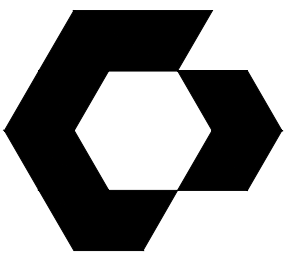


GENERAL NOTES

1. REFERENCE ELECTRICAL LIGHTING PLANS AND SCHEDULES FOR ALL LIGHT FIXTURE MOUNTING AND MODEL INFORMATION.
2. SEE MECHANICAL FOR ALL ELEMENT LOCATIONS AND SIZES.
3. ALL SUSPENDED CEILING TO HANG FROM ROOF STRUCTURE.
4. PROVIDE 2X4 BLOCKING BETWEEN TRUSSES TO MOUNT PENDANT LIGHTING IN DINING AREA AS NEEDED. BLOCKING TO BE PAINTED P-3



Printed: 2/14/2023 10:53:04 AM V:\Slim Chickens\San Antonio, TX\04-CAD\Sheet\A1.2_REFLECTED_CEILING_PLAN.dwg



CYNERGY
810 S CINCINNATI AVE, STE 200
TULSA, OK 74119
918.877.6000

ROOF PLAN KEY NOTES

- | | |
|---|---|
| 1 ROOF DRAIN LOCATION W/ TAPERED INSULATION SYSTEM. RE: 2, 3-A1.3 | 10 CRICKET |
| 2 PROVIDE BLOCKING & TAPERED SHIMMING BELOW ROOF CURBS TO SUPPORT & LEVEL. RE: 4-A1.3 | 11 5" SQUARE ALUMINUM GUTTERS AND 4" SQUARE DOWNSPOUTS |
| 3 ROOF MEMBRANE ON TAPERED INSULATION OVER COOLER/FREEZER ROOF | 12 GALVANIZED METAL GUTTERS, AND 4" ROUND DOWNSPOUTS, TYP |
| 4 TAPERED INSULATION | 13 R-PANEL METAL ROOF |
| 5 ROOF TOP UNIT RE: MEP | |
| 6 METAL AWNING | |
| 7 EXHAUST FAN. RE: MEP | |
| 8 WALKWAY PADS | |
| 9 ROOFING SYSTEM RE: SPECS | |

GENERAL NOTES

- PROVIDE 2 - 2X6 BLOCKING AROUND ALL ROOF DECK OPENINGS & UNDER ROOF CURBS, ROOF DRAINS, ETC.
- COORDINATE ALL ROOF OPENINGS W/ HVAC CONTRACTOR. PROVIDE CONTINUOUS SHIMS TO LEVEL.
- MIN. ROOF SLOPE SHALL BE 1/4" PER 1'-0".
- PROVIDE CRICKETS AT ALL ROOF PENETRATIONS AND AS INDICATED ON PLAN.
- CONTRACTOR SHALL COORDINATE FRAME SIZE WITH EQUIPMENT DETAILS.



DOCUMENTS WITHOUT SIGNATURE AND REQUIRED SEAL OF AOR / EOR ARE NOT FOR CONSTRUCTION.

SLIM CHICKENS
SAN ANTONIO, TX

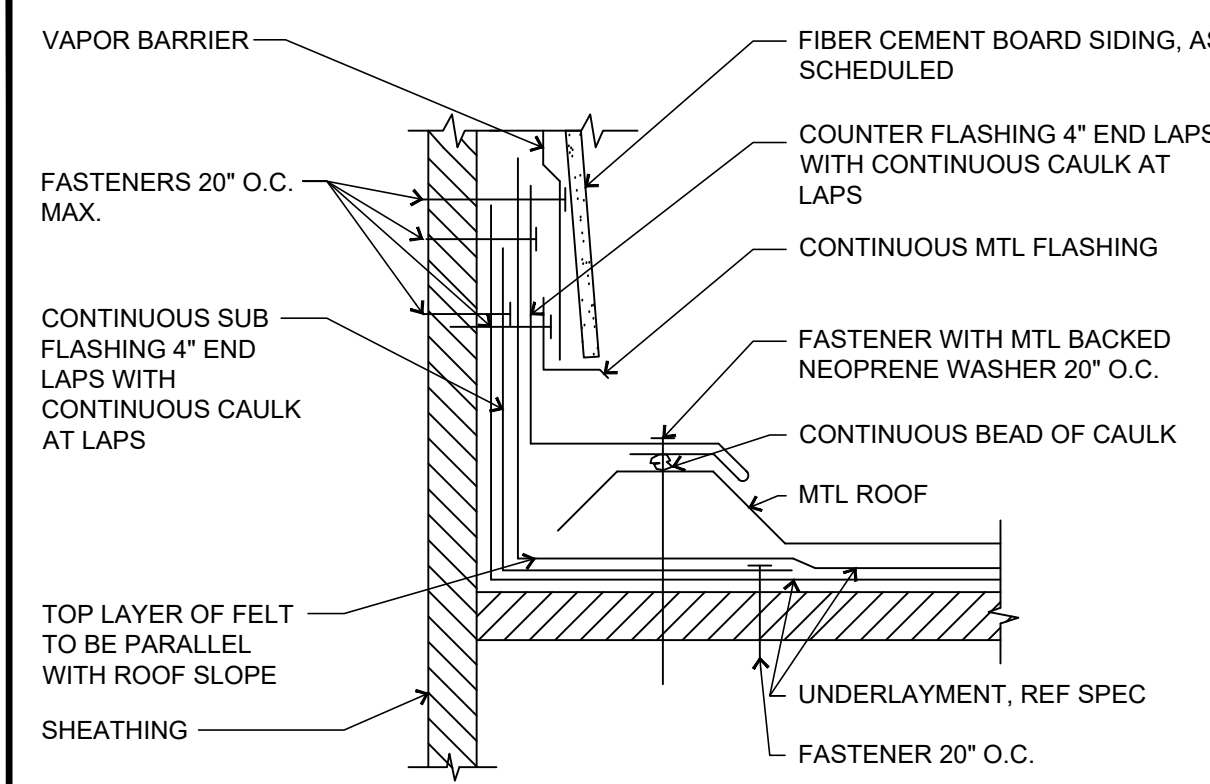
THIS DRAWING WAS PREPARED SOLELY AND EXCLUSIVELY FOR EXECUTION OF THE PROJECT IDENTIFIED WITHIN THESE DOCUMENTS. CONTEMPORANEOUSLY WITH ITS ISSUE DATE THIS DRAWING MAY NOT BE USED ON OTHER PROJECTS OR FOR ADDITIONS TO THE PROJECT OUTSIDE THE SCOPE OF WORK WITHOUT WRITTEN CONSENT OF THE OWNER, ARCHITECT, AND THE ARCHITECT'S CONSULTANTS. THE ARCHITECT AND THE ARCHITECT'S CONSULTANTS ARE THE AUTHORS AND OWNERS OF THEIR RESPECTIVE DRAWINGS AND SPECIFICATIONS, AND RETAIN ALL COMMON LAW, STATUTORY, AND OTHER RIGHTS, INCLUDING COPYRIGHTS.

ISSUE NO.	DATE	DESCRIPTION

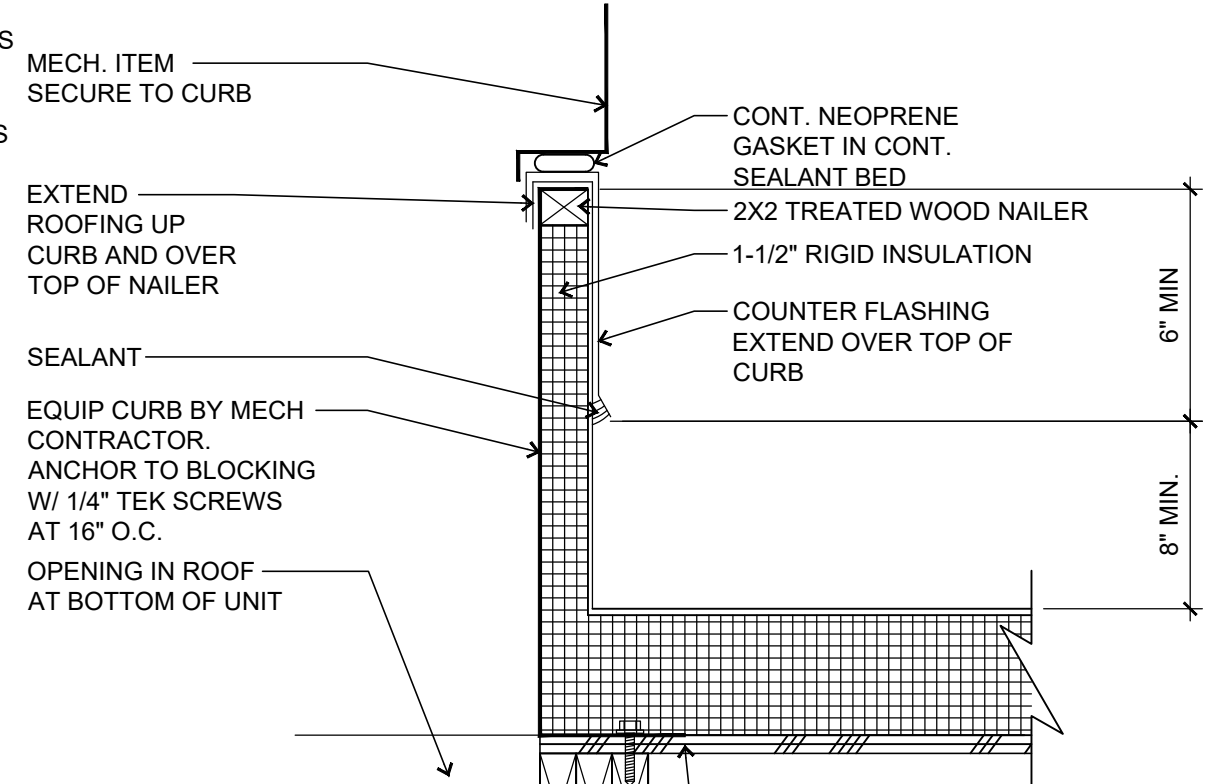
ISSUE DATE: 02/14/2023
PROTO CYCLE: Q2 2022
PROTO SIZE: B1L
CHECKED BY: LJW/DW
DRAWN BY: LW

SHEET NAME
ROOF PLAN

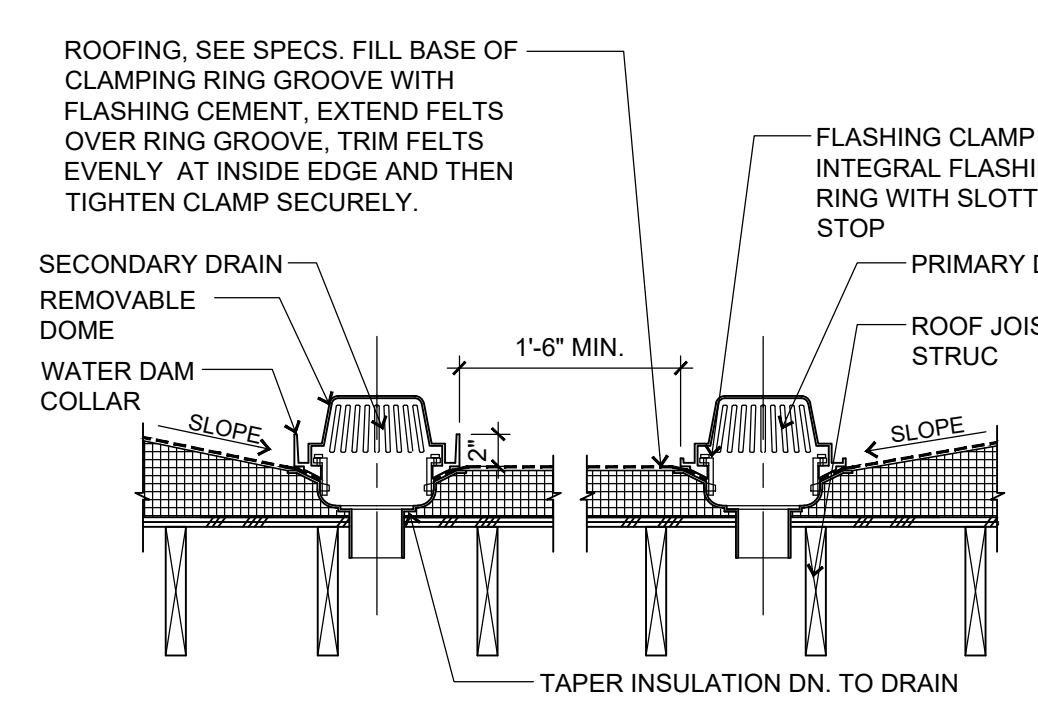
SHEET NUMBER
A1.3



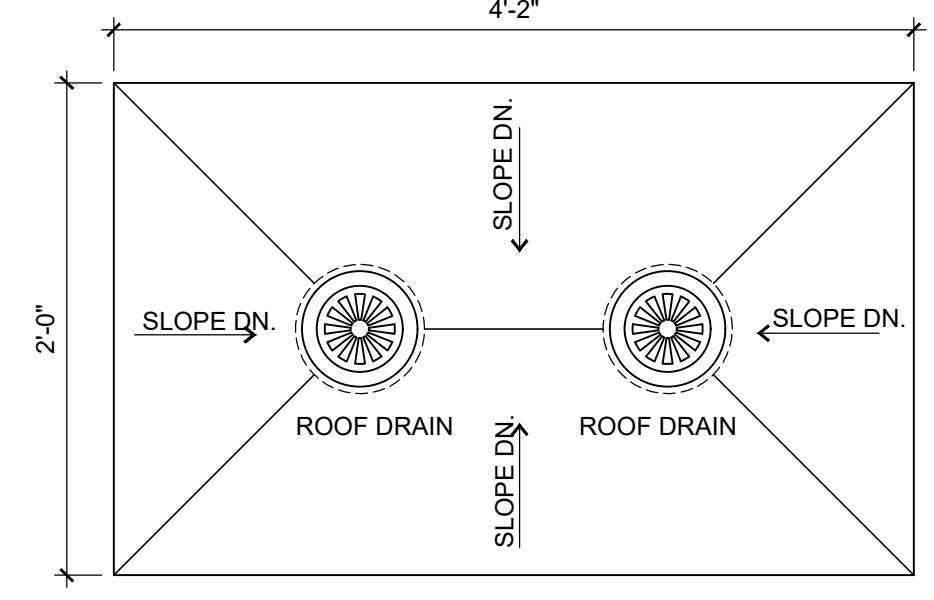
5 METAL ROOF FLASHING @ VERTICAL WALL
SCALE: 3" = 1'-0"



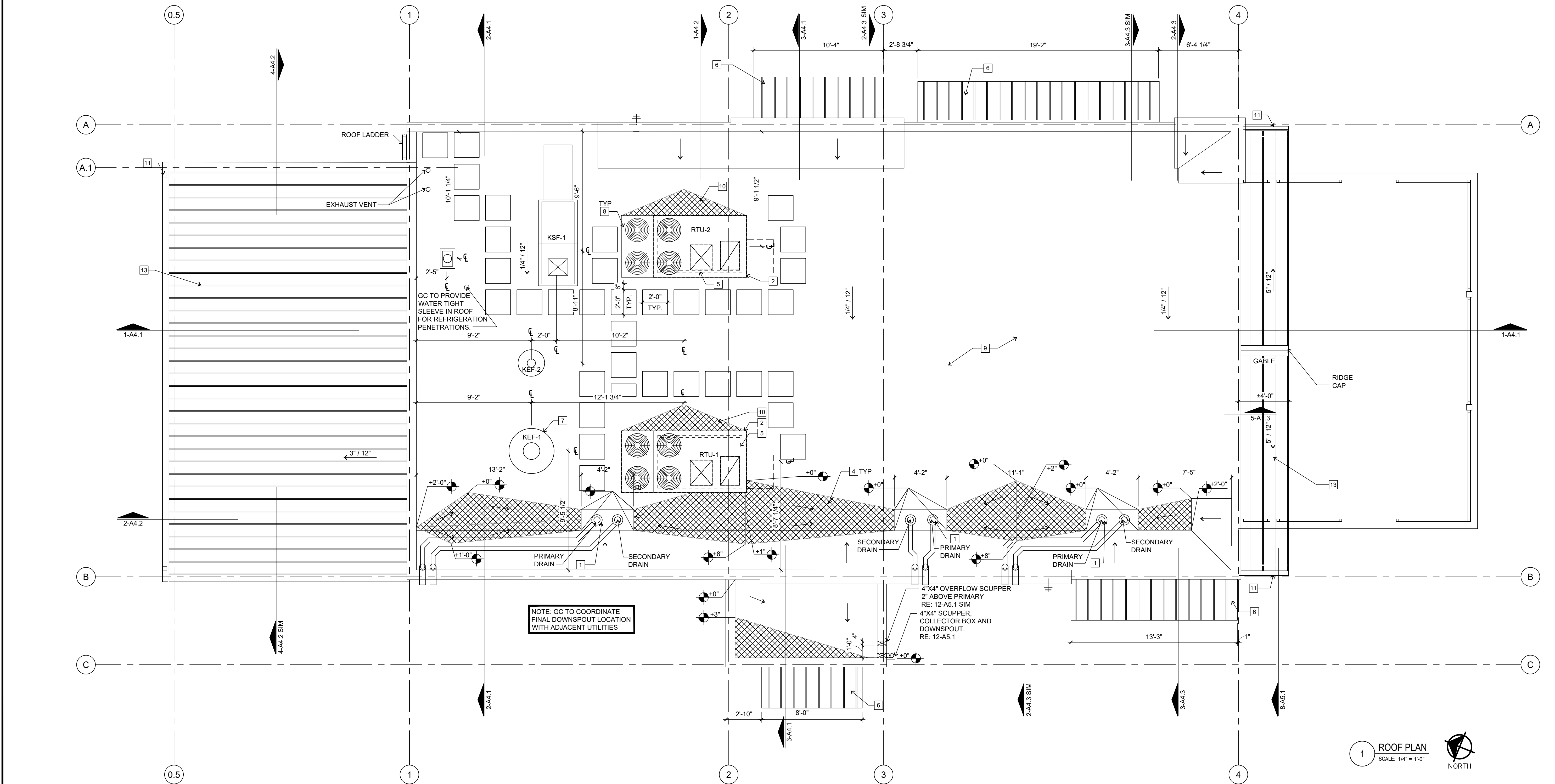
4 TYPICAL ROOF CURB DETAIL
SCALE: 1 1/2" = 1'-0"



3 ROOF DRAIN/OVERFLOW SECTION DETAIL
SCALE: 1" = 1'-0"



2 ROOF DRAIN/OVERFLOW PLAN DETAIL
SCALE: 1" = 1'-0"



NOTE: GC TO COORDINATE FINAL DOWNSPOUT LOCATION WITH ADJACENT UTILITIES

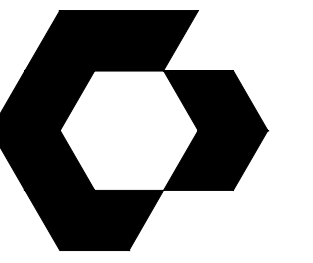
4"X4" OVERFLOW SCUPPER 2" ABOVE PRIMARY RE: 12-A5.1 SIM
4"X4" SCUPPER, COLLECTOR BOX AND DOWNSPOUT. RE: 12-A5.1

1 ROOF PLAN
SCALE: 1/4" = 1'-0"



SHEET NOTES

- REF A1.5 FOR FINISH LEGEND.
- SIGNAGE COMPANY TO PERMIT THE LARGEST POSSIBLE SIGNAGE. COORDINATE WITH AHJ.
- SIGNAGE COMPANY TO PROVIDE A PYLON SIGN TO THE MAXIMUM EXTENTS ALLOWED BY THE AHJ.

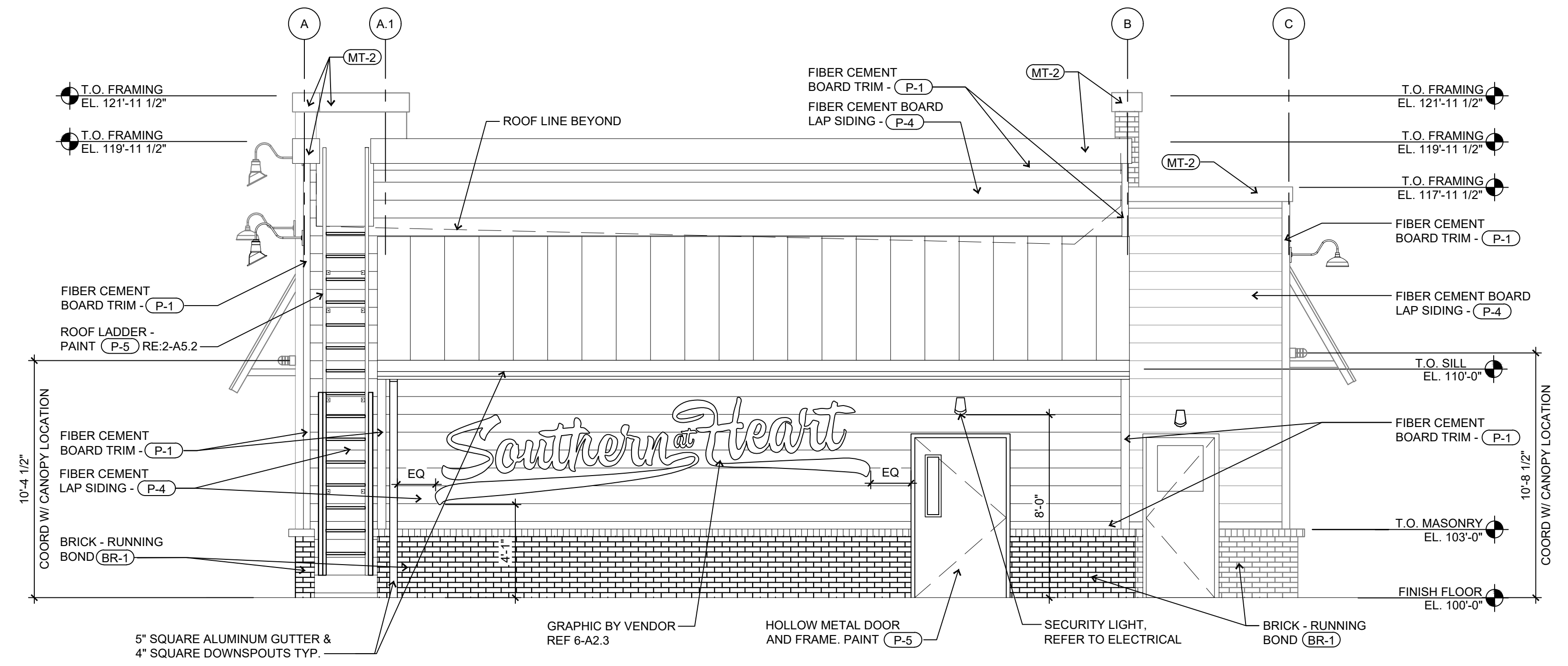


CYNTERGY
810 S CINCINNATI AVE, STE 200
TULSA, OK 74119
918.877.6000

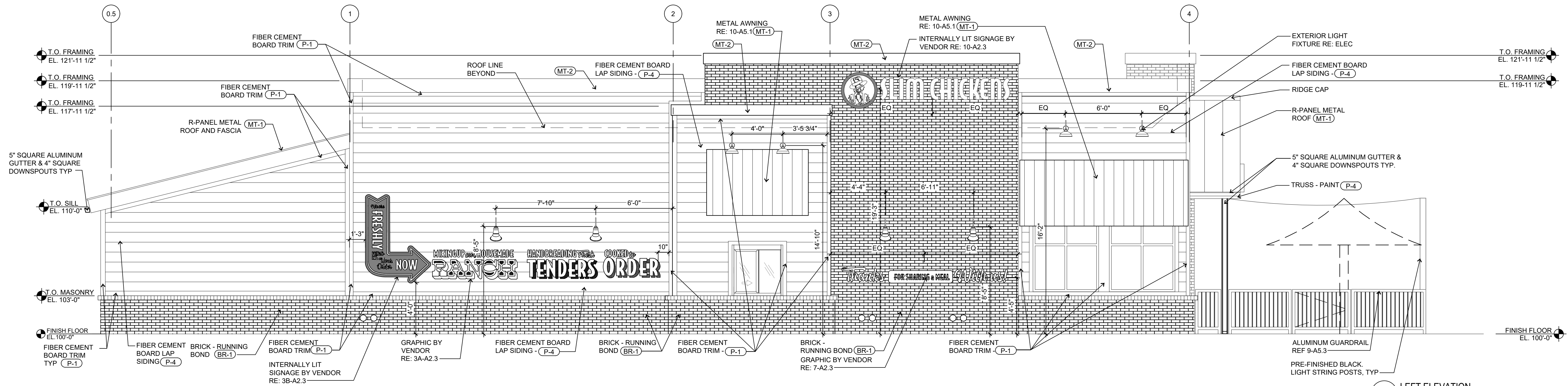


DOCUMENTS WITHOUT SIGNATURE AND REQUIRED SEAL OF AOR / EOR ARE NOT FOR CONSTRUCTION.

SLIM CHICKENS
SAN ANTONIO, TX



2 REAR ELEVATION
SCALE: 1/4" = 1'-0"



1 LEFT ELEVATION
SCALE: 1/4" = 1'-0"

THIS DRAWING WAS PREPARED SOLELY AND EXCLUSIVELY FOR EXECUTION OF THE PROJECT IDENTIFIED WITHIN THESE DOCUMENTS. CONTEMPORANEOUSLY WITH ITS ISSUE DATE THIS DRAWING MAY NOT BE USED ON OTHER PROJECTS OR FOR ADDITIONS TO THE PROJECT OUTSIDE THE SCOPE OF WORK WITHOUT WRITTEN CONSENT OF THE OWNER, ARCHITECT, AND THE ARCHITECT'S CONSULTANTS. THE ARCHITECT AND THE ARCHITECT'S CONSULTANTS ARE THE AUTHORS AND OWNERS OF THEIR RESPECTIVE DRAWINGS AND SPECIFICATIONS, AND RETAIN ALL COMMON LAW, STATUTORY, AND OTHER RIGHTS, INCLUDING COPYRIGHTS.

ISSUES / REVISIONS

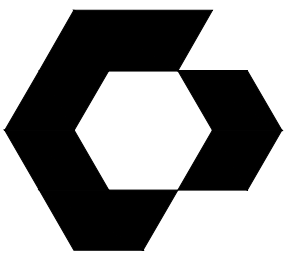
NO.	DATE	DESCRIPTION

ISSUE DATE: 02/14/2023
PROTO CYCLE: Q2 2022
PROTO SIZE: B1L
CHECKED BY: LJW/DW
DRAWN BY: LW

SHEET NUMBER
EXTERIOR ELEVATIONS

A2.2

V:\Slim Chickens\San Antonio, TX\04-CAD\Sheets\A2.2-EXTERIOR ELEVATIONS.dwg
Printed: 2/20/2023 10:55:41 AM



CYNERGY
810 S CINCINNATI AVE, STE 200
TULSA, OK 74119
918.877.6000

SIGN SPECIFICATIONS	
1. PYLON/DIRECTIONAL SIGNS:	PROVIDE CONDUIT FROM ELECTRICAL PANEL TO LOCATION OF THE SIGN BASE. BURY CONDUIT UNDER PARKING AREA. THE CONDUIT IS TO BE 1" AND HAVE ONE SET OF 10/2 WIRE WITH GROUND.
2. FINAL ELECTRICAL CONNECTIONS FOR SIGN SHALL BE THE SIGN VENDORS RESPONSIBILITY SINCE THE 'U' BOX AND WIRES ARE IN PLACE.	

SITE SIGNAGE		
SIGN	OVERALL SIZE	SIGN SQFT.
PYLON SIGN (x2 SIDES)	10'-3" X 10'-0" X 1'-6"	67
DIRECTIONAL SIGN - DRIVE-THRU (x2 SIDES)	3'-0" X 2'-0" X 8"	2
	TOTAL	138

SHEET FOR REFERENCE ONLY

DOCUMENTS WITHOUT SIGNATURE AND REQUIRED SEAL OF AOR / EOR ARE NOT FOR CONSTRUCTION.



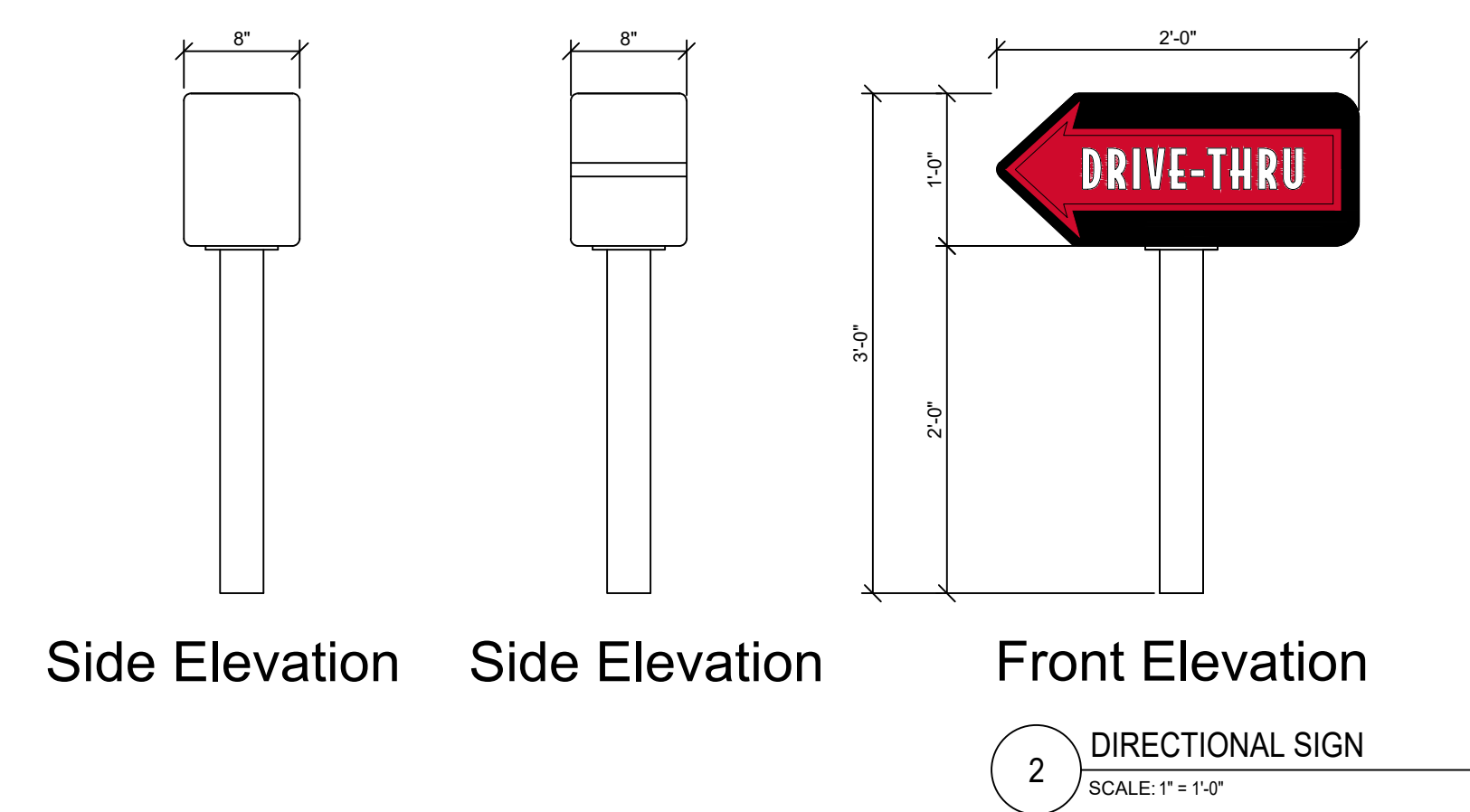
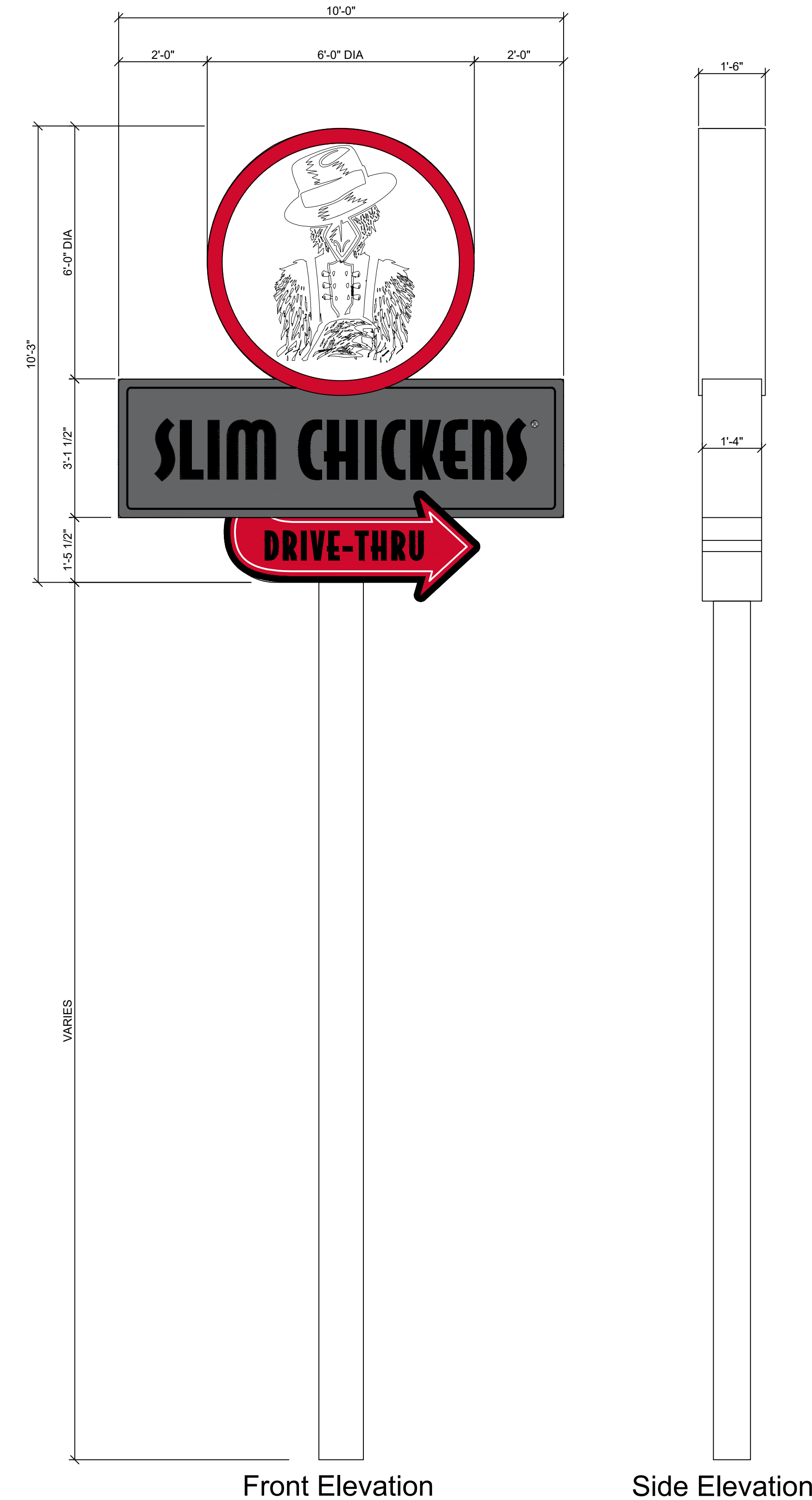
THIS DRAWING WAS PREPARED SOLELY AND EXCLUSIVELY FOR EXECUTION OF THE PROJECT IDENTIFIED WITHIN THESE DOCUMENTS. THIS DRAWING MAY NOT BE USED ON OTHER PROJECTS OR FOR ADDITIONS TO THE PROJECT OUTSIDE THE SCOPE OF WORK WITHOUT WRITTEN CONSENT OF THE OWNER, ARCHITECT, AND THE ARCHITECT'S CONSULTANTS. THE ARCHITECT AND THE ARCHITECT'S CONSULTANTS ARE THE AUTHORS AND OWNERS OF THEIR RESPECTIVE DRAWINGS AND SPECIFICATIONS, AND RETAIN ALL COMMON LAW, STATUTORY, AND OTHER RIGHTS, INCLUDING COPYRIGHTS.

ISSUES / REVISIONS	

ISSUE DATE: 02/14/2023
PROTO CYCLE: Q2 2022
PROTO SIZE: B1L
CHECKED BY: LJW/DW
DRAWN BY: LW

SHEET NAME
SITE SIGNAGE

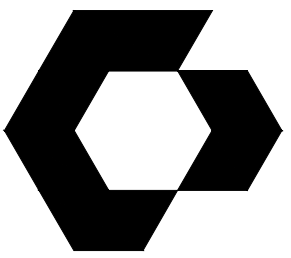
SHEET NUMBER
A2.4



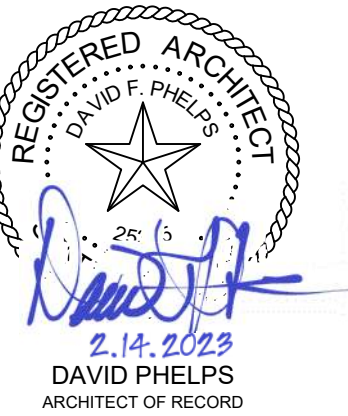
Side Elevation Side Elevation Front Elevation Front Elevation Side Elevation

2 DIRECTIONAL SIGN
SCALE: 1" = 1'-0"

1 PYLON SIGN
SCALE: 1/2" = 1'-0"



CYNERGY
810 S CINCINNATI AVE, STE 200
TULSA, OK 74119
918.877.6000

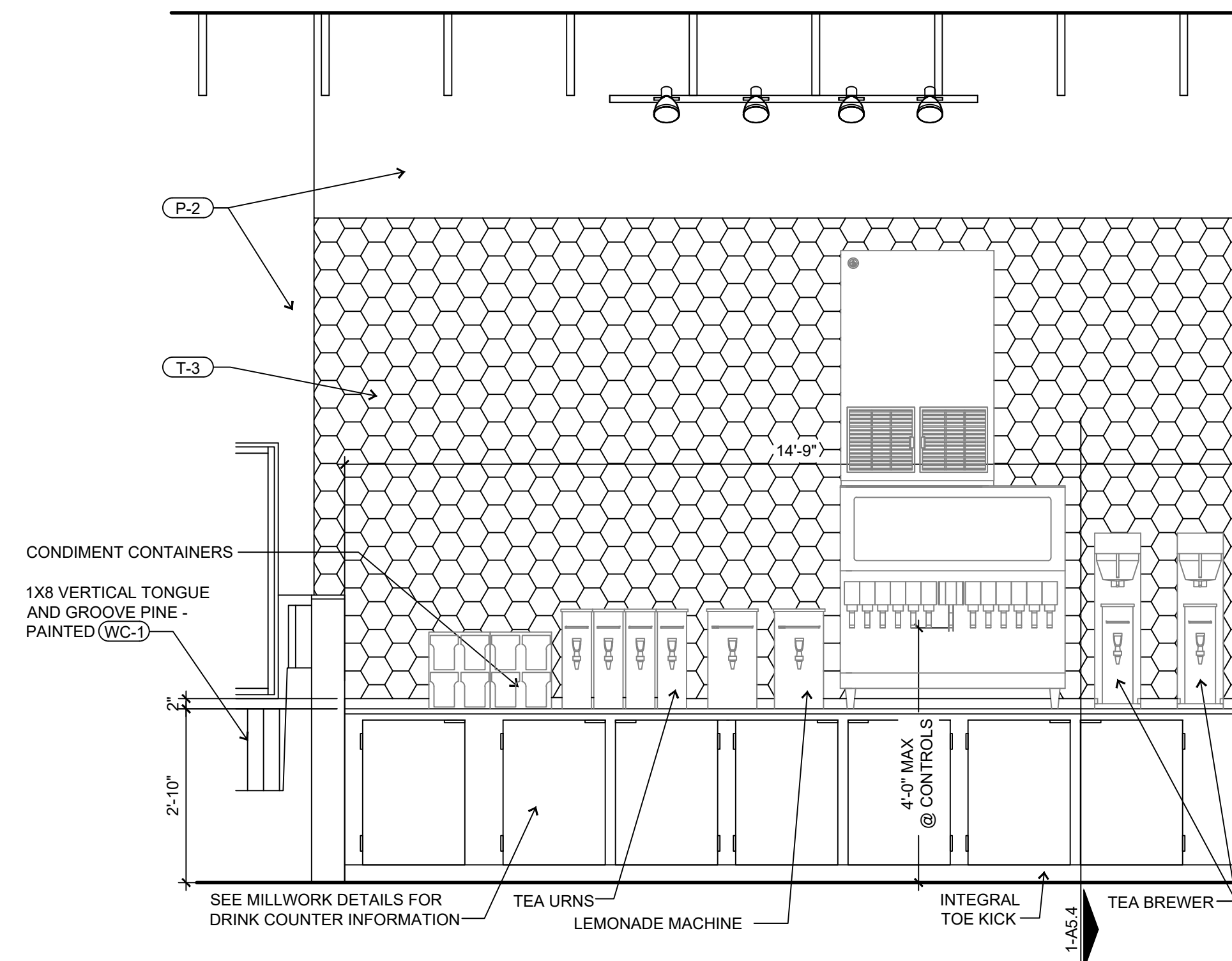


DOCUMENTS WITHOUT
SIGNATURE AND REQUIRED SEAL
OF AOR / EOR ARE NOT FOR
CONSTRUCTION.

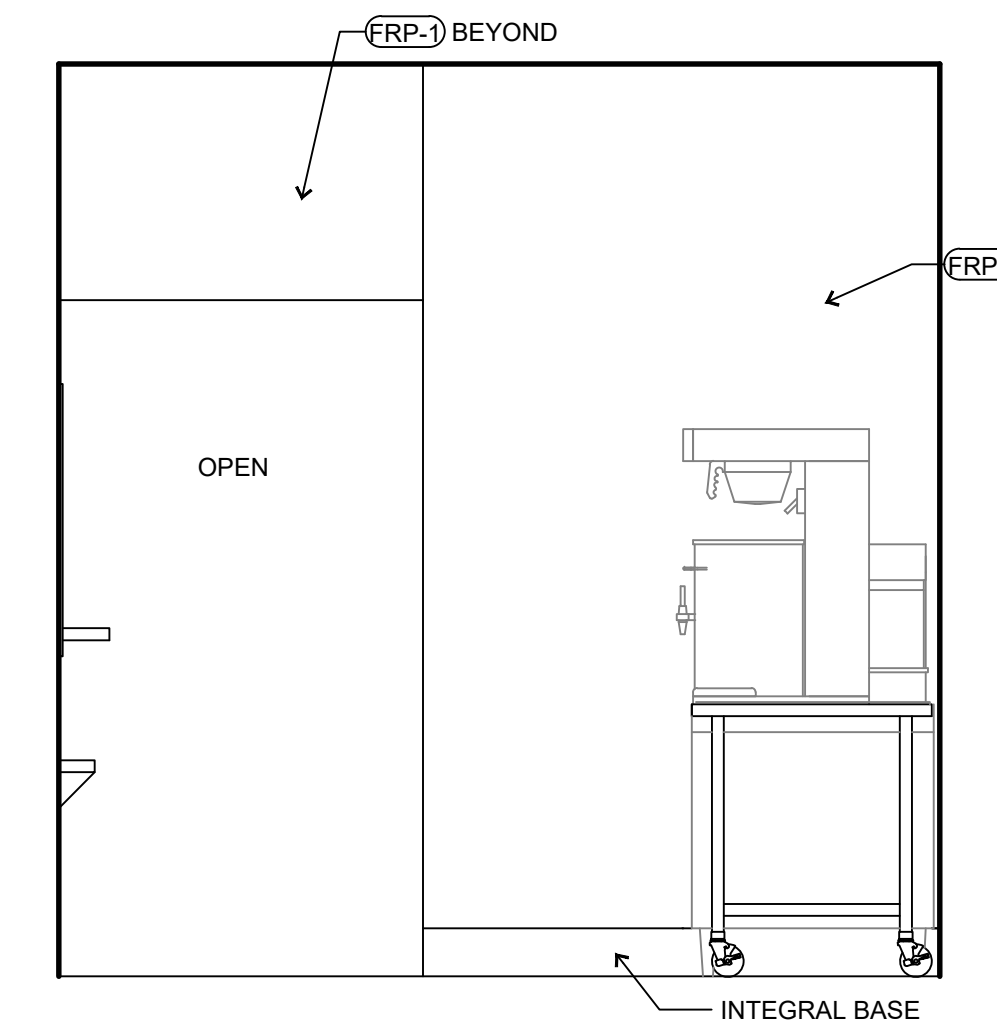


SLIM CHICKENS
SAN ANTONIO, TX

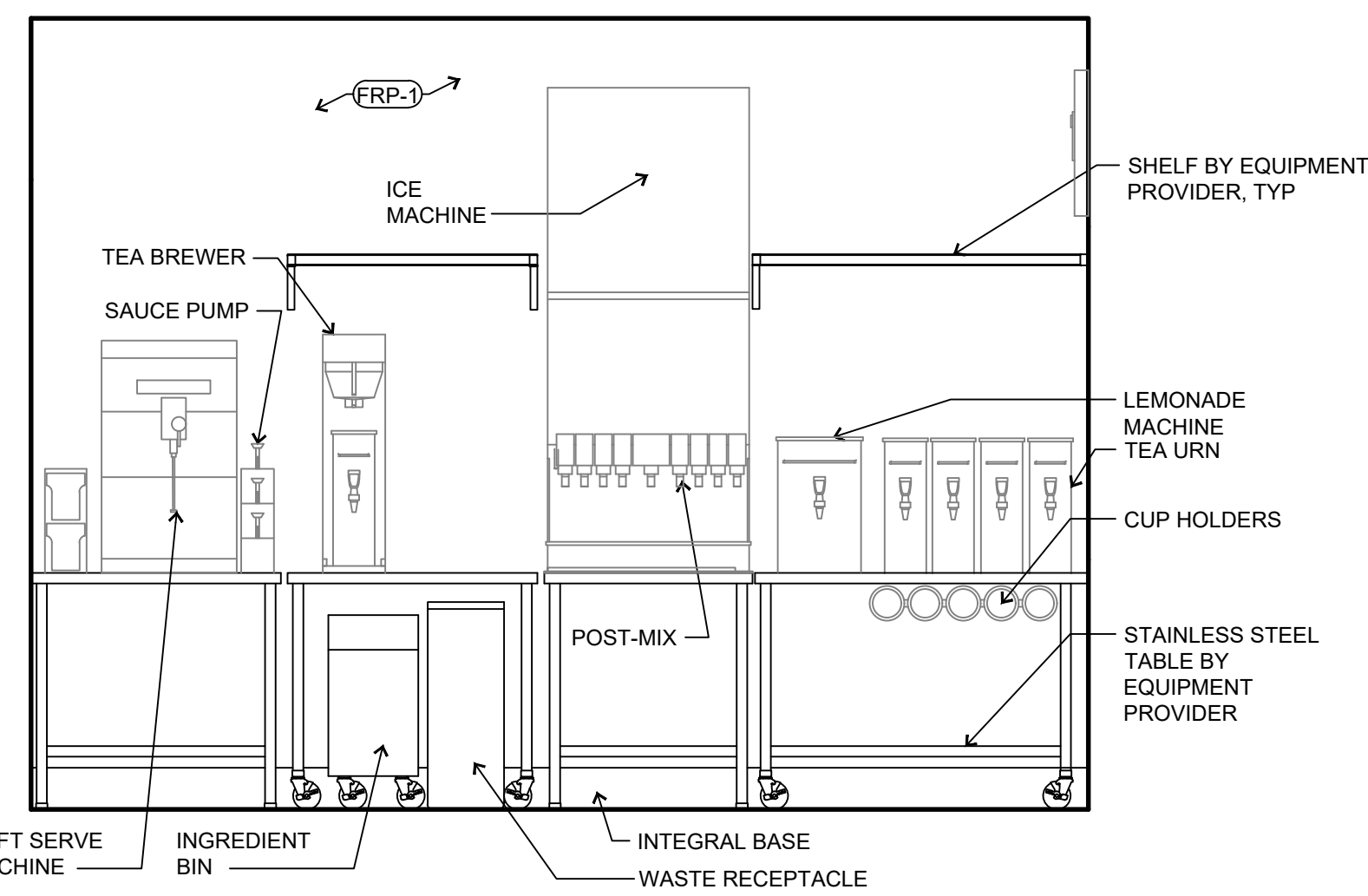
Printed: 2/20/2023 10:55:44 AM V:\Slim Chickens\San Antonio, TX\04-CAD\Sheet\A3.2-INTERIOR ELEVATIONS.dwg



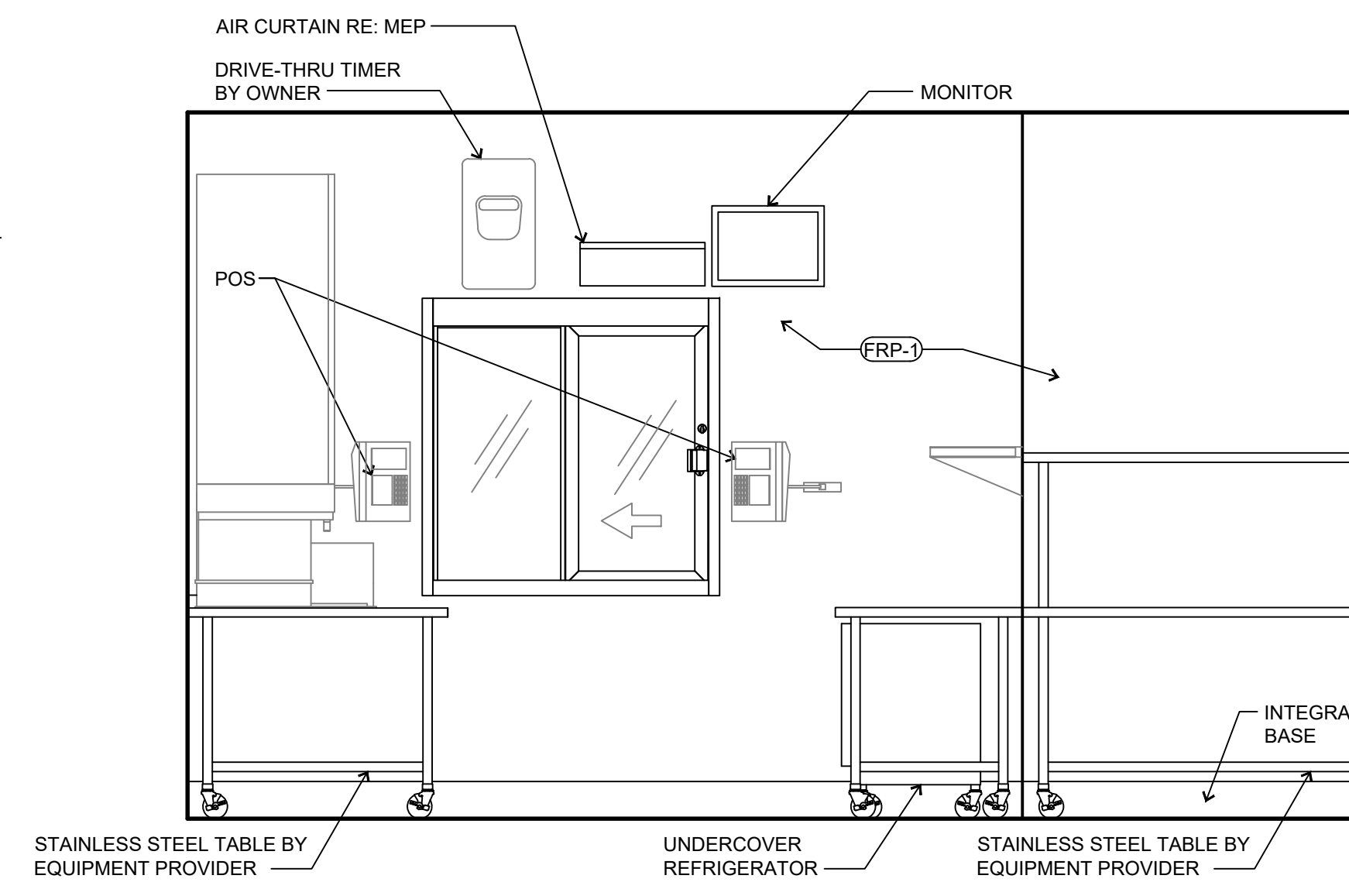
5 DRINK STATION
SCALE: 1/2" = 1'-0"



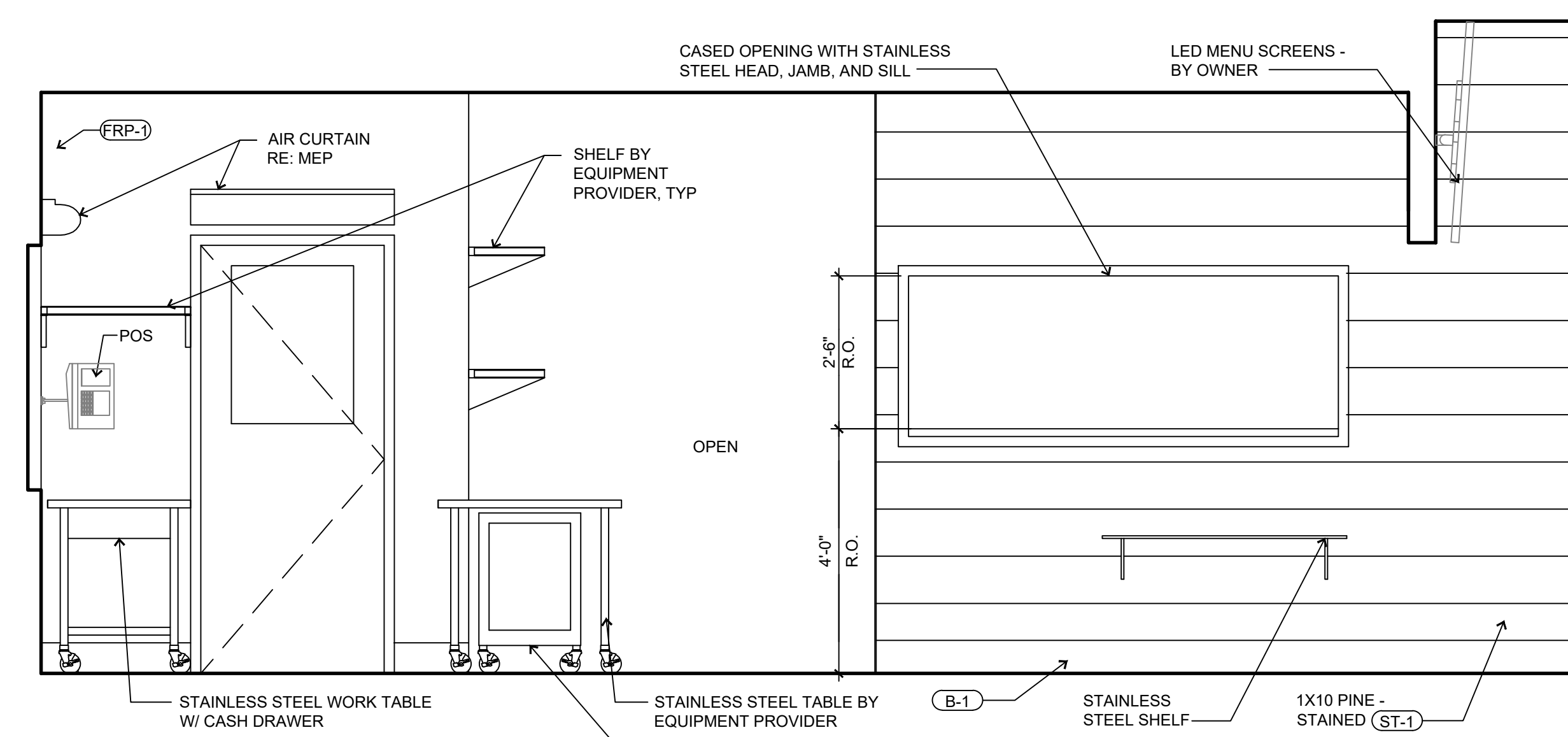
4 DRIVE-THRU STATION
SCALE: 1/2" = 1'-0"



3 DRIVE-THRU STATION
SCALE: 1/2" = 1'-0"



2 DRIVE-THRU STATION
SCALE: 1/2" = 1'-0"



1 ORDERING STATION
SCALE: 1/2" = 1'-0"

THIS DRAWING WAS PREPARED SOLELY AND EXCLUSIVELY FOR EXECUTION OF THE PROJECT IDENTIFIED WITHIN THESE DOCUMENTS. CONTEMPORANEOUSLY WITH ITS ISSUE DATE THIS DRAWING MAY NOT BE USED ON OTHER PROJECTS OR FOR ADDITIONS TO THE PROJECT OUTSIDE THE SCOPE OF WORK WITHOUT WRITTEN CONSENT OF THE OWNER, ARCHITECT, AND THE ARCHITECT'S CONSULTANTS. THE ARCHITECT AND THE ARCHITECT'S CONSULTANTS ARE THE AUTHORS AND OWNERS OF THEIR RESPECTIVE DRAWINGS AND SPECIFICATIONS, AND RETAIN ALL COMMON LAW, STATUTORY, AND OTHER RIGHTS, INCLUDING COPYRIGHTS.

ISSUES / REVISIONS

NO.	DATE	DESCRIPTION

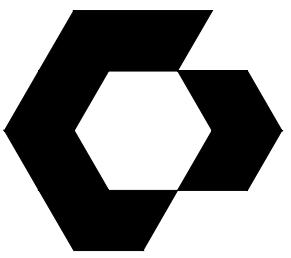
ISSUE DATE: 02/14/2023
PROTO CYCLE: Q2 2022
PROTO SIZE: B1L
CHECKED BY: LJW/DW
DRAWN BY: LW

SHEET NAME

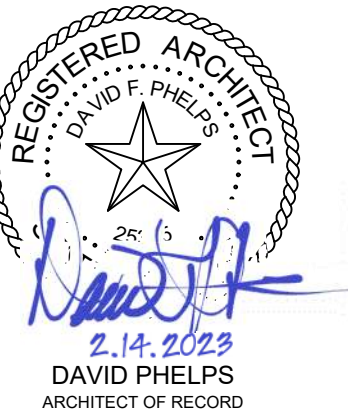
INTERIOR ELEVATIONS

SHEET NUMBER

A3.2



CYNERGY
810 S CINCINNATI AVE, STE 200
TULSA, OK 74119
918.877.6000



DOCUMENTS WITHOUT
SIGNATURE AND REQUIRED SEAL
OF AOR / EOR ARE NOT FOR
CONSTRUCTION.



SAN ANTONIO, TX

THIS DRAWING WAS PREPARED SOLELY AND EXCLUSIVELY FOR EXECUTION OF THE PROJECT IDENTIFIED WITHIN THESE DOCUMENTS. CONTEMPORANEOUSLY WITH ITS ISSUE DATE THIS DRAWING MAY NOT BE USED ON OTHER PROJECTS OR FOR ADDITIONS TO THE PROJECT OUTSIDE THE SCOPE OF WORK WITHOUT WRITTEN CONSENT OF THE OWNER, ARCHITECT, AND THE ARCHITECT'S CONSULTANTS. THE ARCHITECT AND THE ARCHITECT'S CONSULTANTS ARE THE AUTHORS AND OWNERS OF THEIR RESPECTIVE DRAWINGS AND SPECIFICATIONS, AND RETAIN ALL COMMON LAW, STATUTORY, AND OTHER RIGHTS, INCLUDING COPYRIGHTS.

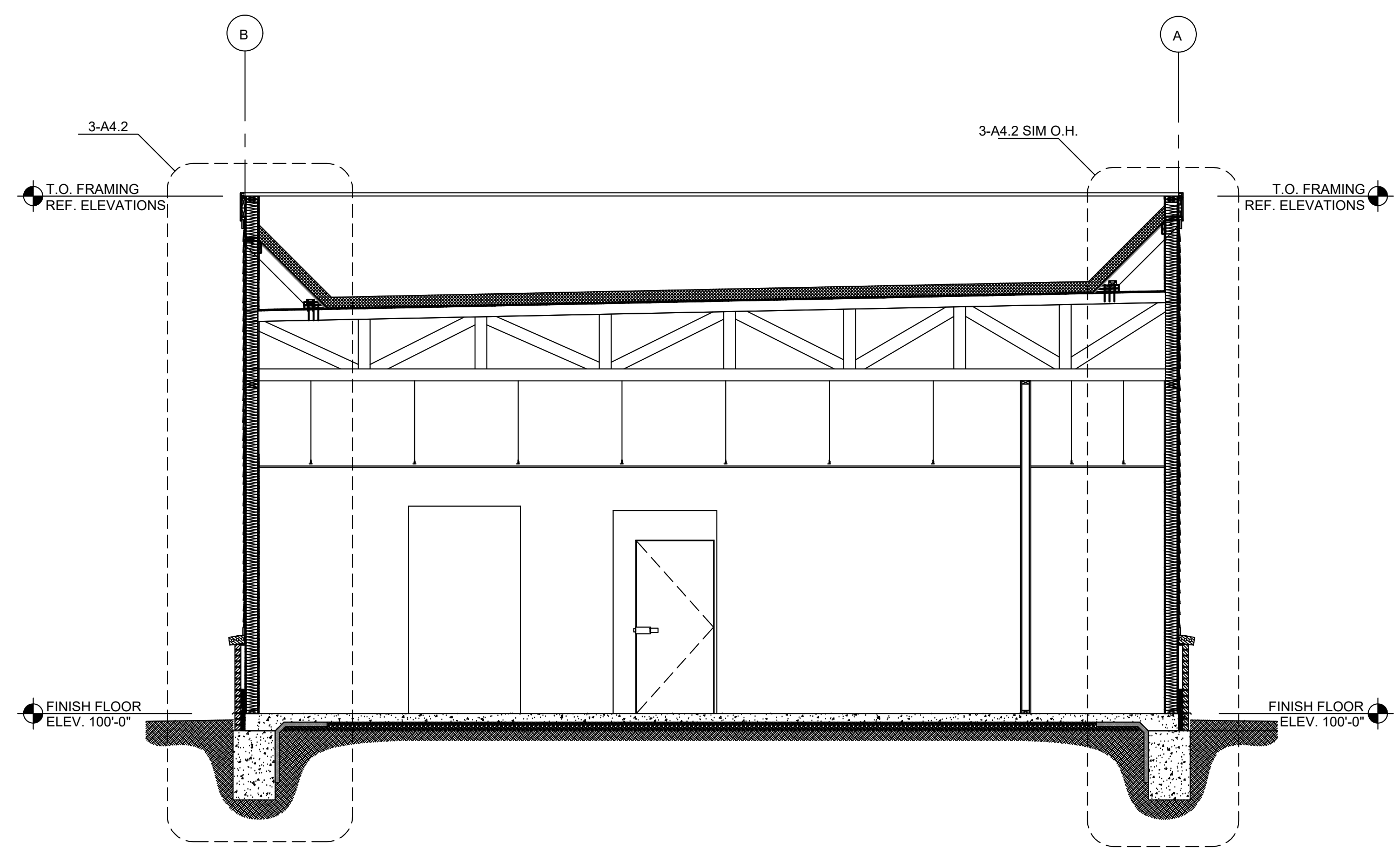
ISSUES / REVISIONS

NO.	DESCRIPTION	DATE

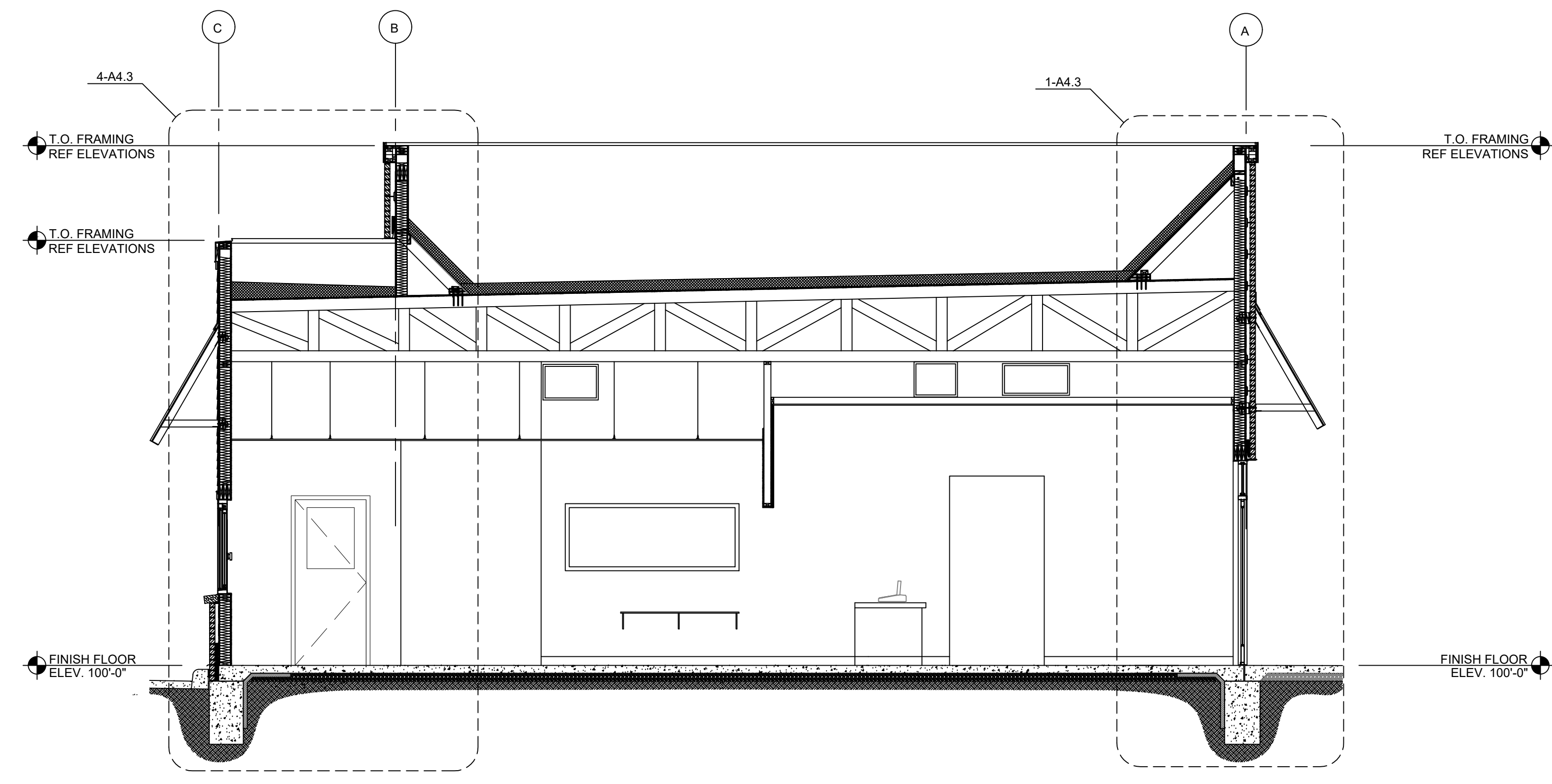
ISSUE DATE: 02/14/2023
PROTO CYCLE: Q2 2022
PROTO SIZE: B1L
CHECKED BY:
DRAWN BY:

SHEET NAME
BUILDING SECTIONS

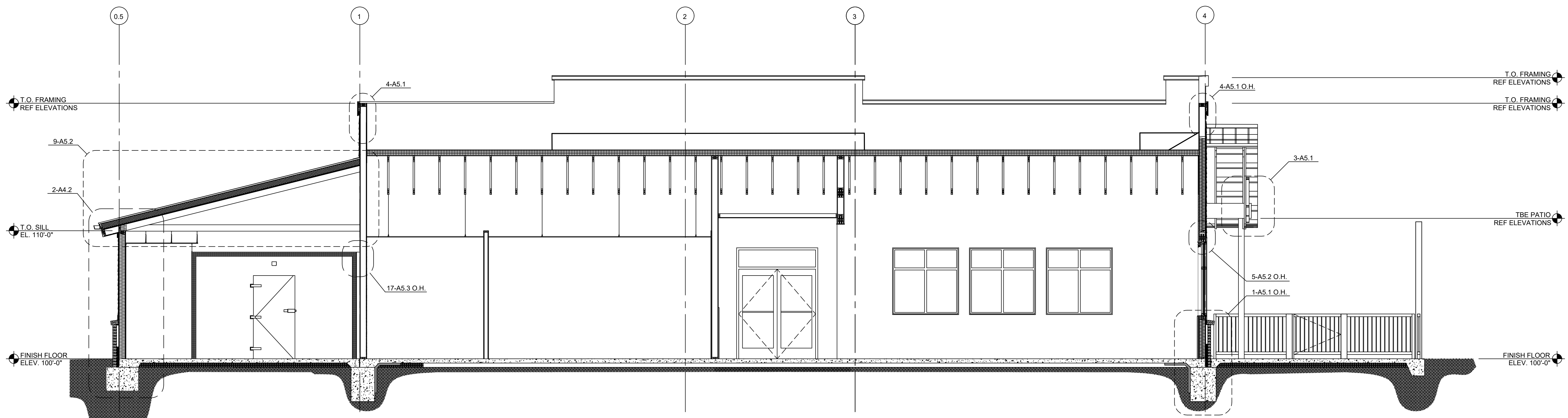
SHEET NUMBER
A4.1



2 BUILDING SECTION
SCALE: 1/4" = 1'-0"

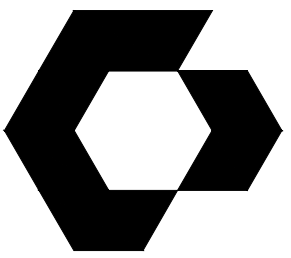


3 BUILDING SECTION
SCALE: 1/4" = 1'-0"



1 BUILDING SECTION
SCALE: 1/4" = 1'-0"

Printed: 2/15/2023 11:55:14 AM V:\Slim Chickens\San Antonio, TX\04-CAD\Sheets\A4-1-BUILDING SECTIONS.dwg



CYNERGY
810 S CINCINNATI AVE, STE 200
TULSA, OK 74119
918.877.6000



DOCUMENTS WITHOUT
SIGNATURE AND REQUIRED SEAL
OF AOR / EOR ARE NOT FOR
CONSTRUCTION.

SLIM CHICKENS
SAN ANTONIO, TX

THIS DRAWING WAS PREPARED SOLELY AND EXCLUSIVELY FOR EXECUTION OF THE PROJECT IDENTIFIED WITHIN THESE DOCUMENTS. CONTEMPORANEOUSLY WITH ITS ISSUE DATE THIS DRAWING MAY NOT BE USED ON OTHER PROJECTS OR FOR ADDITIONS TO THE PROJECT OUTSIDE THE SCOPE OF WORK WITHOUT WRITTEN CONSENT OF THE OWNER, ARCHITECT, AND THE ARCHITECT'S CONSULTANTS. THE ARCHITECT AND THE ARCHITECT'S CONSULTANTS ARE THE AUTHORS AND OWNERS OF THEIR RESPECTIVE DRAWINGS AND SPECIFICATIONS, AND RETAIN ALL COMMON LAW, STATUTORY, AND OTHER RIGHTS, INCLUDING COPYRIGHTS.

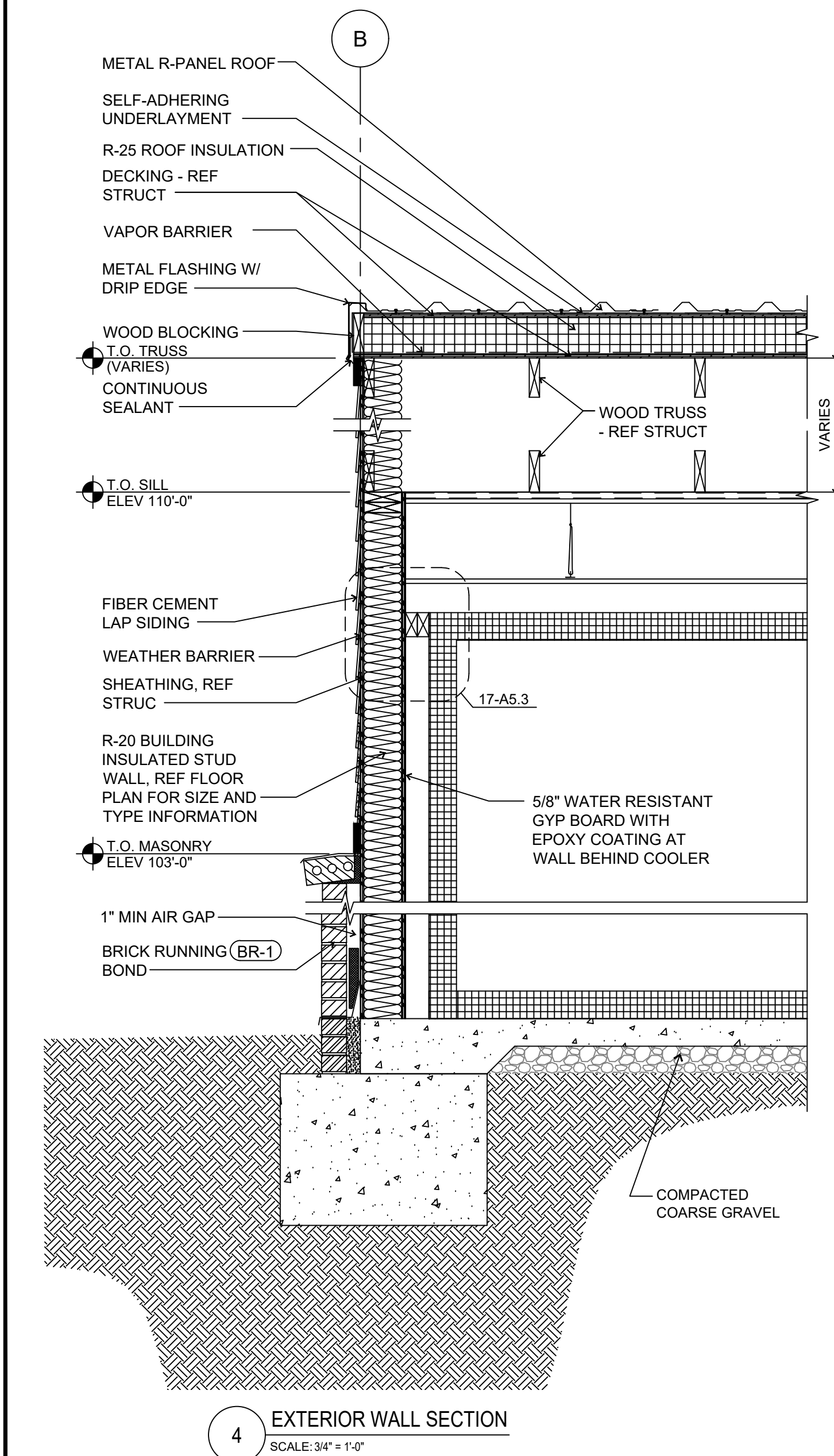
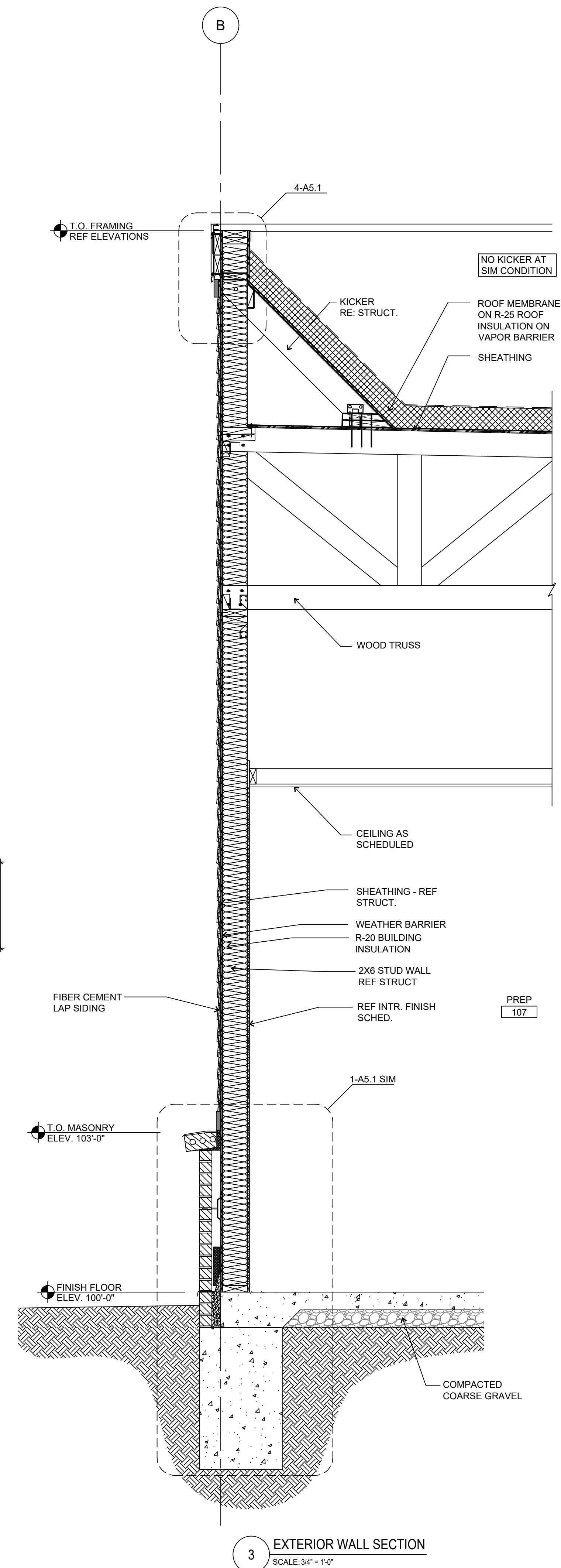
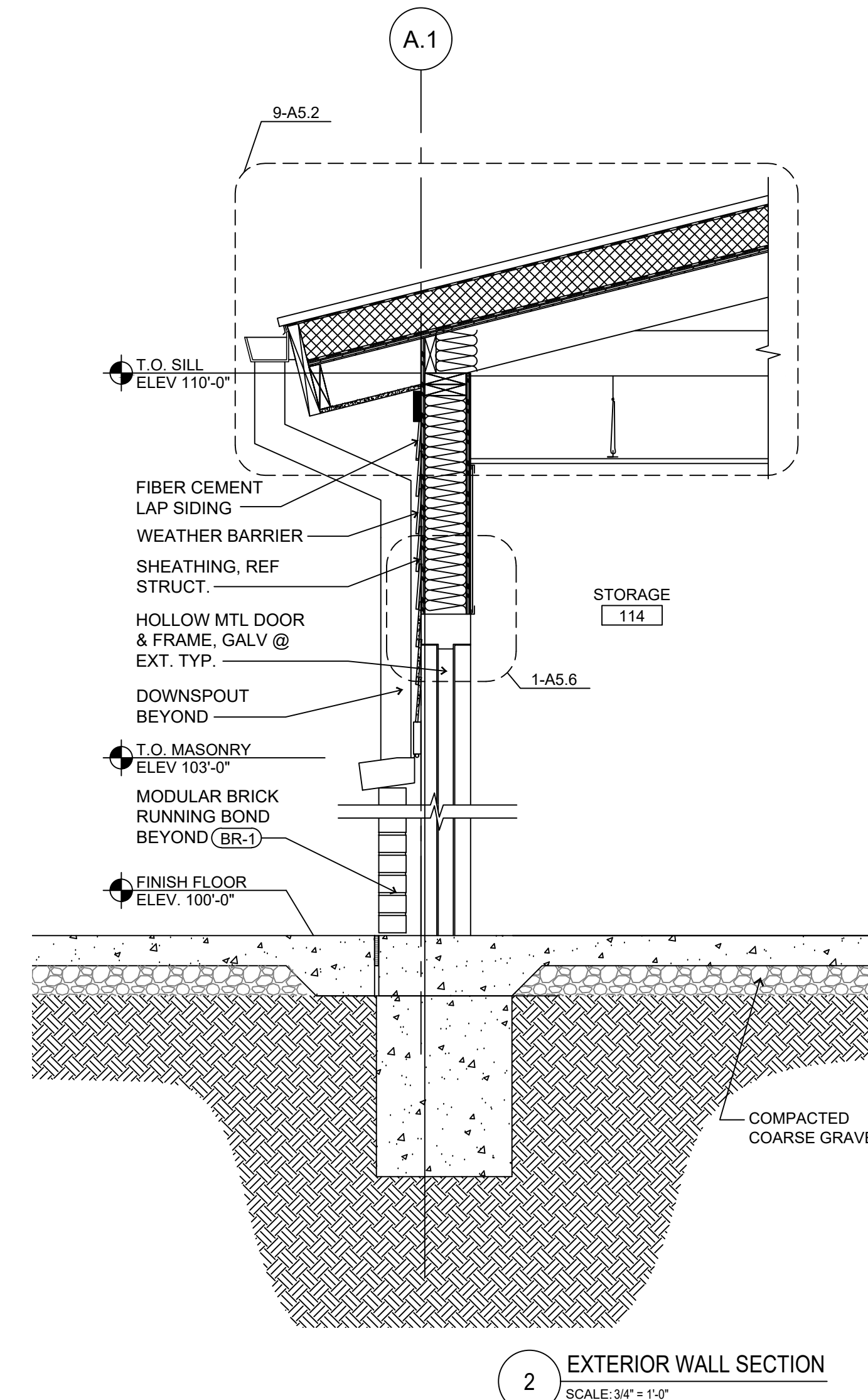
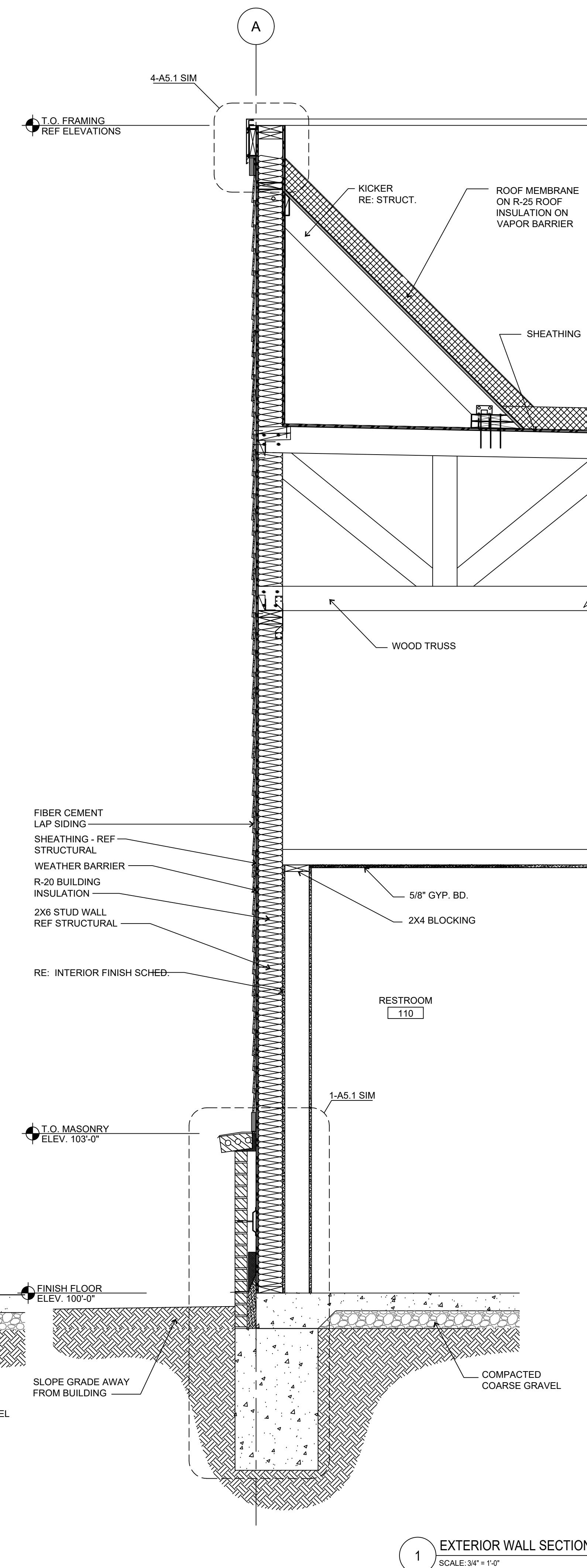
ISSUES / REVISIONS

NO.	DESCRIPTION	DATE

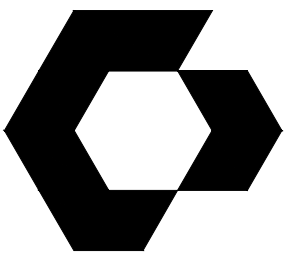
ISSUE DATE: 02/14/2023
PROTO CYCLE: Q2 2022
PROTO SIZE: B1L
CHECKED BY:
DRAWN BY:

SHEET NAME
WALL SECTIONS

SHEET NUMBER
A4.2



V:\Slim Chickens\San Antonio, TX\04-CAD\Sheet\A4.2-WALL-SECTIONS.dwg
Printed: 2/20/2023 3:43:09 PM



CYNERGY
810 S CINCINNATI AVE, STE 200
TULSA, OK 74119
918.877.6000



DOCUMENTS WITHOUT
SIGNATURE AND REQUIRED SEAL
OF AOR / EOR ARE NOT FOR
CONSTRUCTION.

SLIM CHICKENS
SAN ANTONIO, TX

THIS DRAWING WAS PREPARED SOLELY AND EXCLUSIVELY FOR EXECUTION OF THE PROJECT IDENTIFIED WITHIN THESE DOCUMENTS. CONTEMPORANEOUSLY WITH ITS ISSUE DATE THIS DRAWING MAY NOT BE USED ON OTHER PROJECTS OR FOR ADDITIONS TO THE PROJECT OUTSIDE THE SCOPE OF WORK WITHOUT WRITTEN CONSENT OF THE OWNER, ARCHITECT, AND THE ARCHITECT'S CONSULTANTS. THE ARCHITECT AND THE ARCHITECT'S CONSULTANTS ARE THE AUTHORS AND OWNERS OF THEIR RESPECTIVE DRAWINGS AND SPECIFICATIONS, AND RETAIN ALL COMMON LAW, STATUTORY, AND OTHER RIGHTS, INCLUDING COPYRIGHTS.

ISSUES / REVISIONS

NO.	DATE	DESCRIPTION

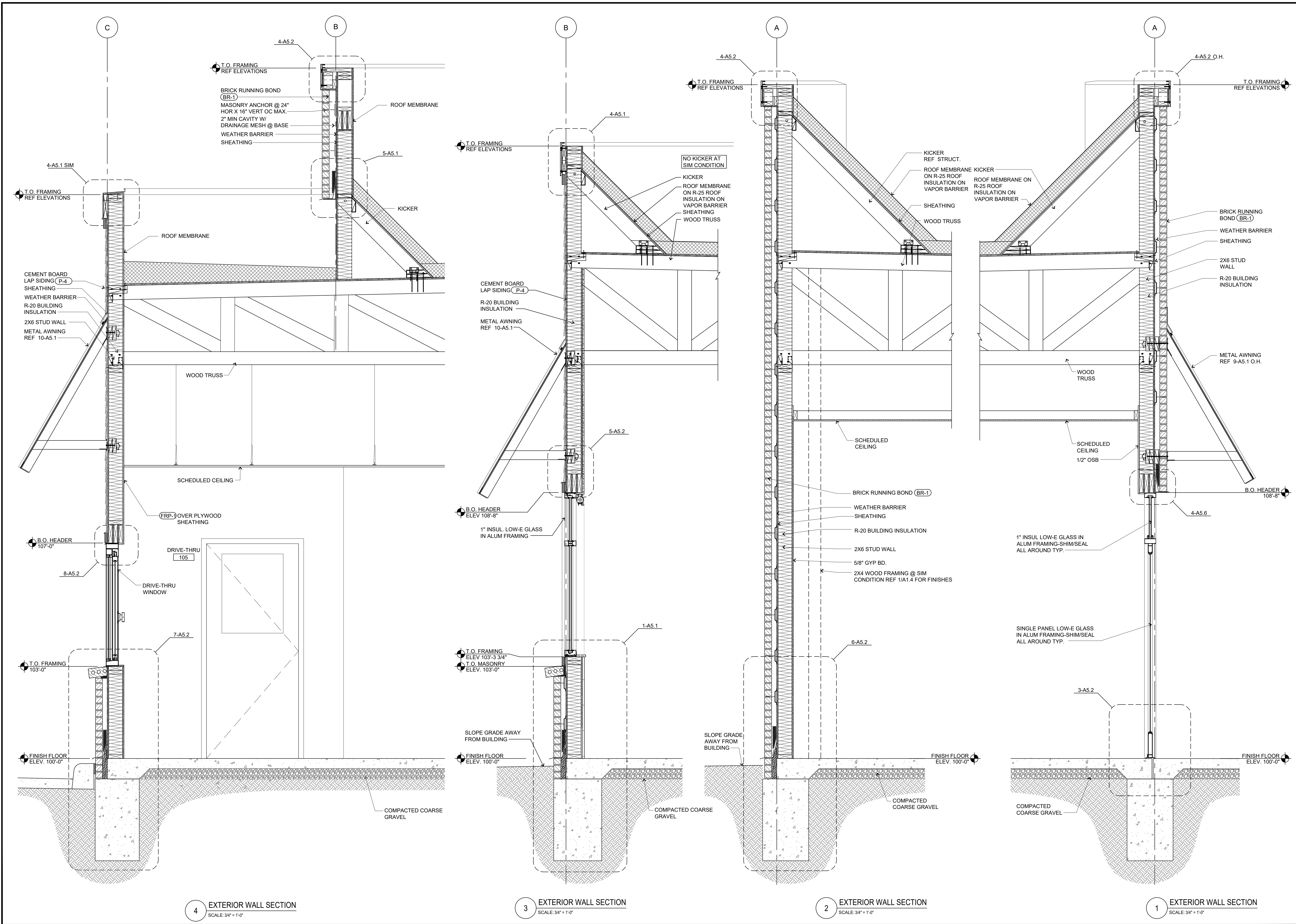
ISSUE DATE: 02/14/2023
PROTO CYCLE: Q2 2022
PROTO SIZE: B1L
CHECKED BY:
DRAWN BY:

SHEET NAME

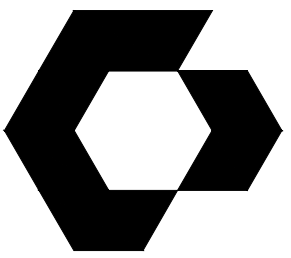
WALL SECTIONS

SHEET NUMBER

A4.3



Printed: 2/14/2023 10:53:49 AM V:\Slim Chickens\San Antonio, TX\04-CAD\Sheet\A4.3 WALL - SECTIONS.dwg



CYNERGY
810 S CINCINNATI AVE, STE 200
TULSA, OK 74119
918.877.6000



DOCUMENTS WITHOUT
SIGNATURE AND REQUIRED SEAL
OF AOR / EOR ARE NOT FOR
CONSTRUCTION.

SLIM CHICKENS
SAN ANTONIO, TX

THIS DRAWING WAS PREPARED SOLELY AND EXCLUSIVELY FOR EXECUTION OF THE PROJECT IDENTIFIED WITHIN THESE DOCUMENTS. CONTEMPORANEOUSLY WITH ITS ISSUE DATE THIS DRAWING MAY NOT BE USED ON OTHER PROJECTS OR FOR ADDITIONS TO THE PROJECT OUTSIDE THE SCOPE OF WORK WITHOUT WRITTEN CONSENT OF THE OWNER, ARCHITECT, AND THE ARCHITECT'S CONSULTANTS. THE ARCHITECT AND THE ARCHITECT'S CONSULTANTS ARE THE AUTHORS AND OWNERS OF THEIR RESPECTIVE DRAWINGS AND SPECIFICATIONS, AND RETAIN ALL COMMON LAW, STATUTORY, AND OTHER RIGHTS, INCLUDING COPYRIGHTS.

ISSUES / REVISIONS

NO.	DESCRIPTION	DATE

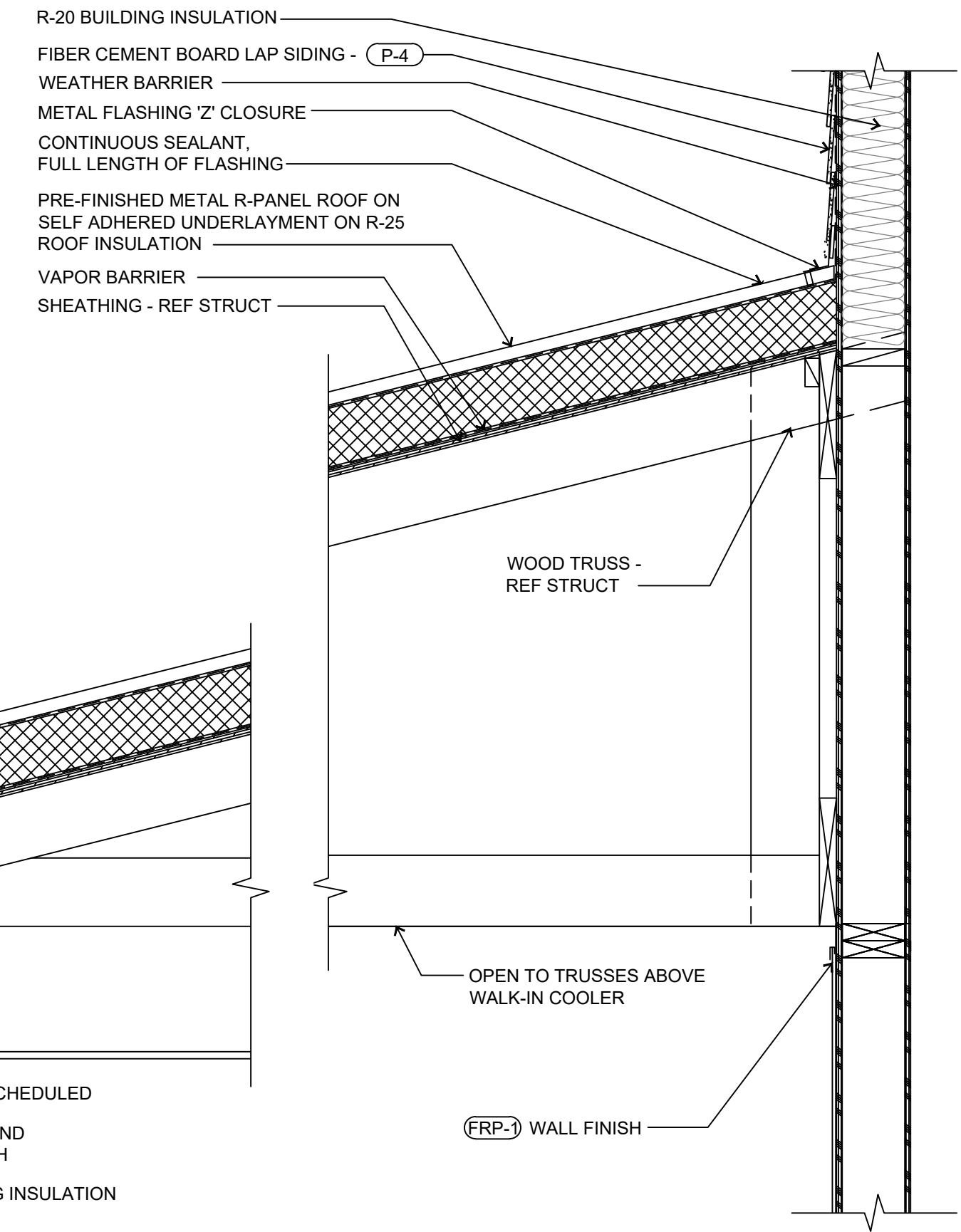
ISSUE DATE: 02/14/2023
PROTO CYCLE: Q2 2022
PROTO SIZE: B1L
CHECKED BY: LJW/DW
DRAWN BY: LW

SHEET NAME

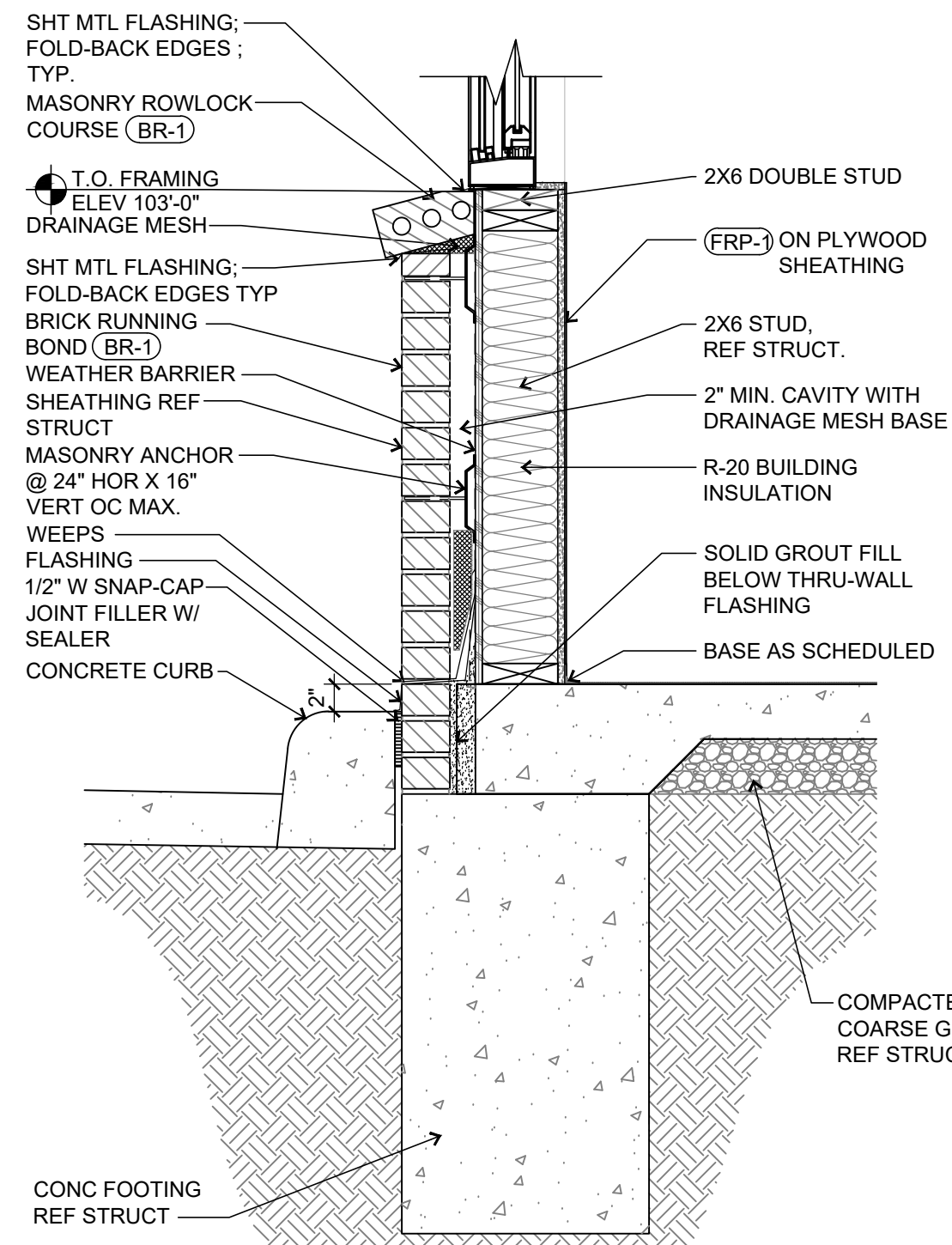
DETAILS -
EXTERIOR

SHEET NUMBER

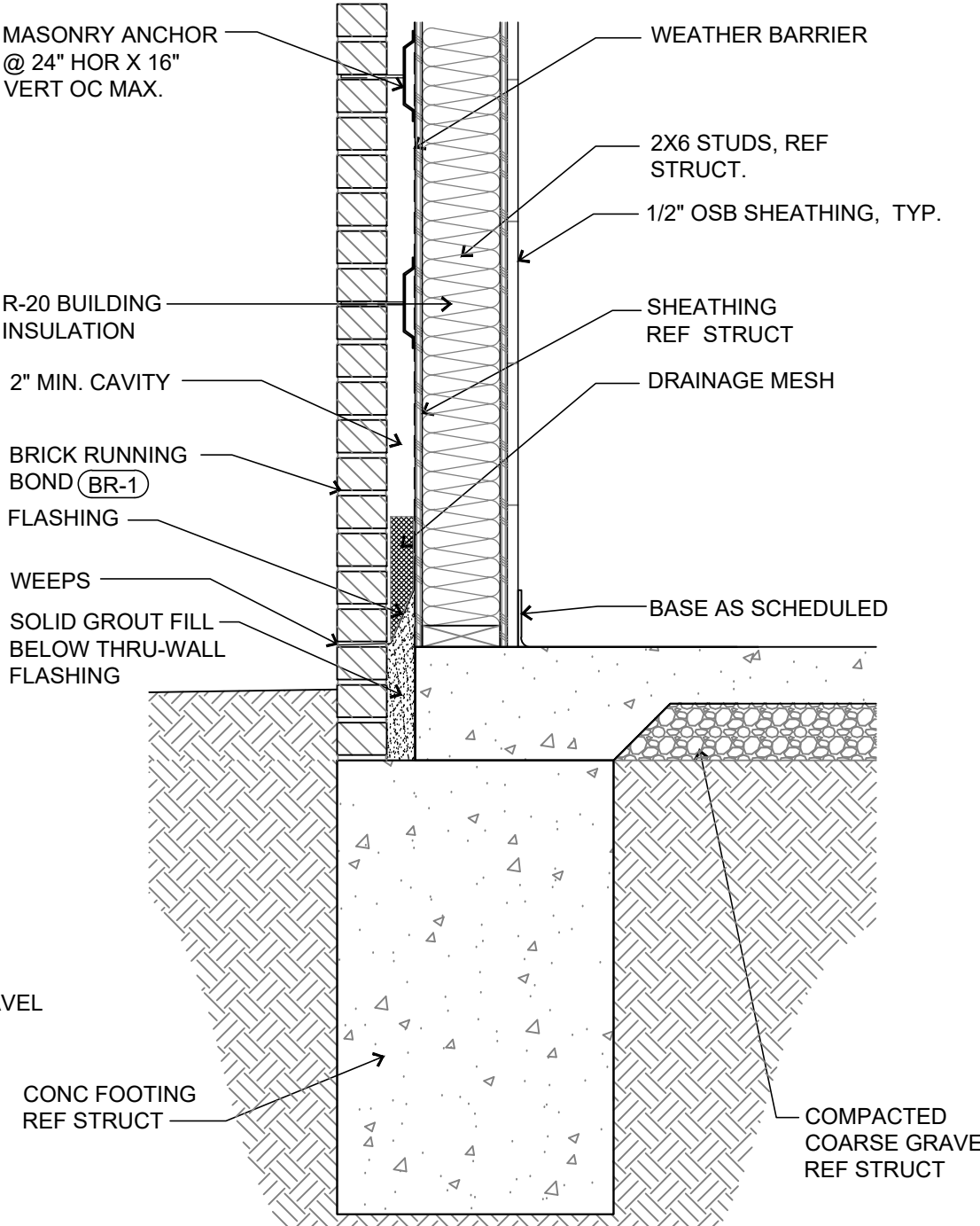
A5.2



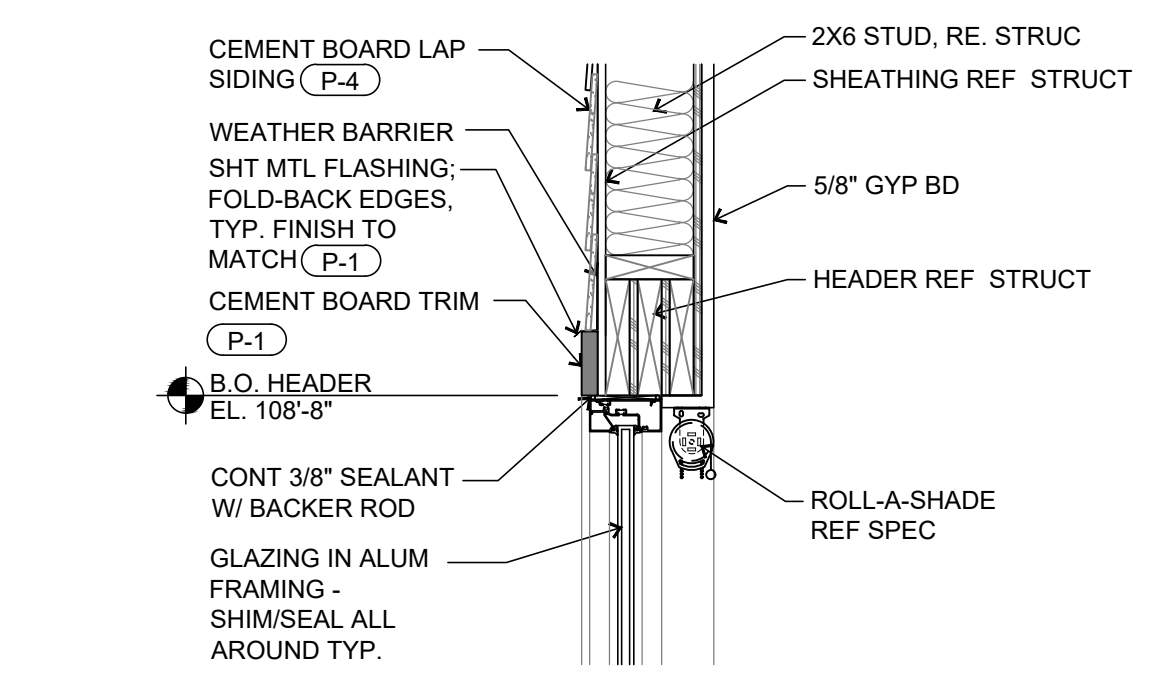
9 STORAGE ENCLOSURE ROOF
SCALE: 1" = 1'-0"



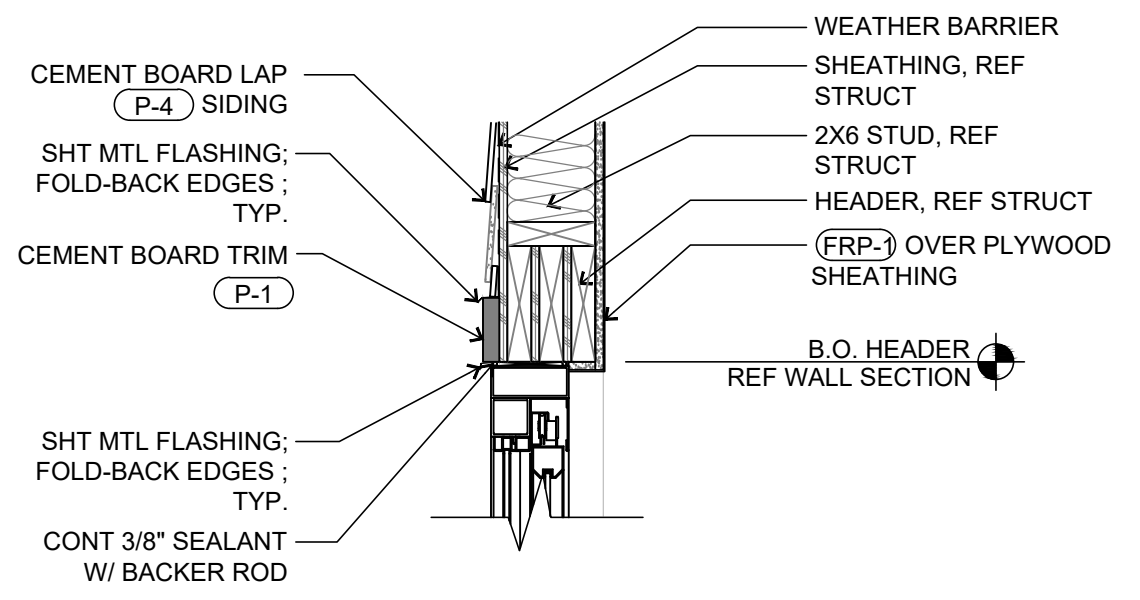
7 WALL DETAIL
SCALE: 1" = 1'-0"



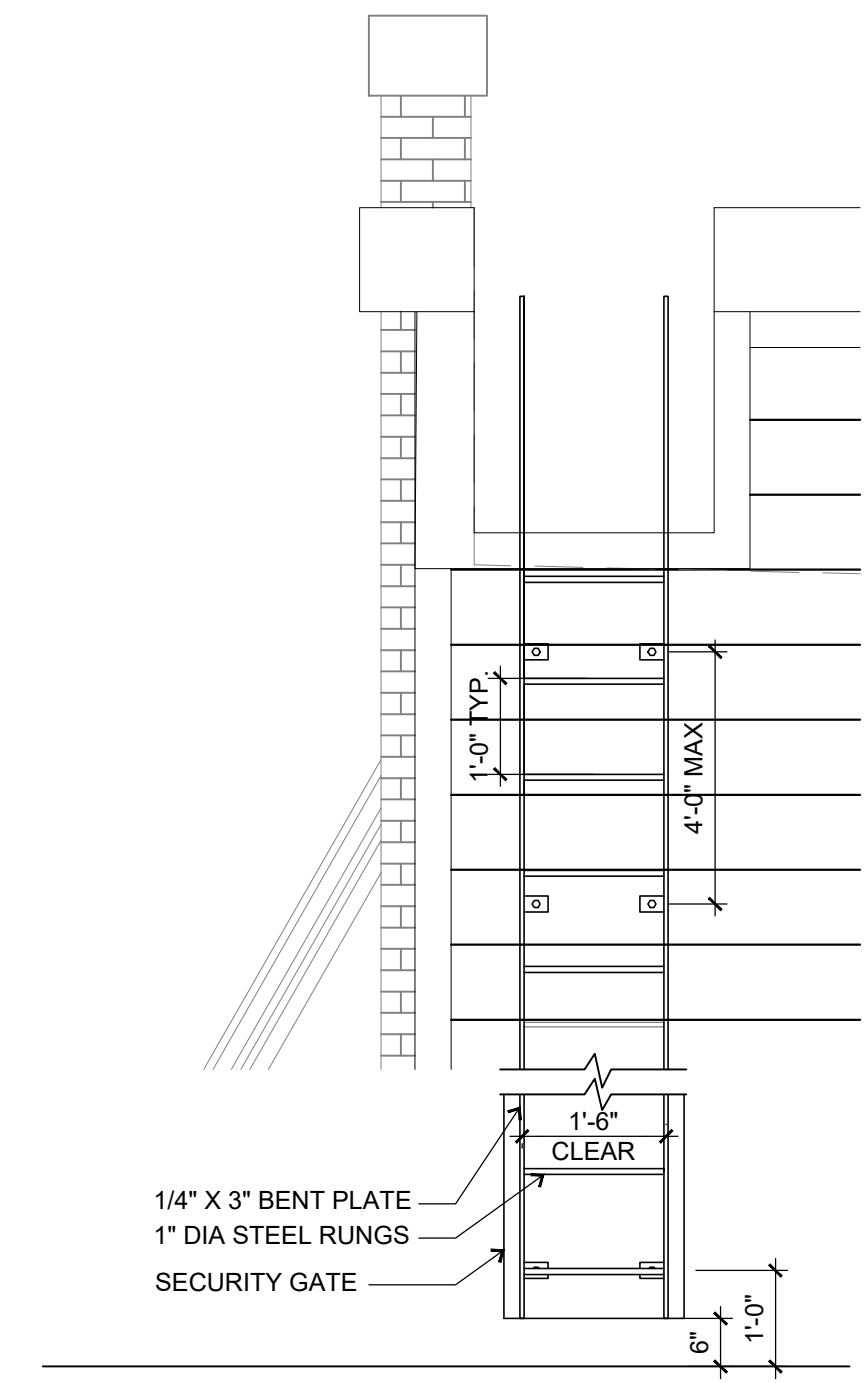
6 WALL DETAIL
SCALE: 1" = 1'-0"



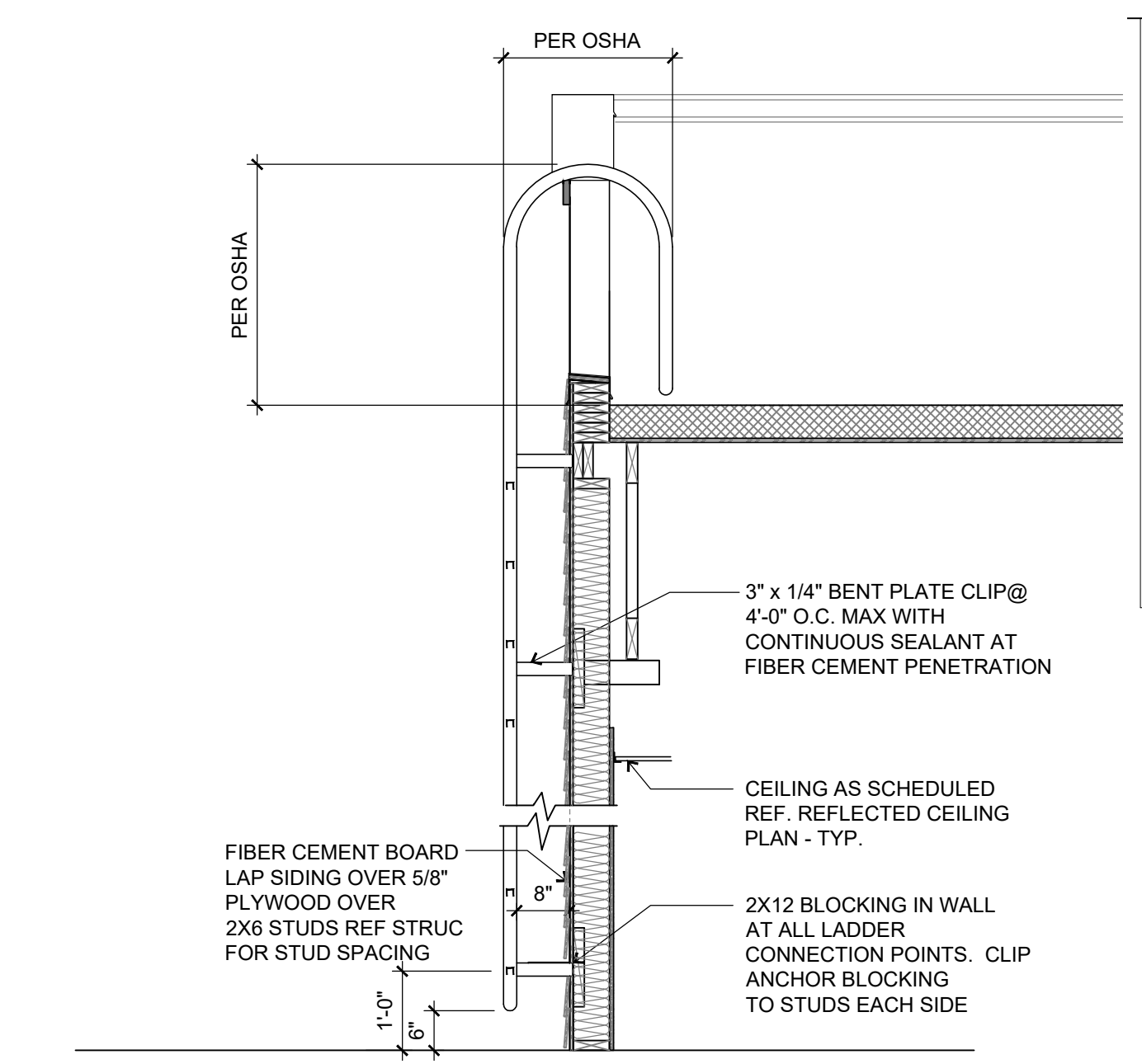
5 DETAIL
SCALE: 1" = 1'-0"



8 DETAIL
SCALE: 1" = 1'-0"



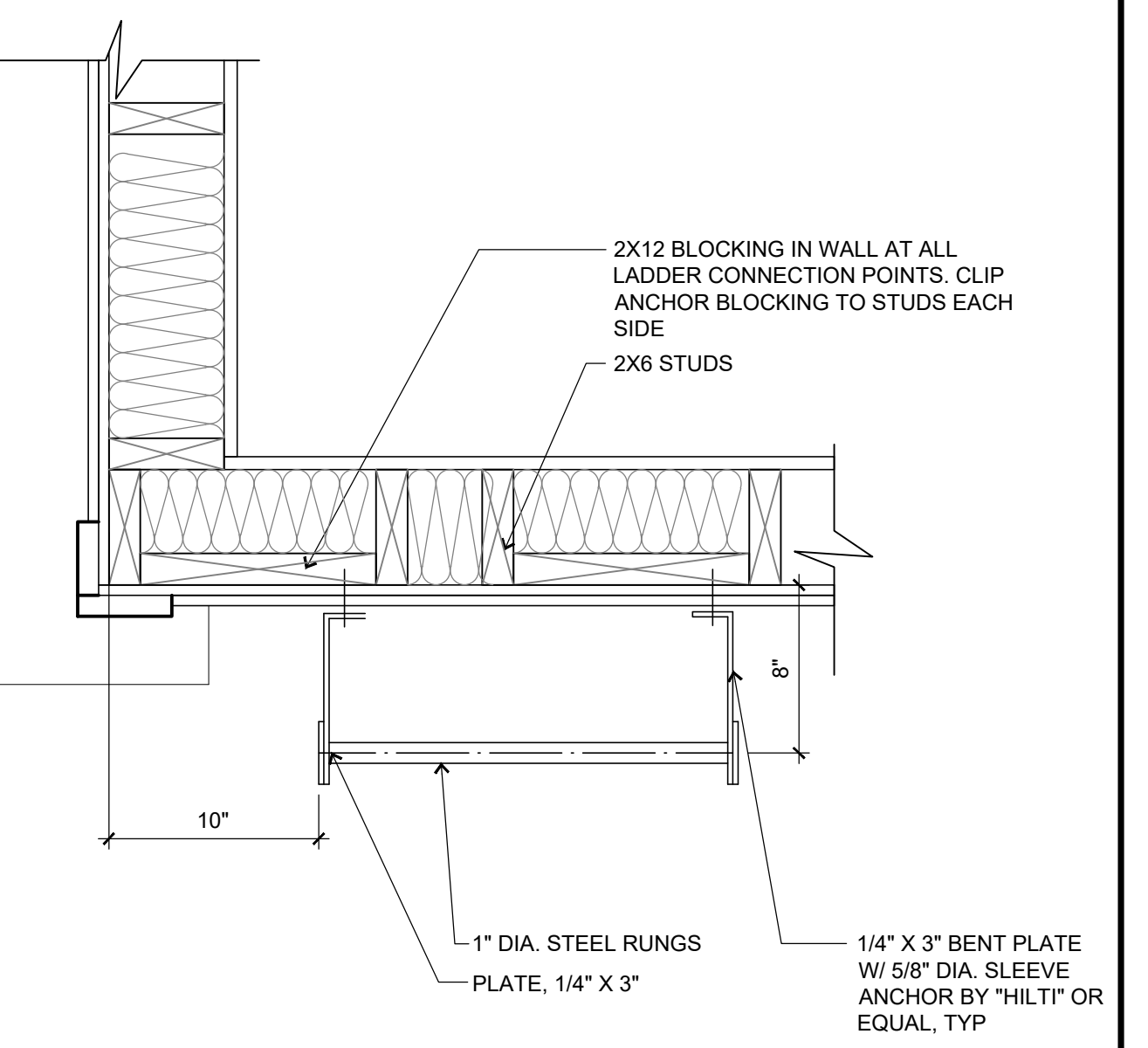
END VIEW



SIDE VIEW

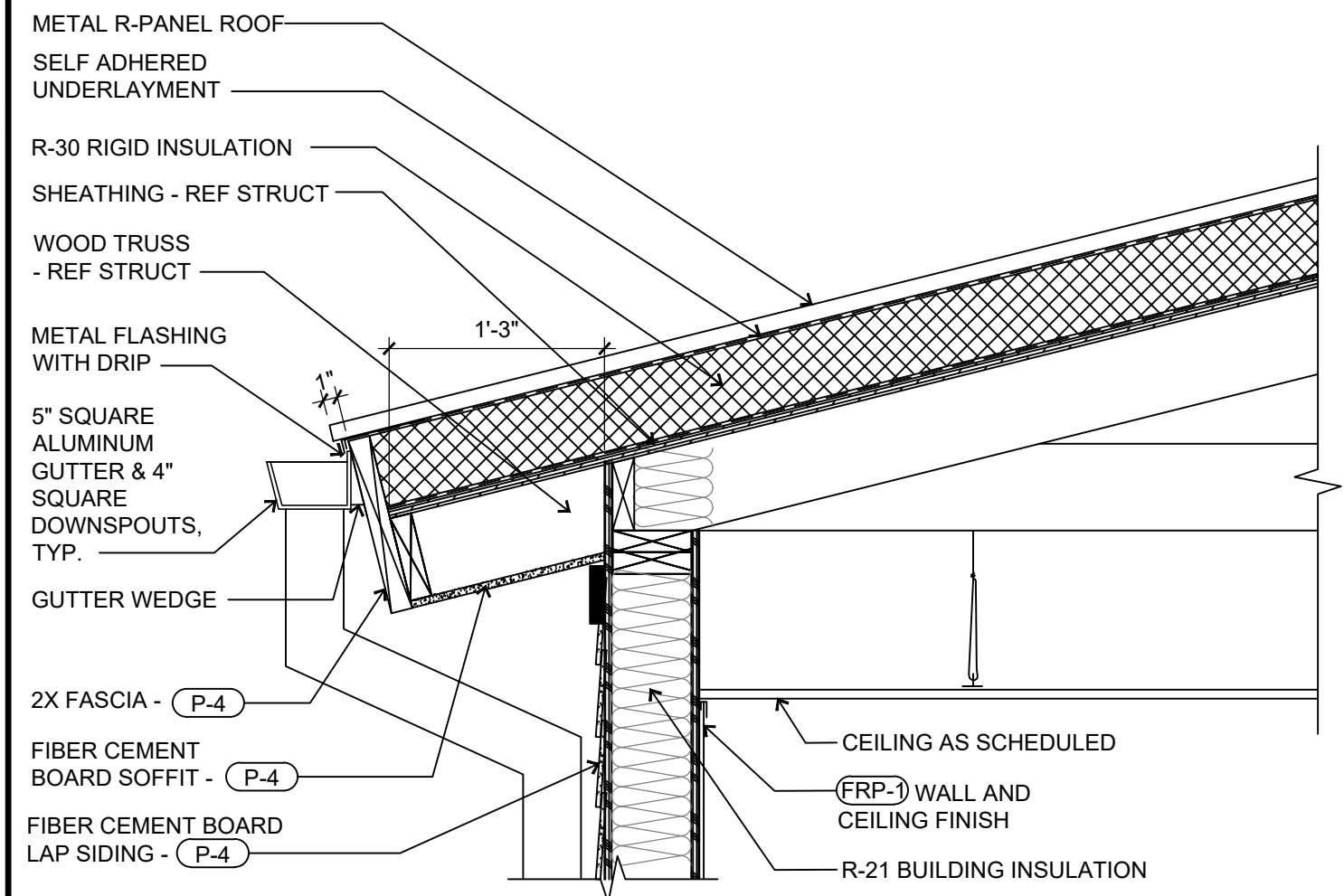
NOTE:
ROOF ACCESS LADDER BY G.C. ACCESS LADDER TO COMPLY WITH OSHA

2 ROOF LADDER DETAIL
SCALE: 1" = 1'-0"

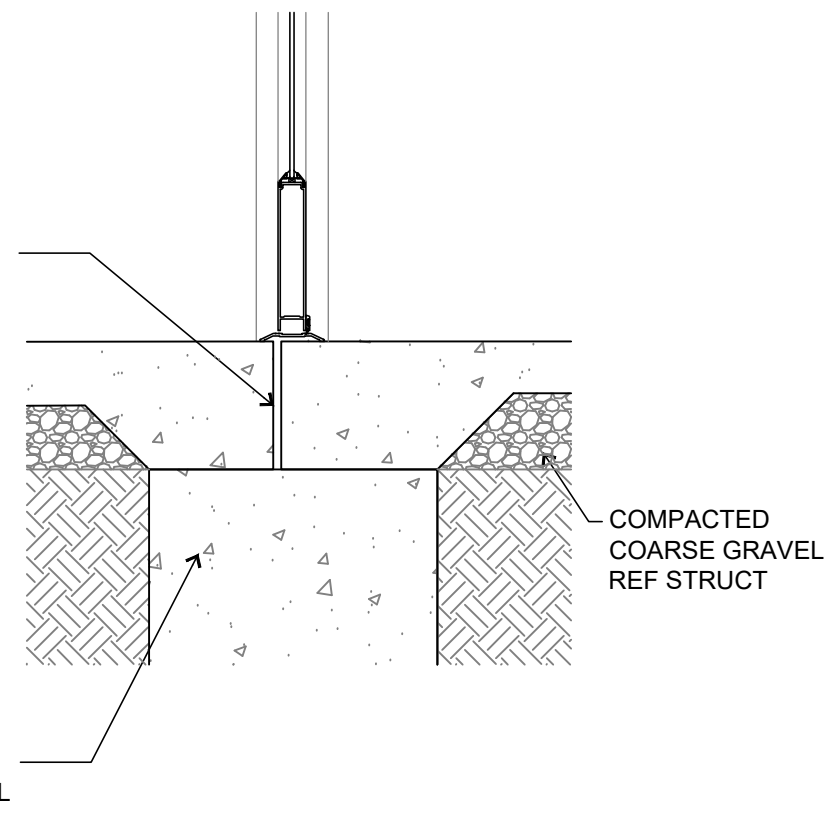


NOTE:
ROOF ACCESS LADDER BY G.C. ACCESS LADDER TO COMPLY WITH OSHA

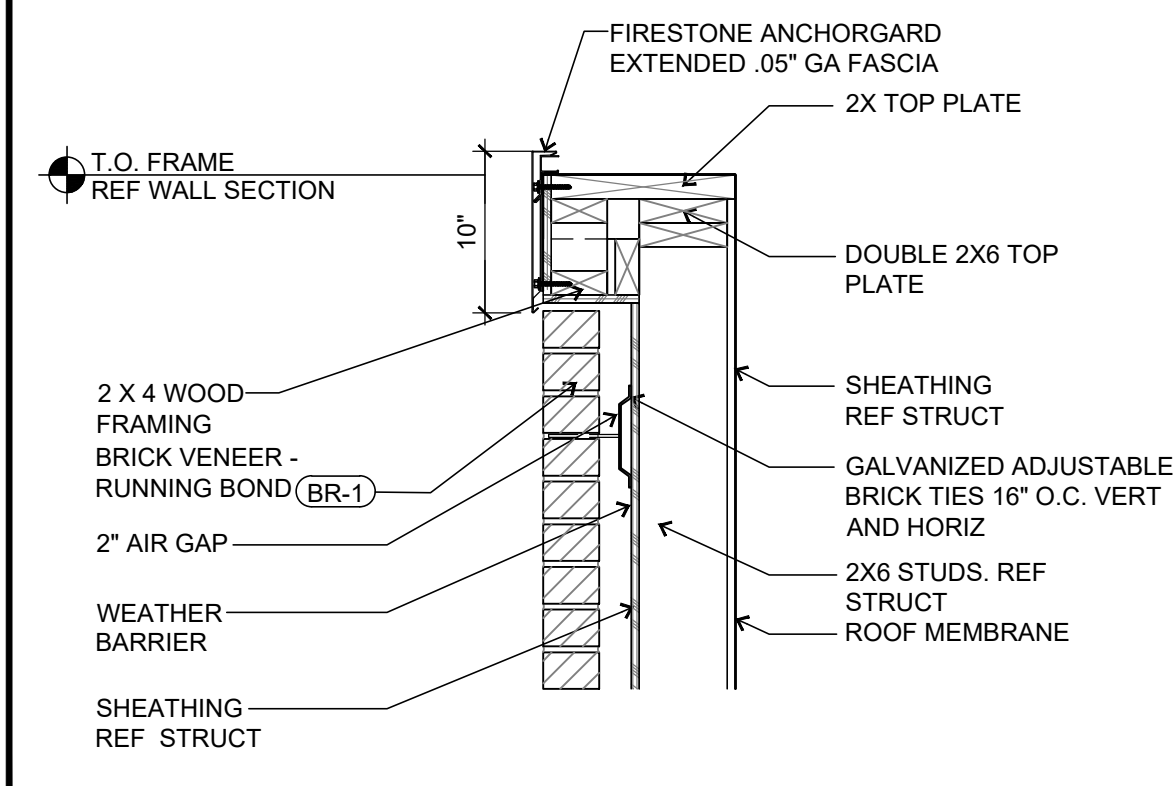
1 ROOF LADDER PLAN DETAIL
SCALE: 1" = 1'-0"



4 PARAPET DETAIL
SCALE: 1" = 1'-0"

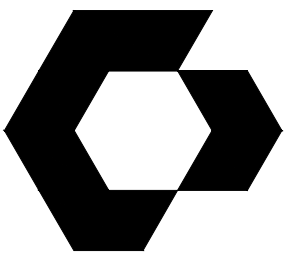


3 DETAIL
SCALE: 1" = 1'-0"



4 PARAPET DETAIL
SCALE: 1" = 1'-0"

V:\Slim Chickens\San Antonio, TX\04-CAD\Sheet\A5-2\DETAILS - EXTERIOR.dwg
Printed: 2/15/2023 11:49:03 AM



CYNTERGY
810 S CINCINNATI AVE, STE 200
TULSA, OK 74119
918.877.6000



DOCUMENTS WITHOUT
SIGNATURE AND REQUIRED SEAL
OF AOR / EOR ARE NOT FOR
CONSTRUCTION.

SLIM CHICKENS
SAN ANTONIO, TX

THIS DRAWING WAS PREPARED SOLELY AND EXCLUSIVELY FOR EXECUTION OF THE PROJECT IDENTIFIED WITHIN THESE DOCUMENTS. CONTEMPORANEOUSLY WITH ITS ISSUE DATE THIS DRAWING MAY NOT BE USED ON OTHER PROJECTS OR FOR ADDITIONS TO THE PROJECT OUTSIDE THE SCOPE OF WORK WITHOUT WRITTEN CONSENT OF THE OWNER, ARCHITECT, AND THE ARCHITECT'S CONSULTANTS. THE ARCHITECT AND THE ARCHITECT'S CONSULTANTS ARE THE AUTHORS AND OWNERS OF THEIR RESPECTIVE DRAWINGS AND SPECIFICATIONS, AND RETAIN ALL COMMON LAW, STATUTORY, AND OTHER RIGHTS, INCLUDING COPYRIGHTS.

ISSUES / REVISIONS

NO.	DESCRIPTION	DATE

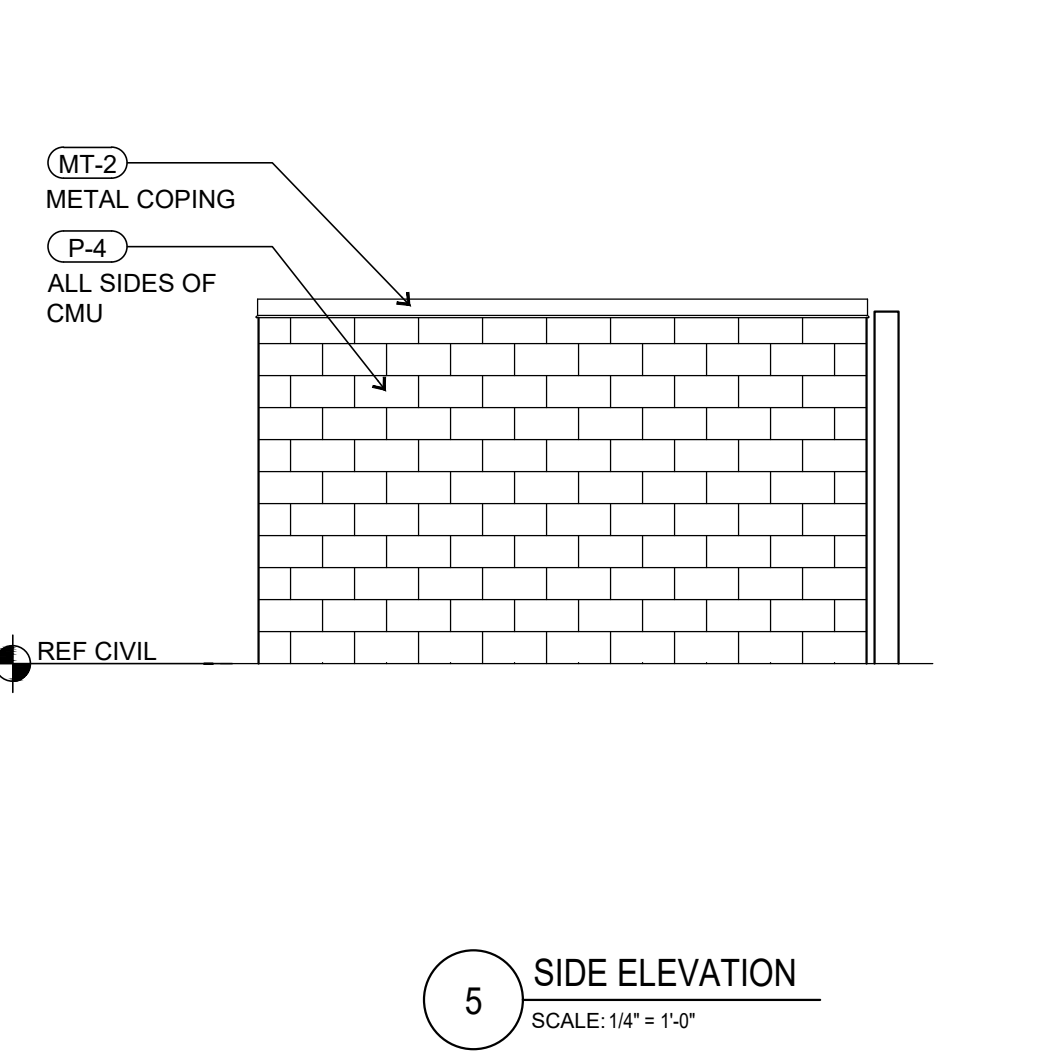
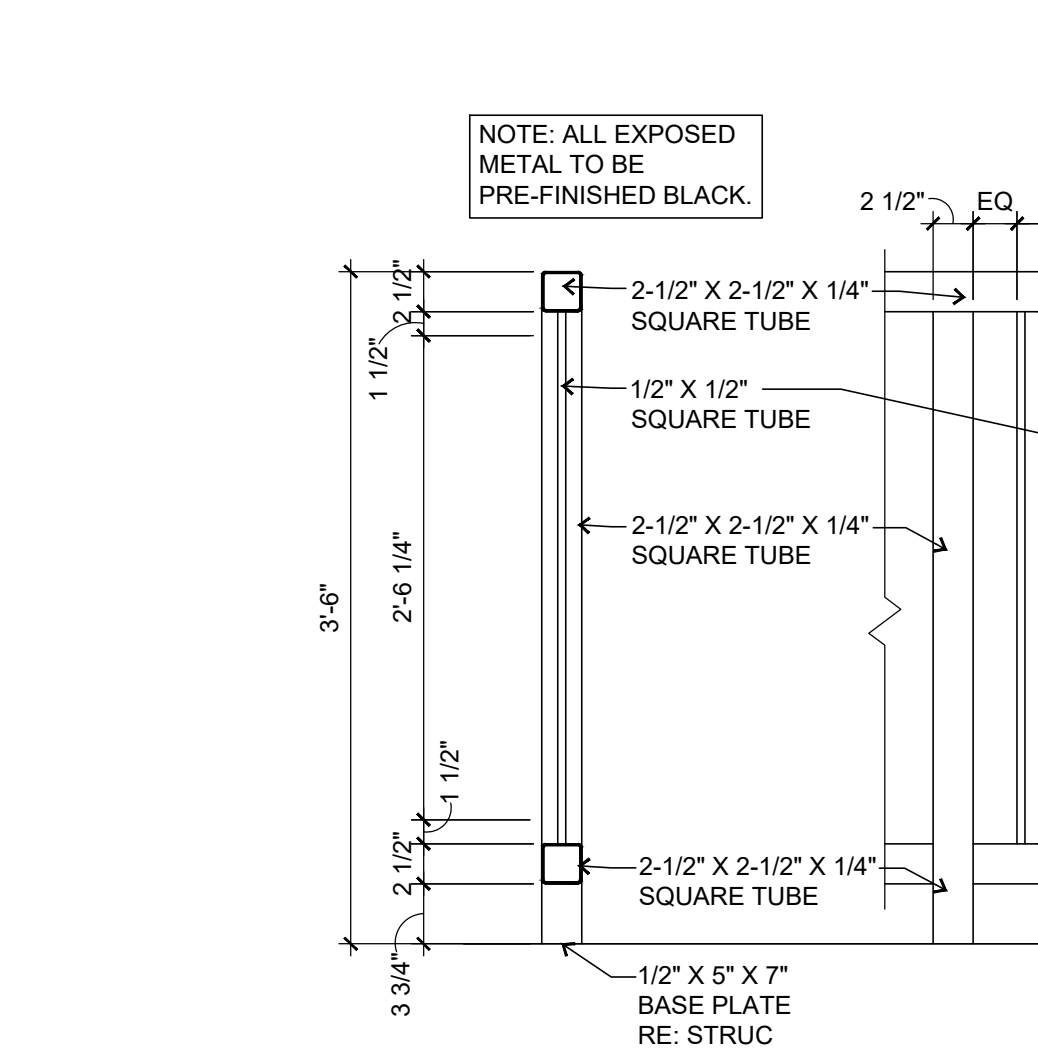
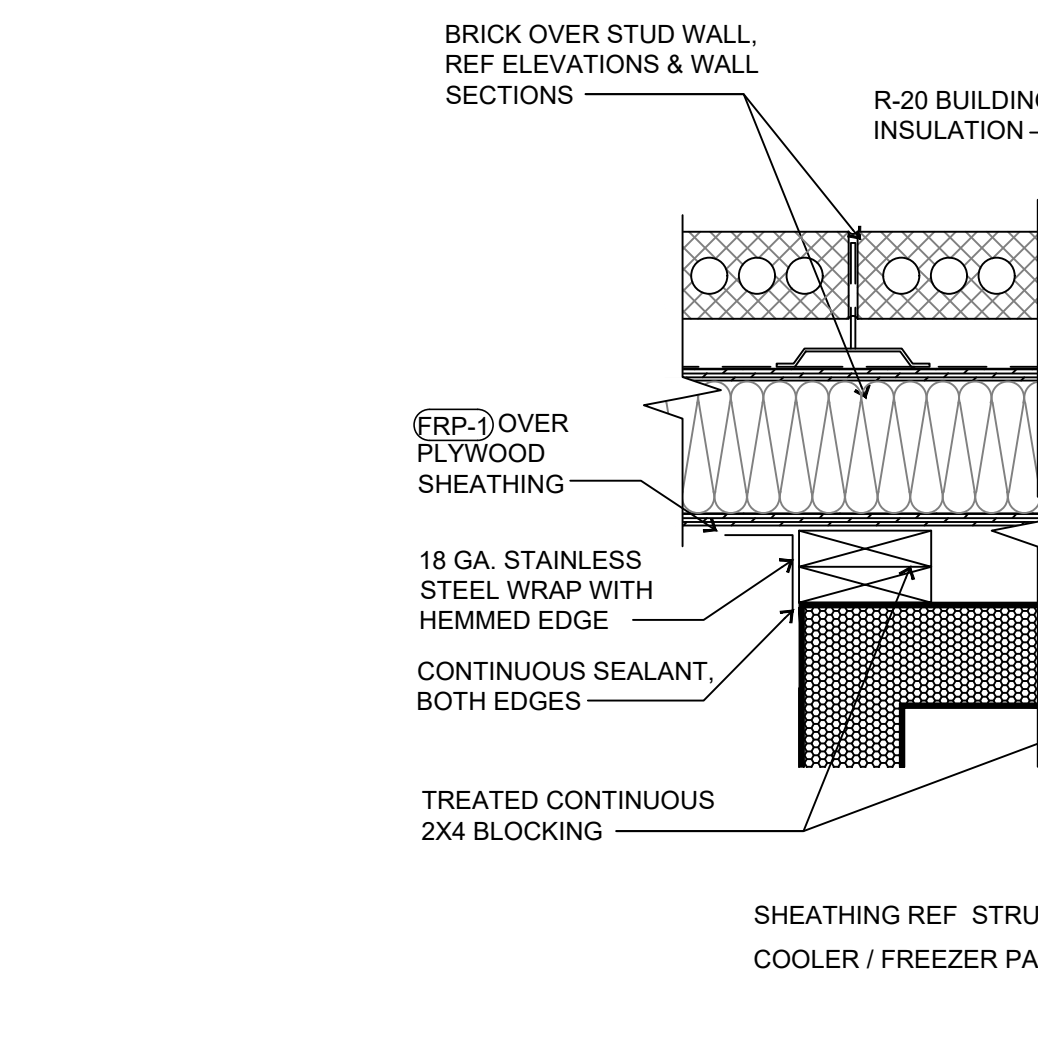
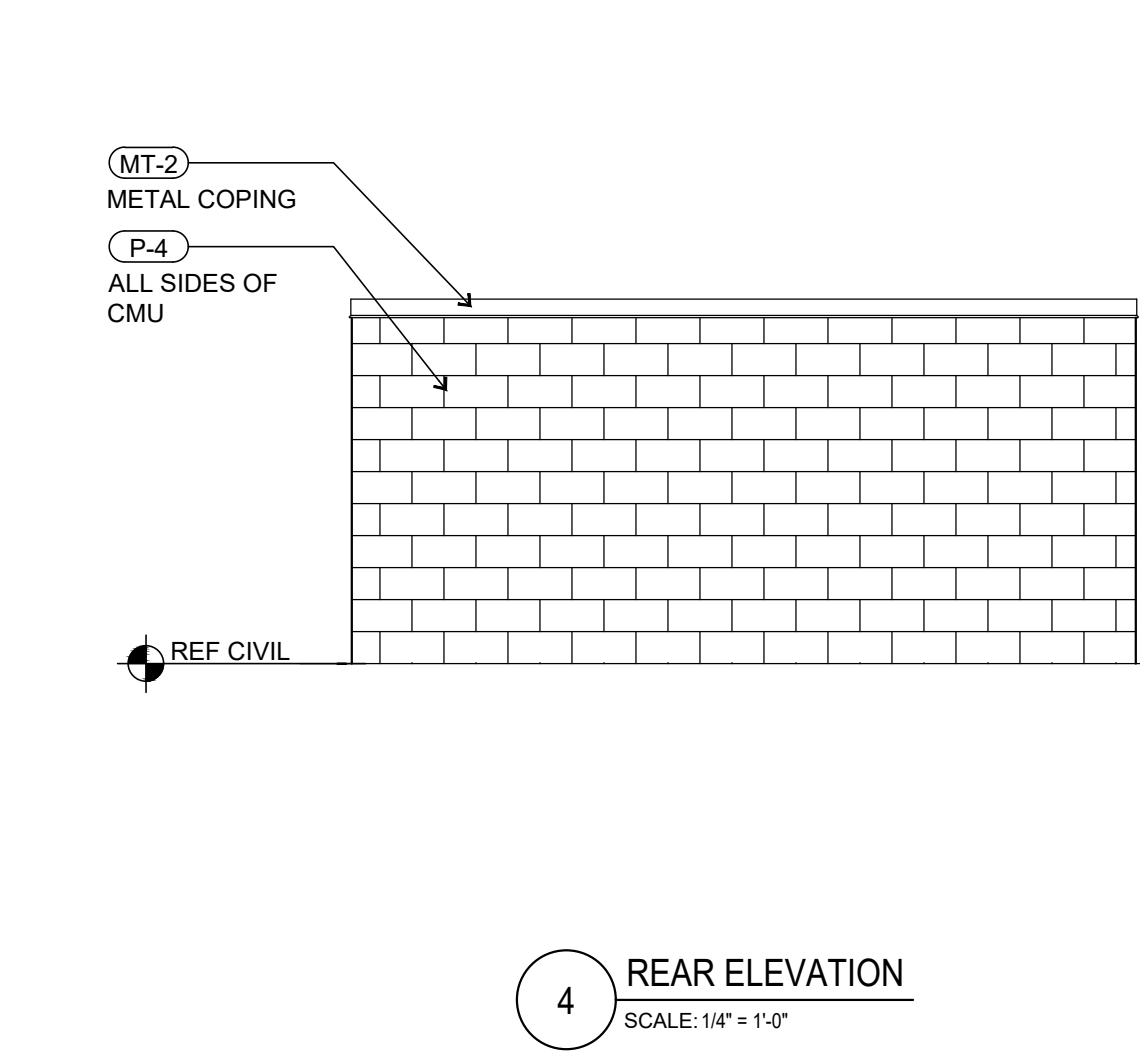
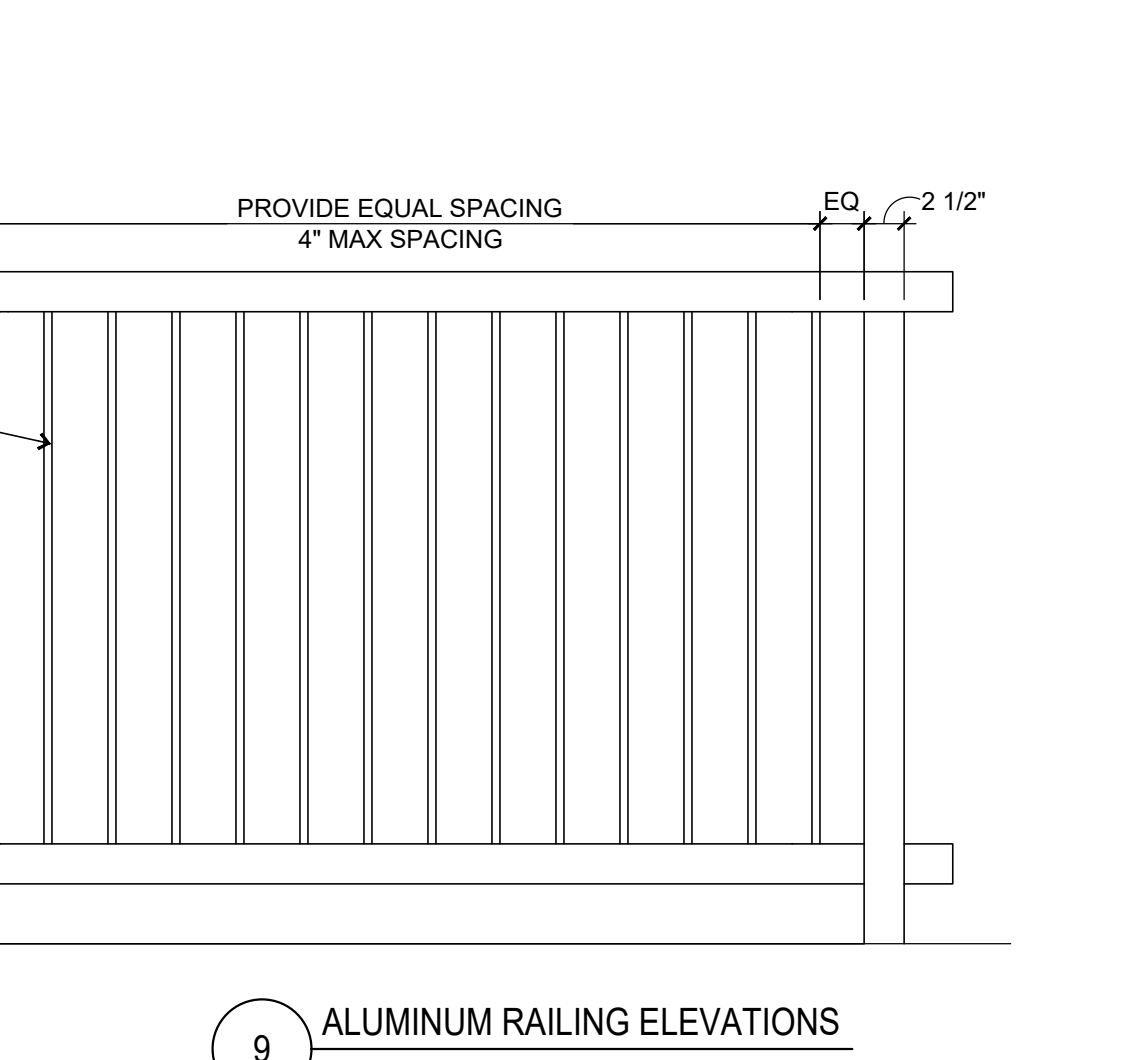
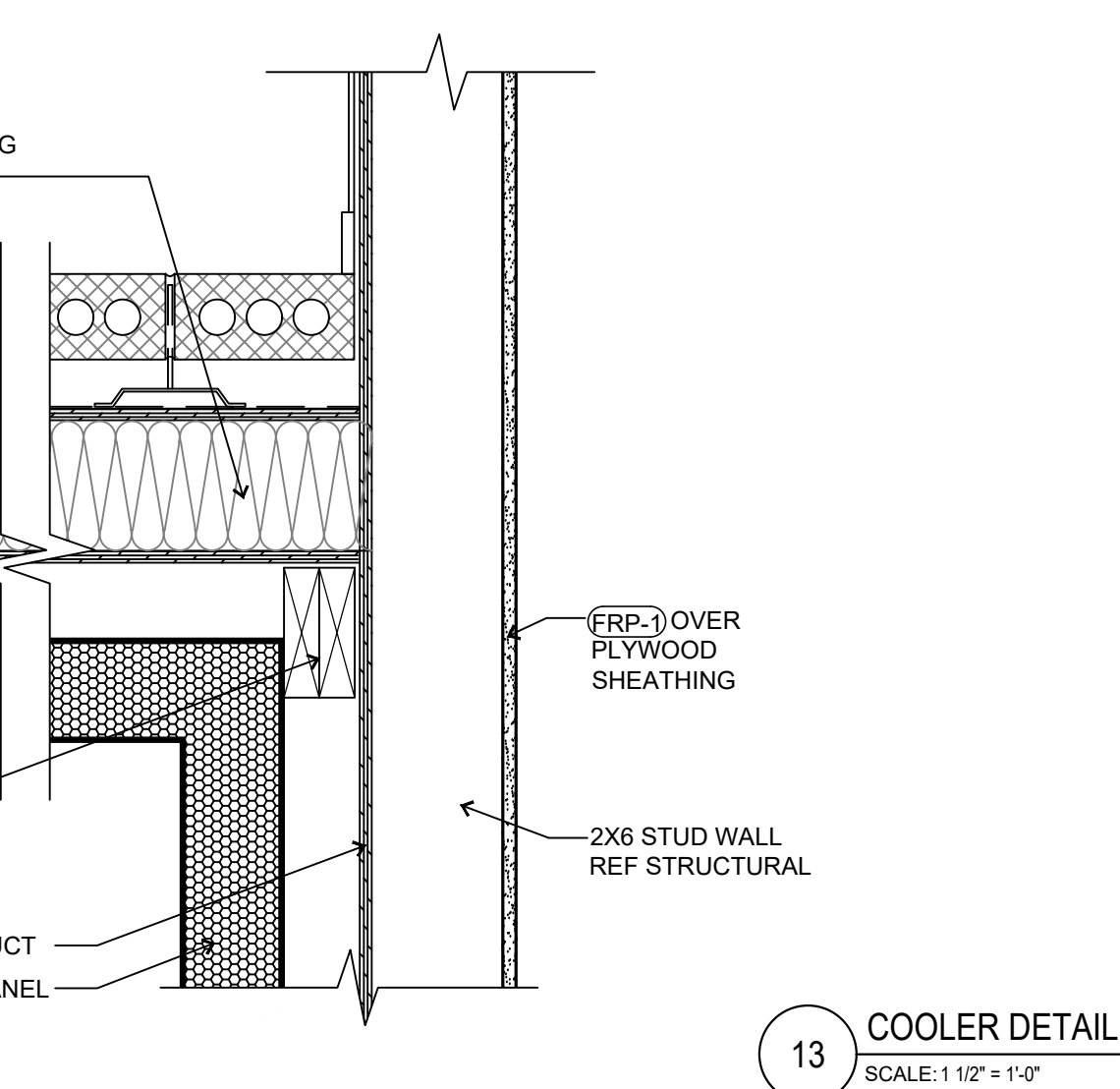
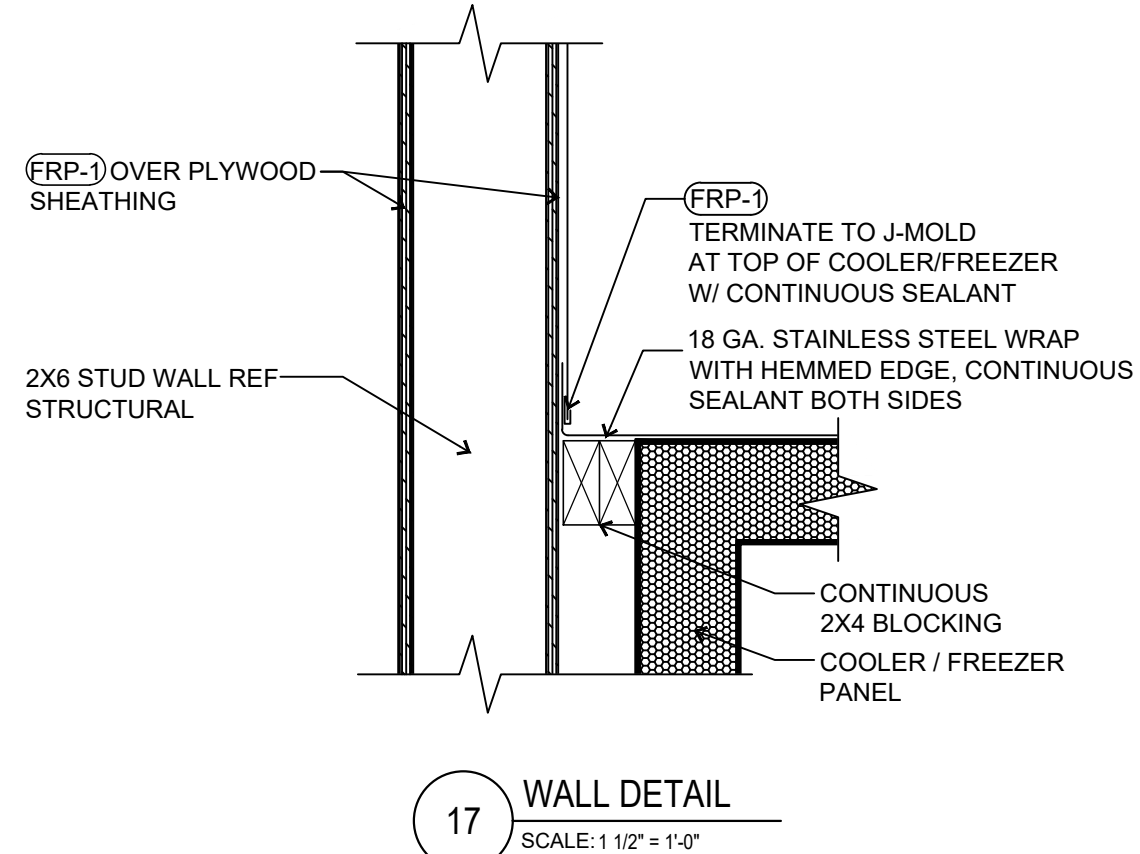
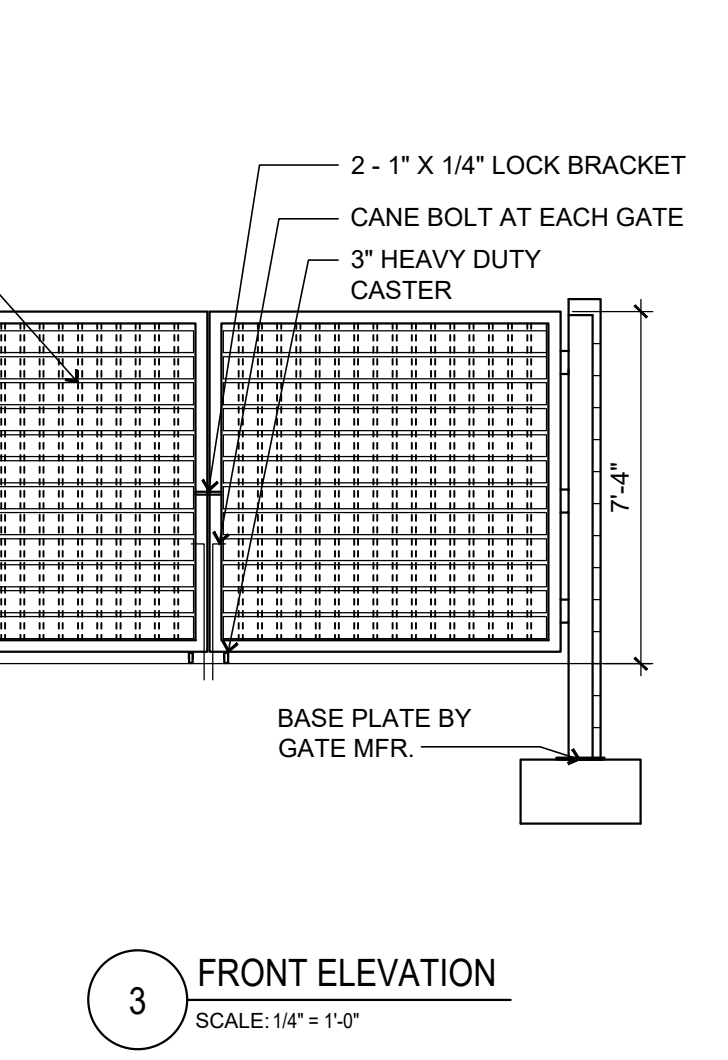
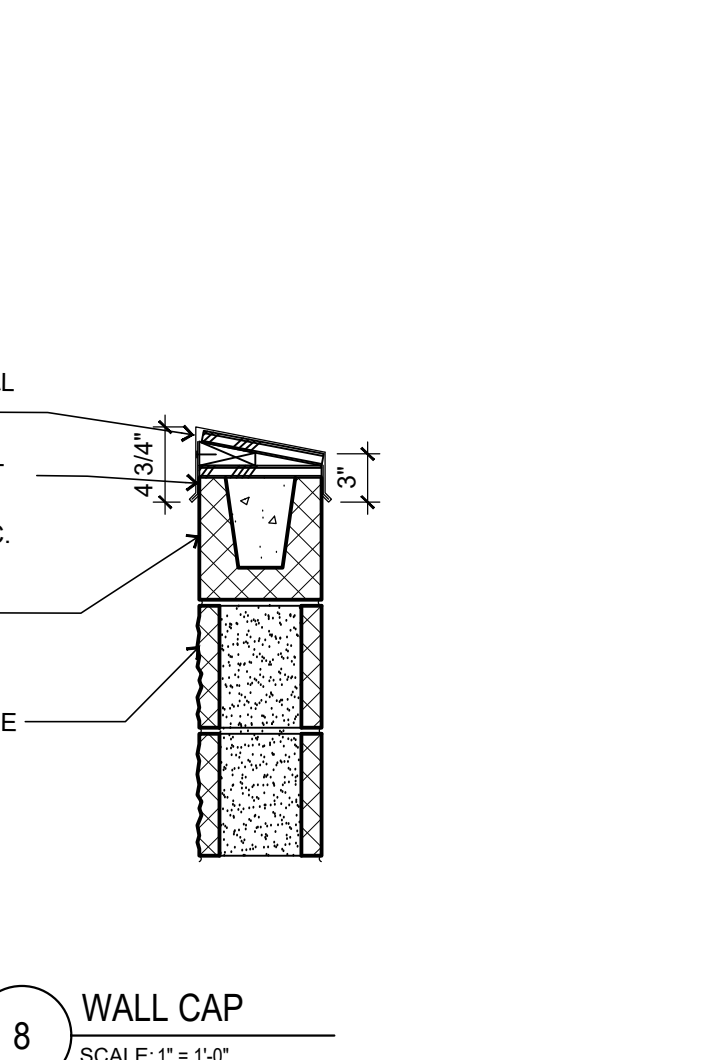
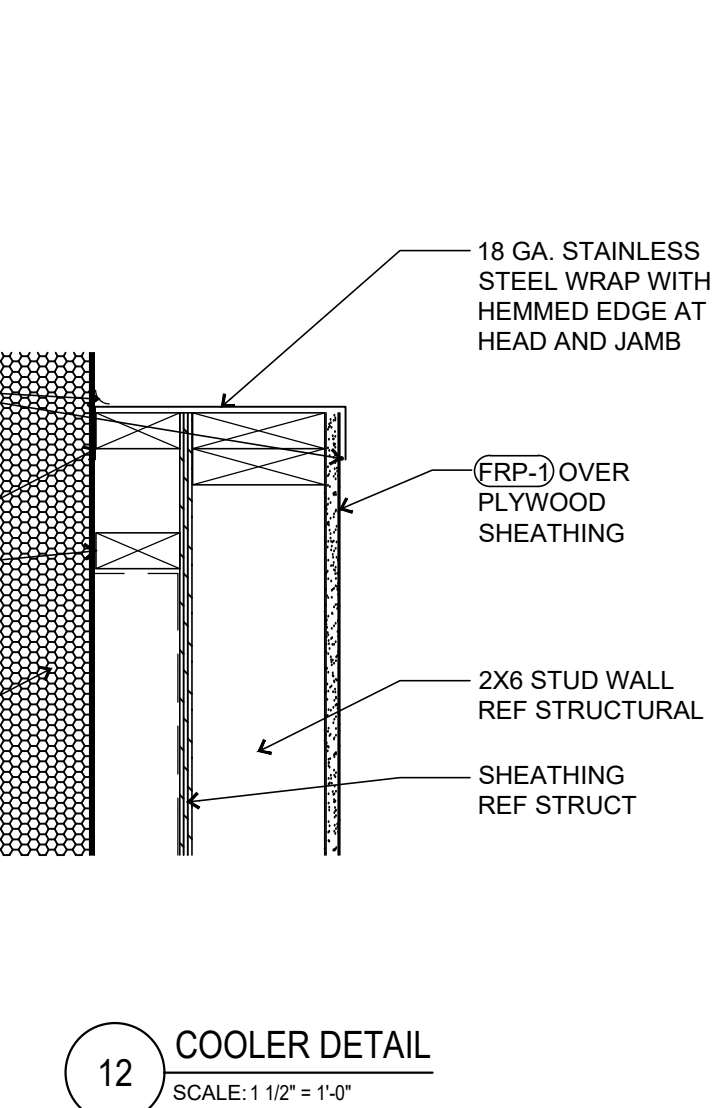
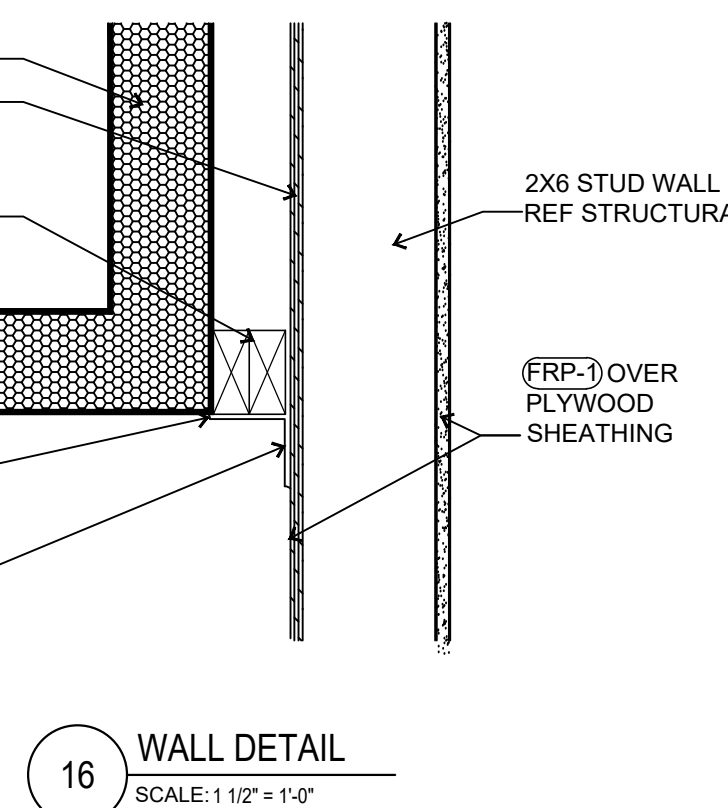
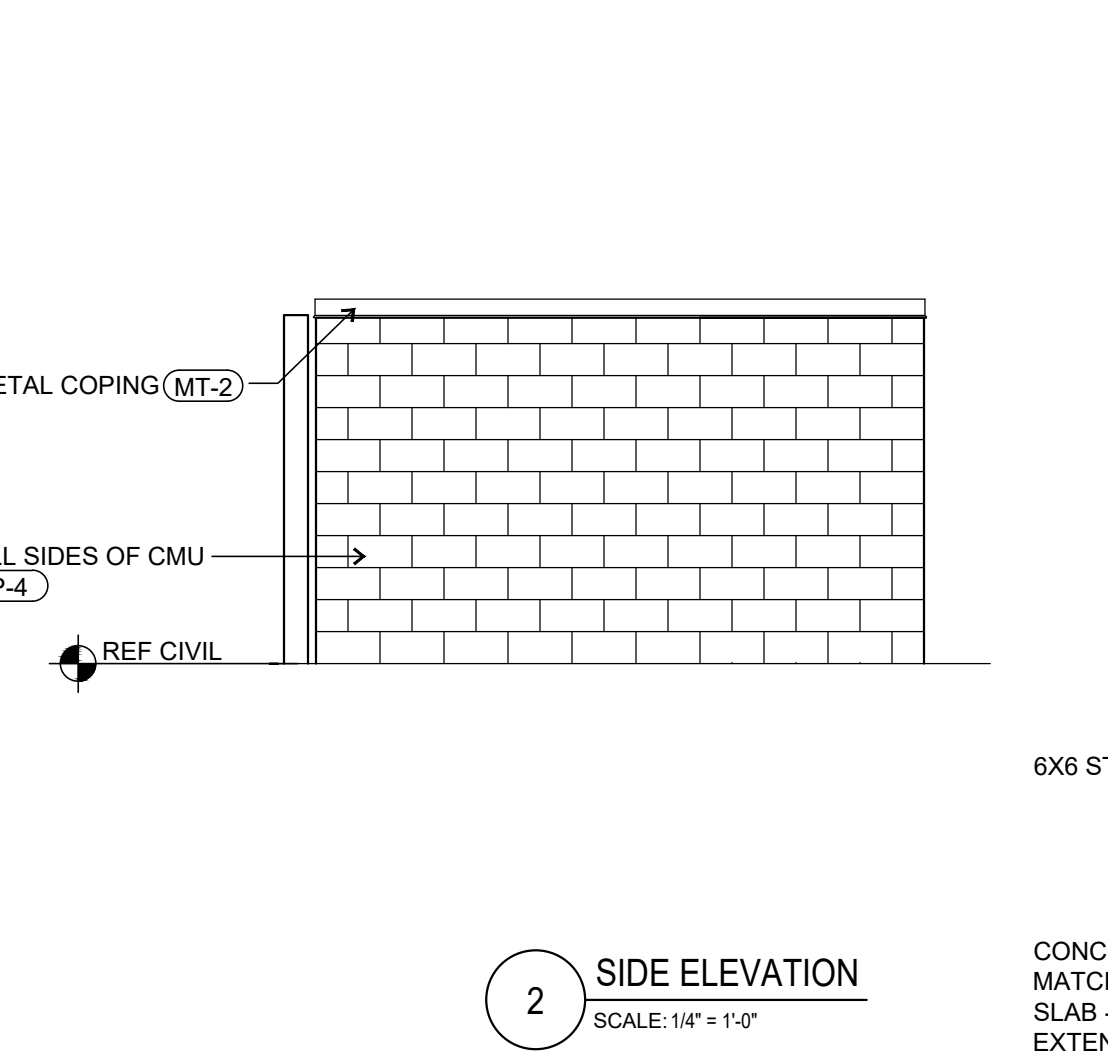
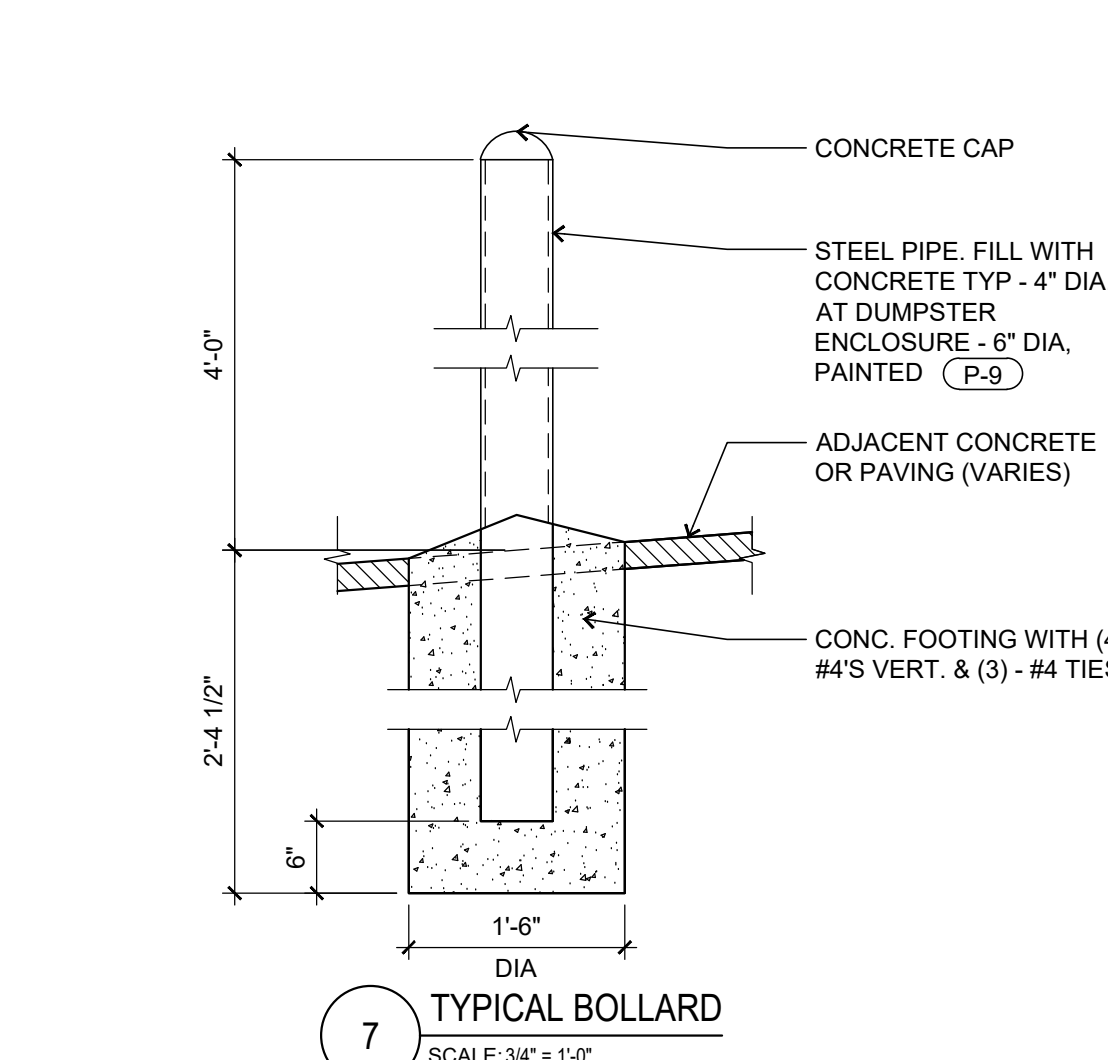
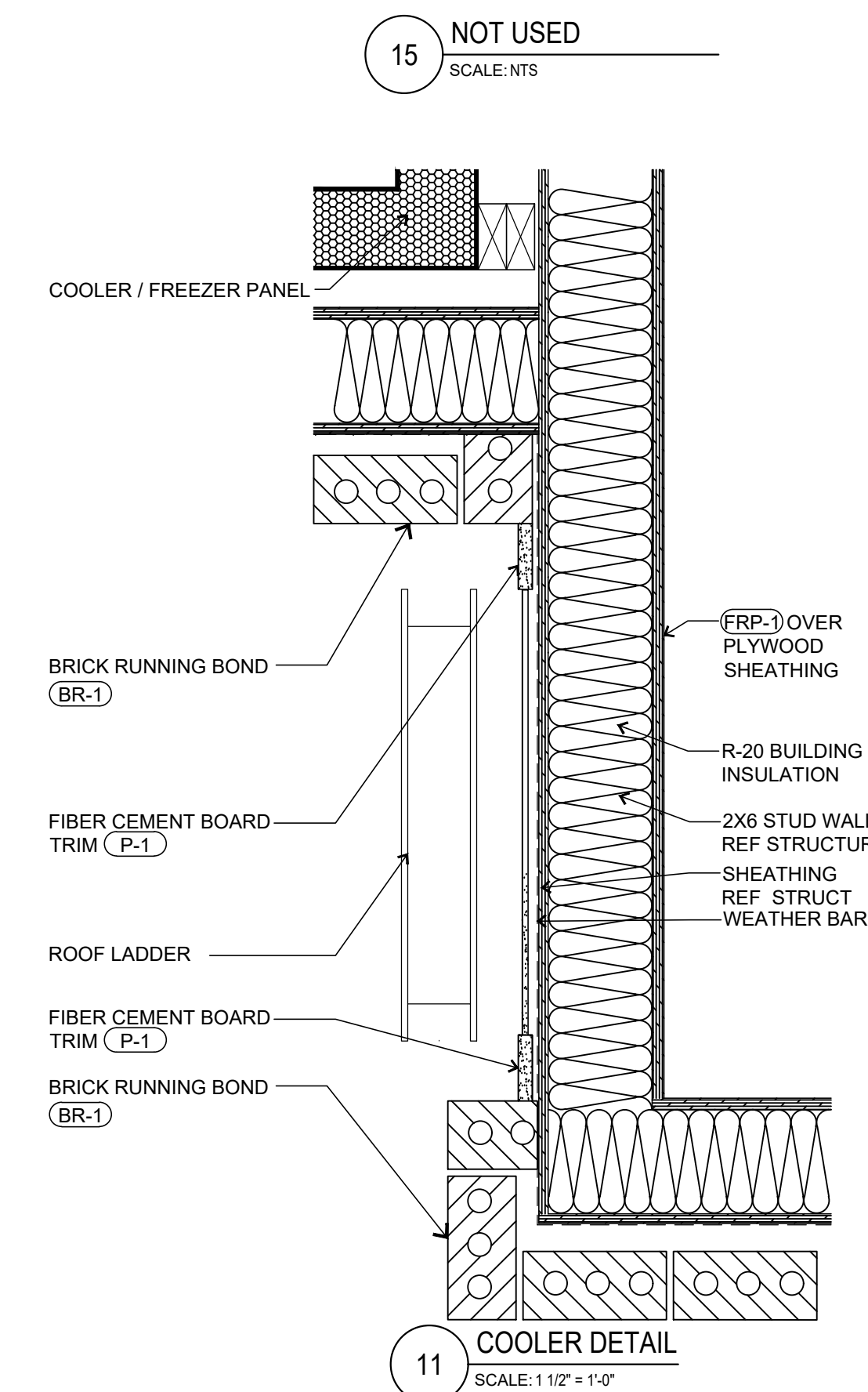
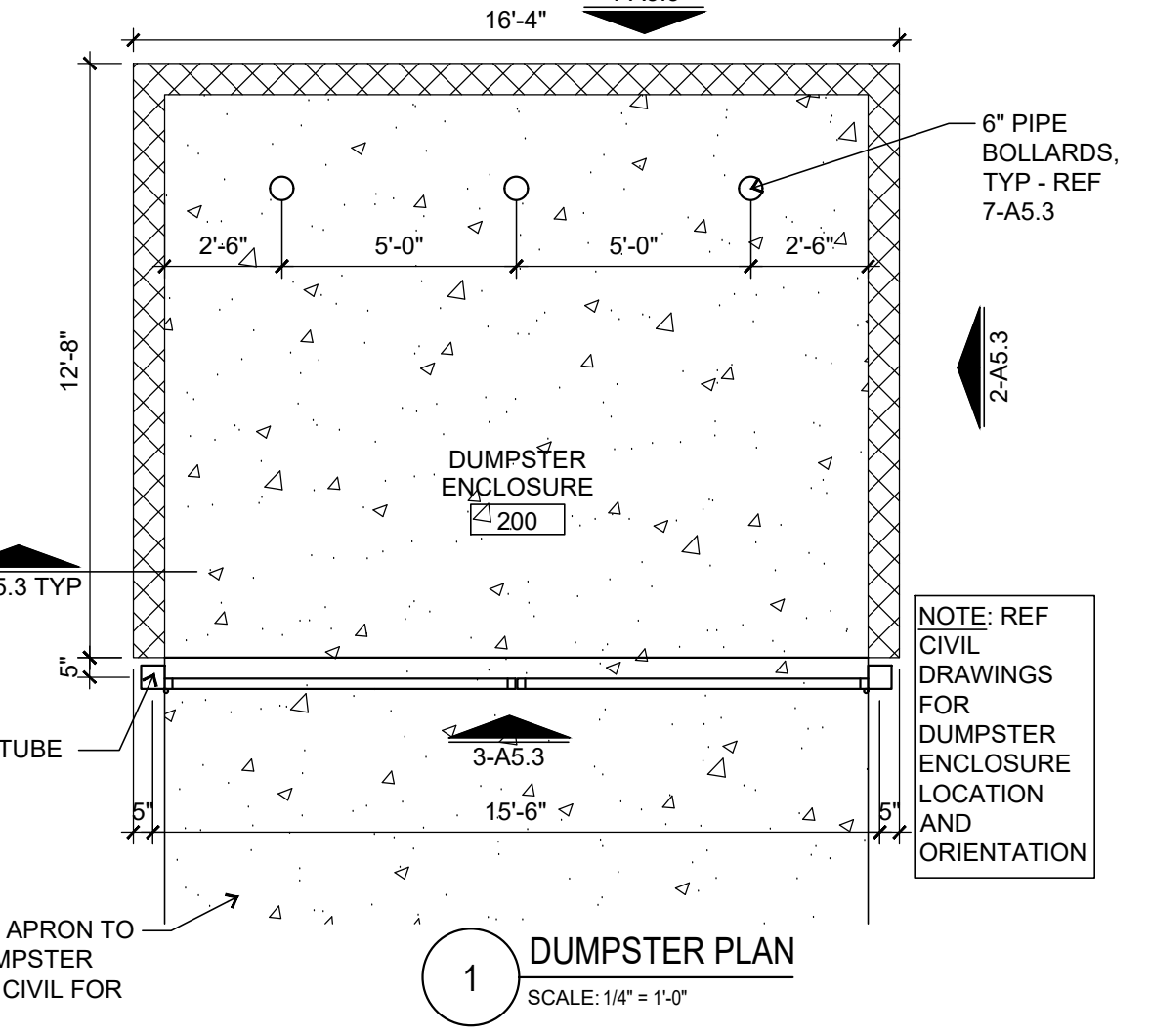
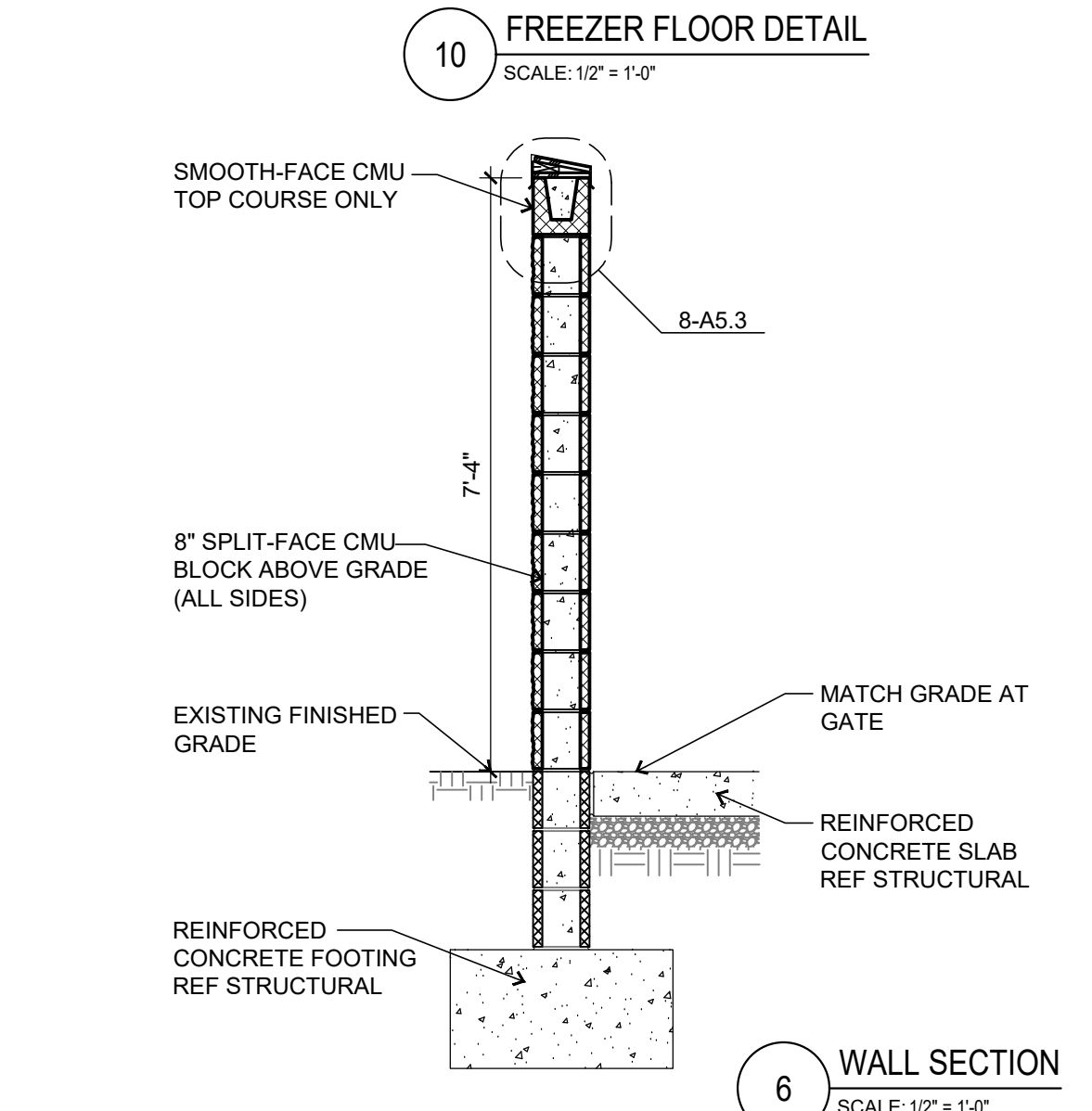
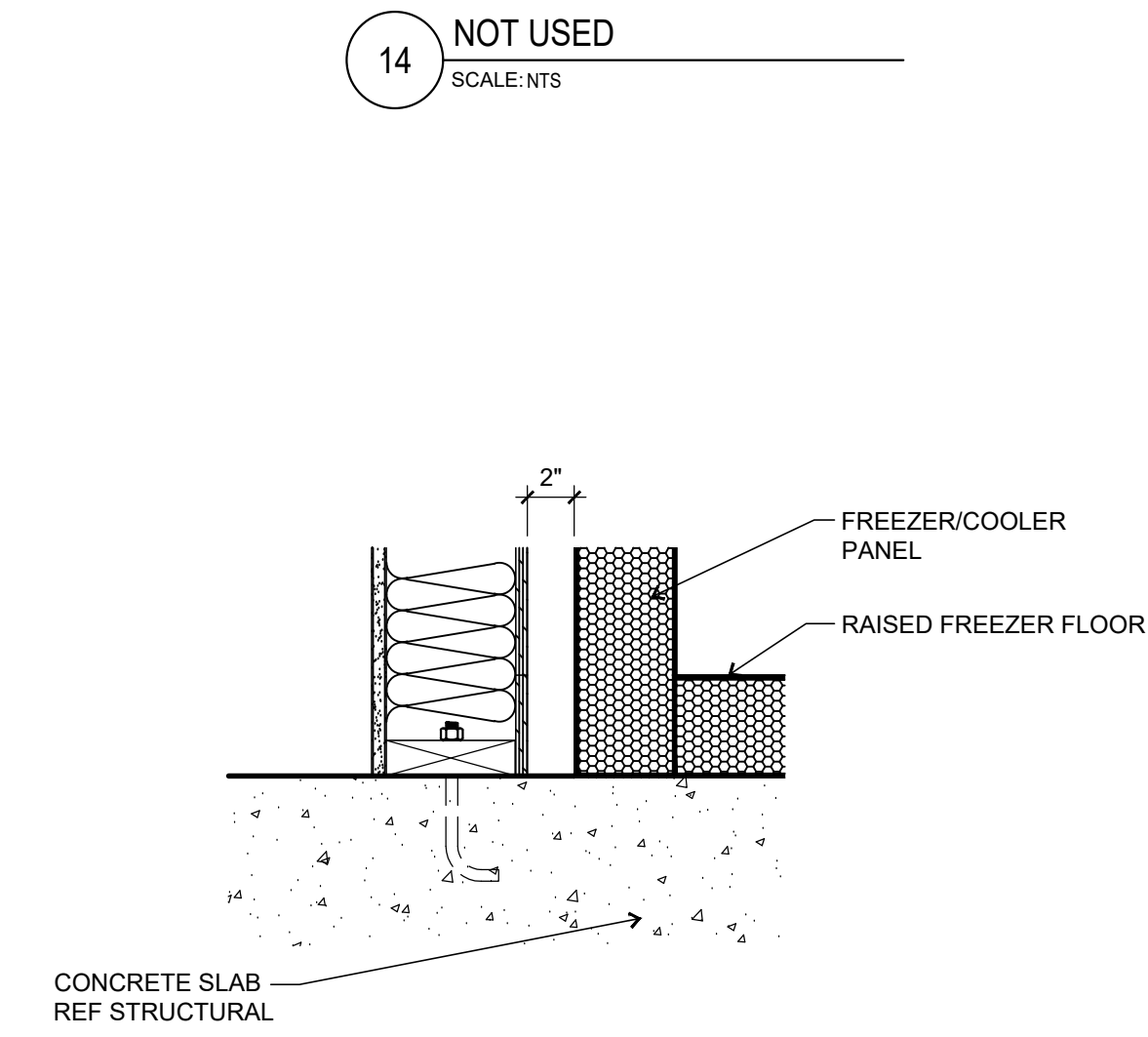
ISSUE DATE: 02/14/2023
PROTO CYCLE: Q2 2022
PROTO SIZE: B1L
CHECKED BY: LJW/DW
DRAWN BY: LW

SHEET NAME

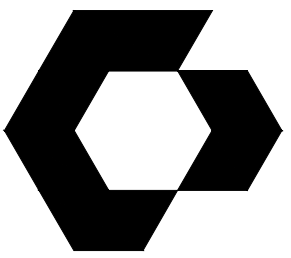
DETAILS - EXTERIOR

SHEET NUMBER

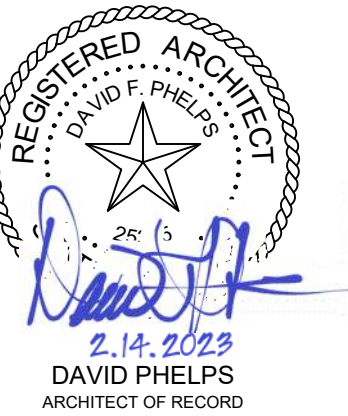
A5.3



Pinned: 2/16/2023 4:28:31 PM
 V:\Slim Chickens\San Antonio, TX\04-CAD\Sheet\A5-3-DETAILS - EXTERIOR.dwg



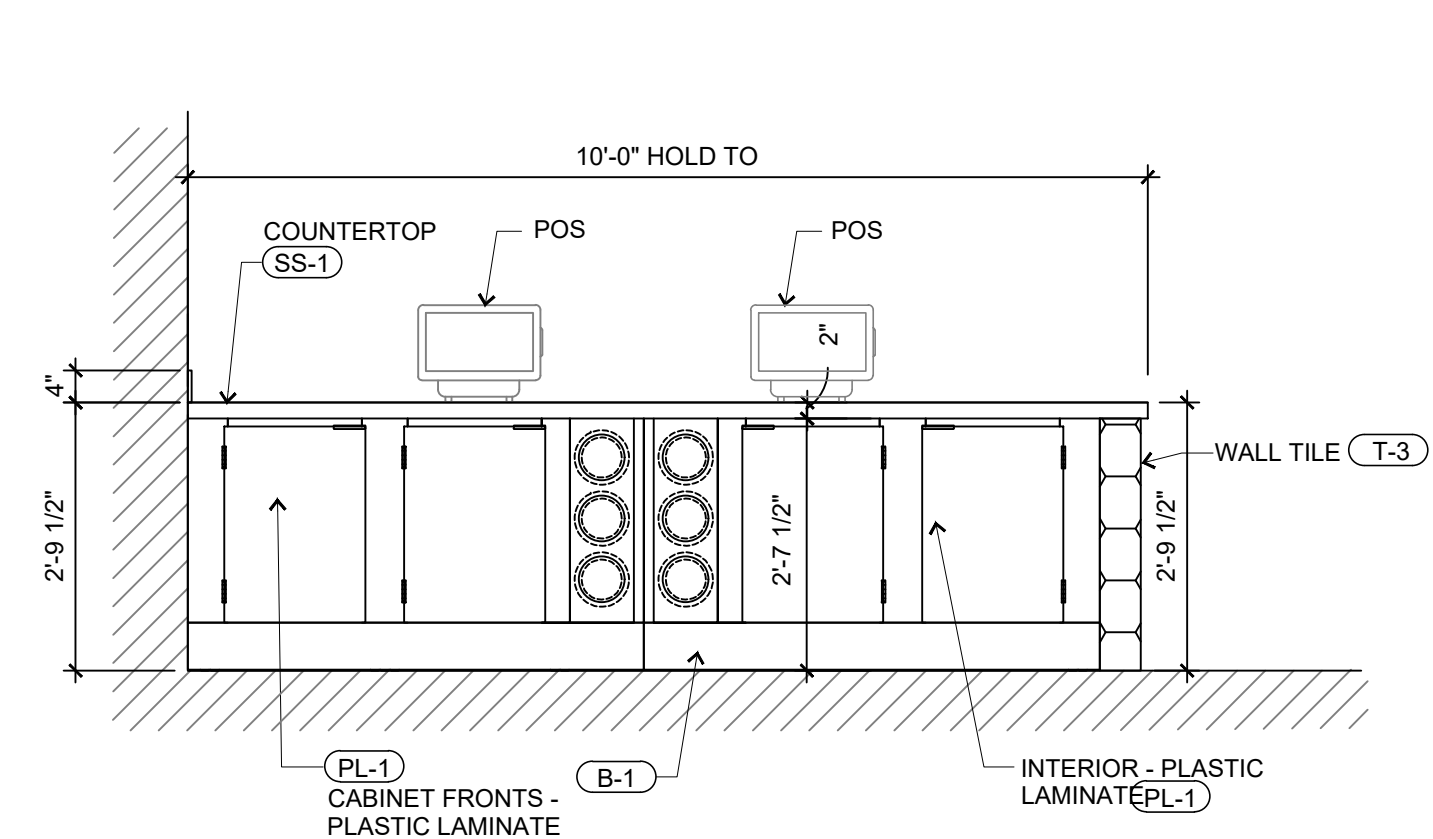
CYNTERGY
810 S CINCINNATI AVE, STE 200
TULSA, OK 74119
918.877.6000



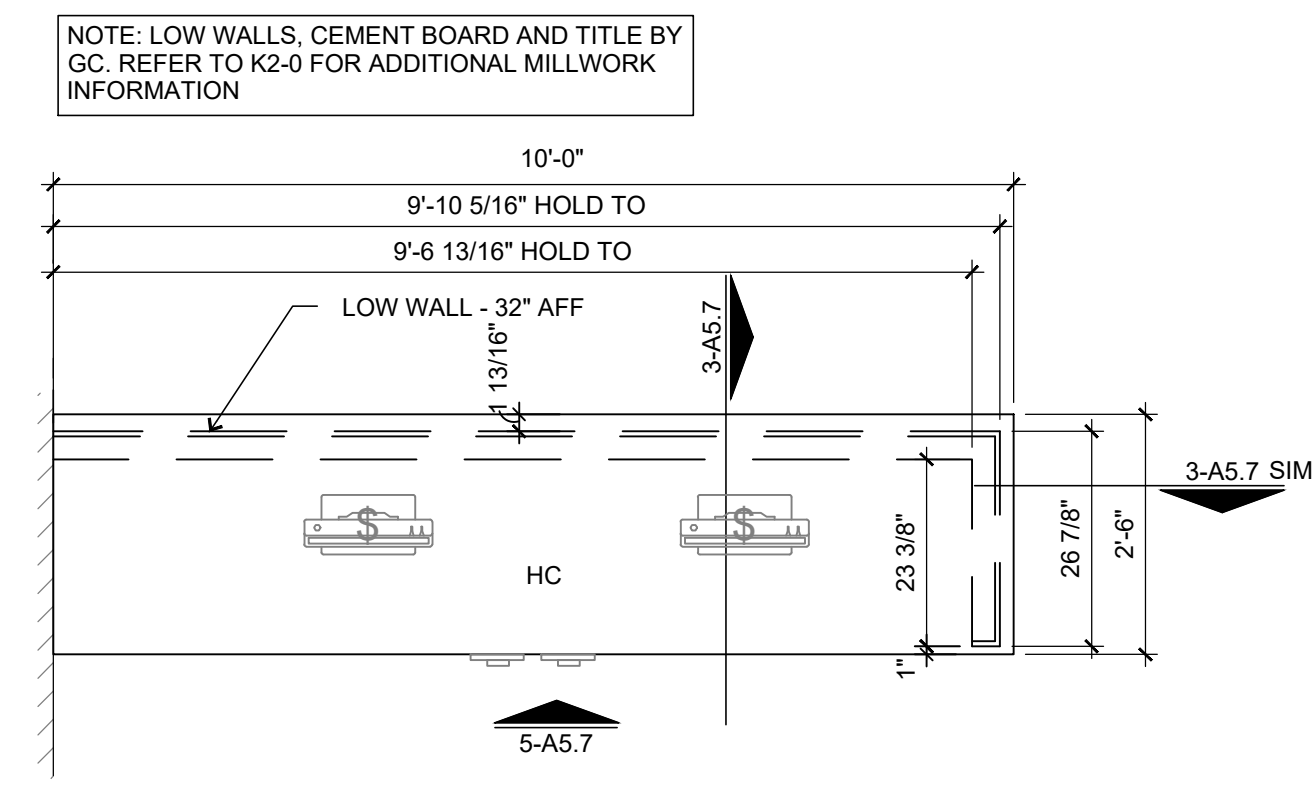
DOCUMENTS WITHOUT
SIGNATURE AND REQUIRED SEAL
OF AOR / EOR ARE NOT FOR
CONSTRUCTION.



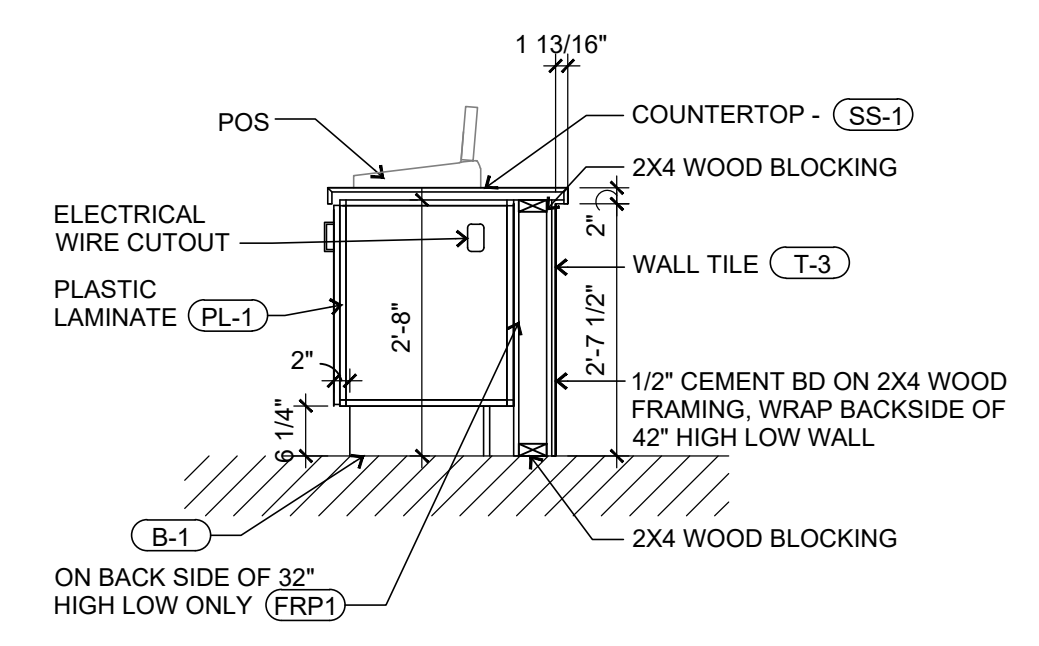
Printed: 2/14/2023 10:04:17 AM V:\Slim Chickens\San Antonio, TX\04-CAD\Sheet\A5-7\DETAILS - MILLWORK.dwg



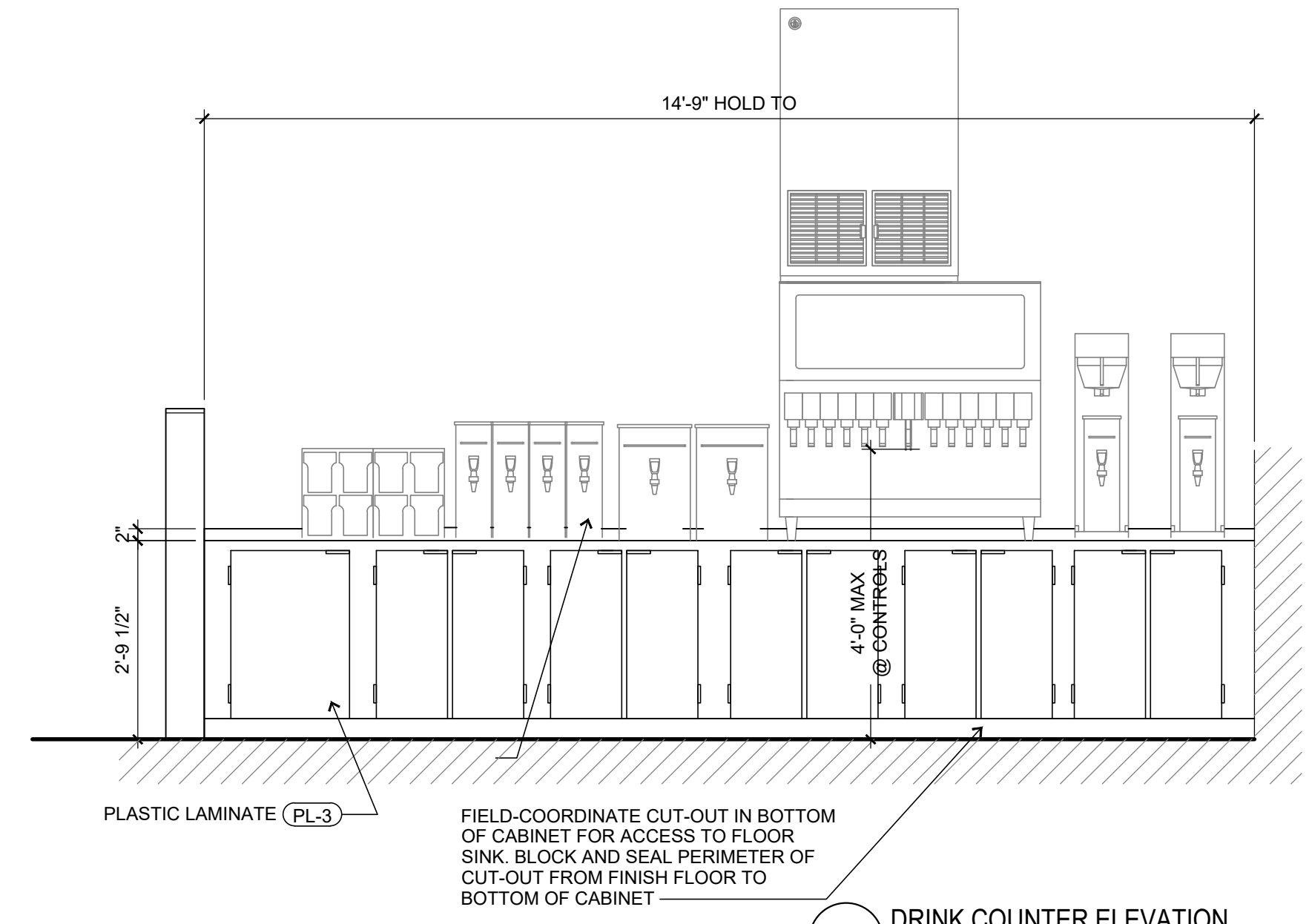
5 FRONT COUNTER ELEVATION
SCALE: 1/2" = 1'-0"



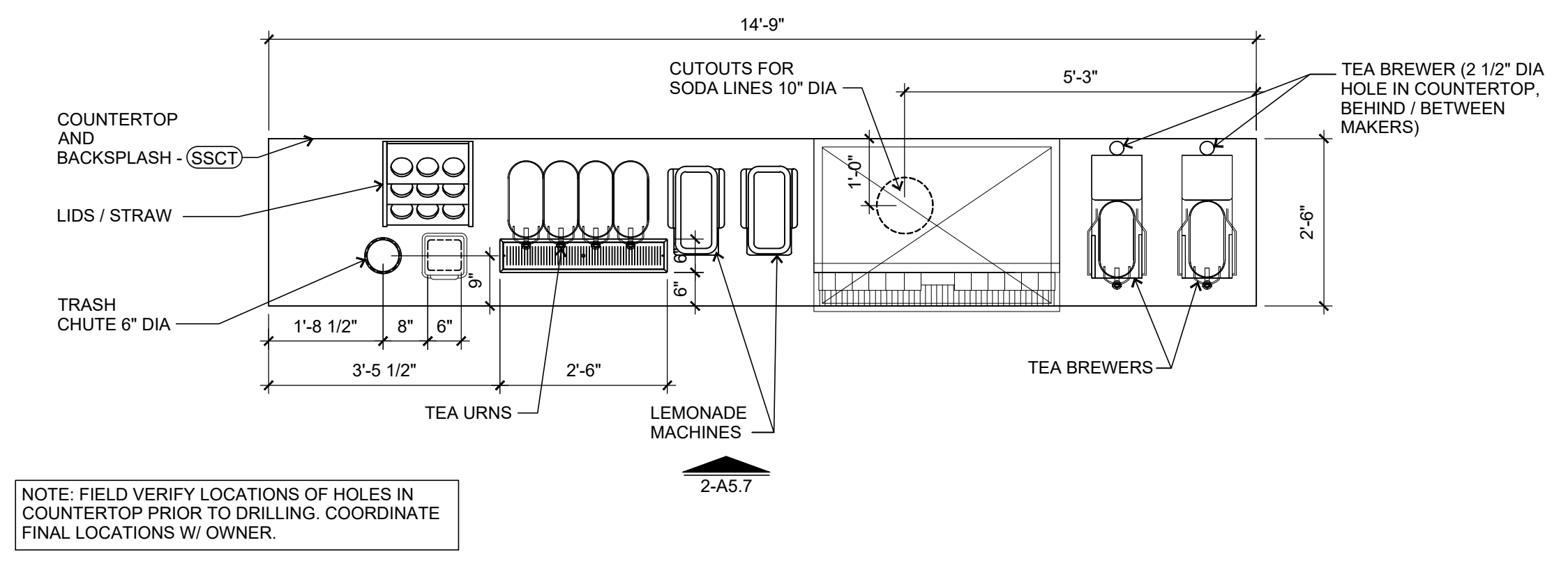
4 FRONT COUNTER PLAN
SCALE: 1/2" = 1'-0"



3 FRONT COUNTER SECTION
SCALE: 1/2" = 1'-0"



2 DRINK COUNTER ELEVATION
SCALE: 1/2" = 1'-0"



1 DRINK COUNTER PLAN
SCALE: 1/2" = 1'-0"

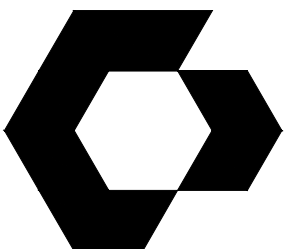
THIS DRAWING WAS PREPARED SOLELY AND EXCLUSIVELY FOR EXECUTION OF THE PROJECT IDENTIFIED WITHIN THESE DOCUMENTS. CONTEMPORANEOUSLY WITH ITS ISSUE DATE THIS DRAWING MAY NOT BE USED ON OTHER PROJECTS OR FOR ADDITIONS TO THE PROJECT OUTSIDE THE SCOPE OF WORK WITHOUT WRITTEN CONSENT OF THE OWNER, ARCHITECT, AND THE ARCHITECT'S CONSULTANTS. THE ARCHITECT AND THE ARCHITECT'S CONSULTANTS ARE THE AUTHORS AND OWNERS OF THEIR RESPECTIVE DRAWINGS AND SPECIFICATIONS, AND RETAIN ALL COMMON LAW, STATUTORY, AND OTHER RIGHTS, INCLUDING COPYRIGHTS.

ISSUES / REVISIONS

NO.	DESCRIPTION	DATE

ISSUE DATE: 02/14/2023
PROTO CYCLE: Q2 2022
PROTO SIZE: B1L
CHECKED BY: LJW/DW
DRAWN BY: LW

SHEET NUMBER
DETAILS - MILLWORK
A5.7



CYNERGY
810 S CINCINNATI AVE, STE 200
TULSA, OK 74119
918.877.6000

HOOD INFORMATION - JOB#4814879

HOOD NO	TAG	MODEL	MANUFACTURER	LENGTH	MAX COOKING TEMP	TYPE	APPLIANCE DUTY	DESIGN CFM/FT	TOTAL EXH CFM	EXHAUST PLENUM RISER(S)				MUA CFM	AC CFM	HOOD CONSTRUCTION	HOOD CONFIG		
										WIDTH	LENG	HEIGHT	DIA				CFM	VEL	SP
1	KH-1	5430 ND-2-ACPSP-F	CAPTIVEAIRE	16' 0"	450 DEG	I	MEDIUM	188	3008	4'	18"	3008	170E	-0.848'	2797	1088	430 SS WHERE EXPOSED	ALDNE	ALDNE
2	KH-2	3044 BD-2	CAPTIVEAIRE	4' 0"	450 DEG	I	MEDIUM	125	500	4'	8"	500	143E	-0.394'	0	0	430 SS WHERE EXPOSED	ALDNE	ALDNE

HOOD INFORMATION

HOOD NO	TAG	FILTER(S)				LIGHT(S)		UTILITY CABINET(S)				FIRE SYSTEM PIPING	HOOD HANGING WEIGHT				
		TYPE	QTY	HEIGHT	LENGTH	EFFICIENCY @ 7 MICRONS	QTY	TYPE	WIRE GUARD	LOCATION	SIZE			FIRE SYSTEM	ELECTRICAL	SWITCHES	
1	KH-1	CAPTRATE SOLID FILTER	12	20"	16"	85% SEE FILTER SPEC	8	L55 SERIES E26	NO	WALL MNT	12"x48"x24"	ANSUL R102	3.0/3.0	SC-321110FP	1 LIGHT 1 FAN	YES	1351 LBS
2	KH-2	CAPTRATE SOLID FILTER	2	16"	20"	85% SEE FILTER SPEC	2	L55 SERIES E26	NO	RIGHT	12"x54"x30"					YES	184 LBS

HOOD OPTIONS

HOOD NO	TAG	OPTION
1	KH-1	FIELD WRAPPER 6.00" HIGH FRONT, LEFT. BACKSPLASH 114.00" HIGH X 204.50" LONG 430 SS VERTICAL. BACKSPLASH 114.00" HIGH X 208.50" LONG 430 SS VERTICAL. BACKSPLASH 114.00" HIGH X 114.50" LONG 430 SS VERTICAL. LEFT END PANEL 30" TOP WIDTH, 26" BOTTOM WIDTH, 40" HIGH 430 SS. BACKSPLASH - INSIDE CORNER 114.00" HIGH X 2.00" LEG LENGTH 430 SS VERTICAL. BACKSPLASH - INSIDE CORNER 114.00" HIGH X 2.00" LEG LENGTH 430 SS VERTICAL. BACKSPLASH - OUTSIDE CORNER 114.00" HIGH X 2.00" LEG LENGTH 430 SS VERTICAL. INSULATION FOR TOP OF HOOD. STRUCTURAL FRONT PANEL. INSULATION FOR BACK OF HOOD. RISER SENSOR INSTALL 6IN PLEN.
2	KH-2	FIELD WRAPPER 26.00" HIGH FRONT, LEFT, RIGHT. LEFT QUARTER END PANEL 20" TOP WIDTH, 0" BOTTOM WIDTH, 20" HIGH 430 SS. RIGHT QUARTER END PANEL 20" TOP WIDTH, 0" BOTTOM WIDTH, 20" HIGH 430 SS. INSULATION FOR BACK OF HOOD. RISER SENSOR INSTALL 6IN PLEN.

AIR BALANCE NOTE:
TOTAL EXHAUST = HOOD EXHAUST* - HOOD SUPPLY
TOTAL EXHAUST = 3,508 CFM - 2,780 CFM
TOTAL EXHAUST = 728 CFM NEEDED FROM HVAC

NOTES:
*INCLUDES DISHWASHER HOOD(S) IN EXHAUST TOTALS.
THIS HOOD SYSTEM HAS A HEAT SENSOR(S) THAT COMPLIES WITH IMC 507.2.11 FOR AUTOMATIC FAN ACTIVATION WHENEVER COOKING OPERATIONS OCCUR.

CUSTOMER APPROVAL TO MANUFACTURE: THIS BLOCK MUST BE COMPLETED BEFORE JOB WILL BE PUT INTO PRODUCTION

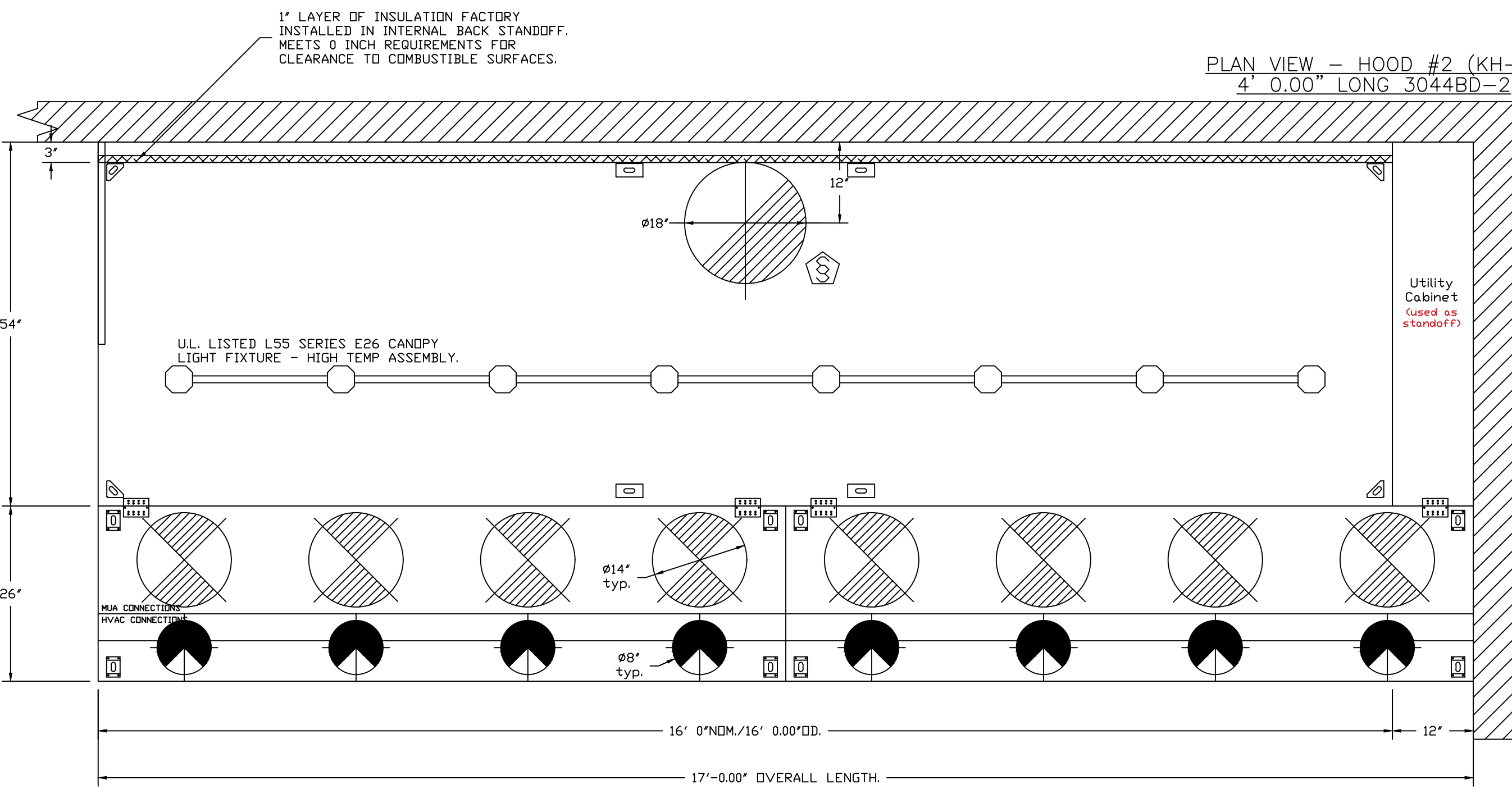
APPROVED AS DRAWN APPROVED AS NOTED REVISE & RESUBMIT SIGNATURE _____ DATE _____

PERFORATED SUPPLY PLENUM(S)

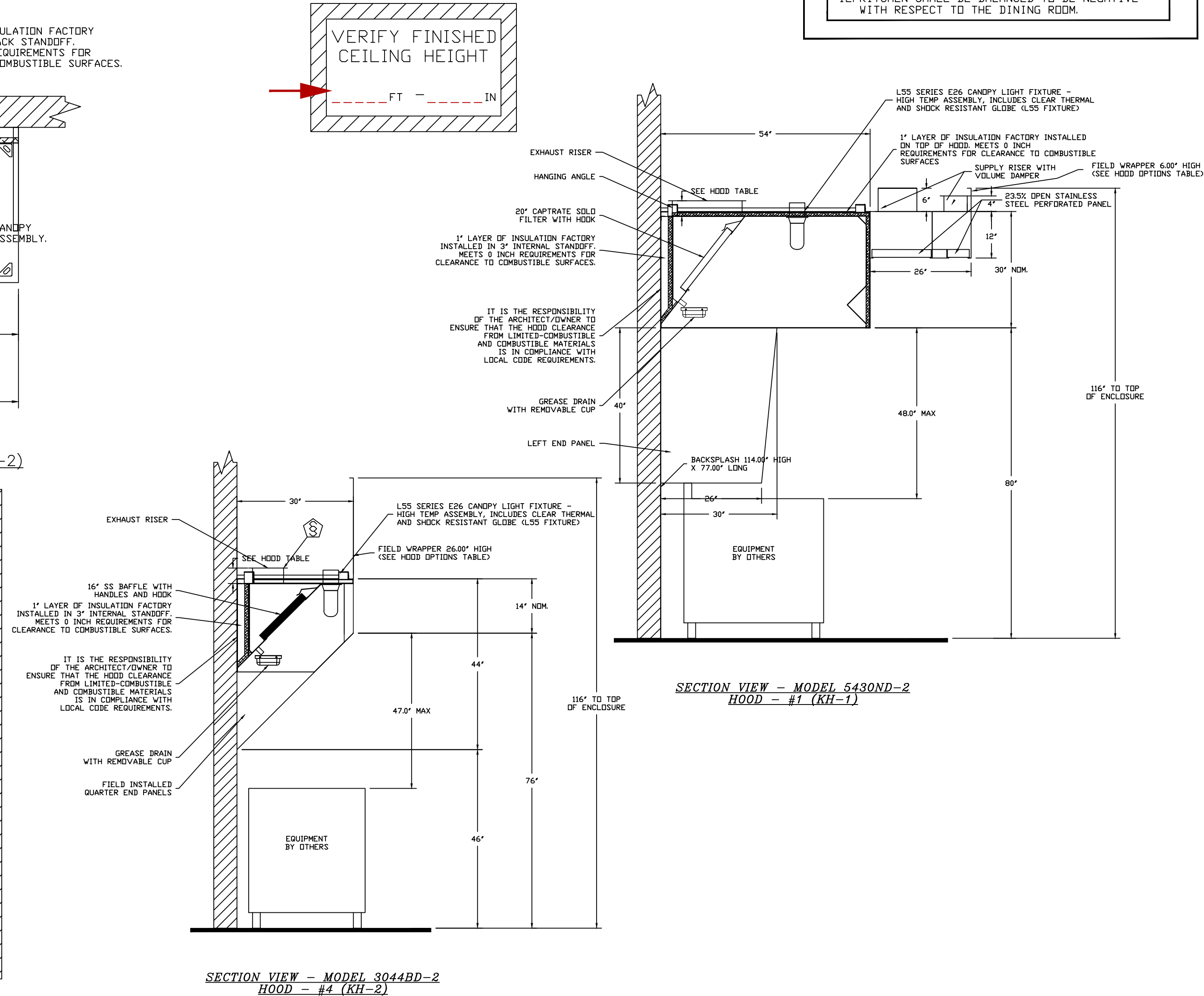
HOOD NO	TAG	POS	LENGTH	WIDTH	HEIGHT	TYPE	RISER(S)		
							WIDTH	LENG	DIA
1	KH-1	Front	204"	26"	12"	MUA	14"	346	0.108"
							14"	346	0.108"
							14"	346	0.108"
							14"	346	0.108"
							14"	346	0.108"
							14"	346	0.108"
							14"	346	0.108"
							14"	346	0.108"
							14"	346	0.108"
							14"	346	0.108"
							14"	346	0.108"
							14"	346	0.108"
							14"	346	0.108"
							14"	346	0.108"
14"	346	0.108"							
1	KH-1	Front	204"	26"	12"	AC	8"	136	0.057"
							8"	136	0.057"
							8"	136	0.057"
							8"	136	0.057"
							8"	136	0.057"
							8"	136	0.057"
							8"	136	0.057"
							8"	136	0.057"
							8"	136	0.057"
							8"	136	0.057"
							8"	136	0.057"
							8"	136	0.057"
							8"	136	0.057"
							8"	136	0.057"
8"	136	0.057"							

WALL-MOUNT UTILITY CABINET

HOOD NO	LOCATION	SIZE	UTILITY CABINET(S)				WEIGHT
			FIRE SYSTEM	ELECTRICAL	SWITCHES		
1	WALL MNT	12"x48"x24"	ANSUL R102	3.0/3.0	SC-321110FP	1 LIGHT 1 FAN	254.00 LBS



PLAN VIEW - HOOD #2 (KH-2)
4' 0.00" LONG 3044BD-2



CAPTIVE-AIRE HOODS ARE BUILT IN COMPLIANCE WITH

NFPA #96
UL 710 & ULC710 STANDARDS
E.T.L. LISTED 3054804-001

FOR QUESTIONS, CALL THE
ARKANSAS MECHANICAL OFFICE
FAYETTEVILLE, ARKANSAS
PHONE: (501) 500-5450 EMAIL: REG146@CAPTIVEAIRE.COM

- GENERAL NOTES:**
- ELECTRICAL HOOD-UP TO CAPTIVEAIRE CONTROLS (MOTOR STARTERS, FAN SWITCHES, DUCT STATS, FAN DISCONNECTS, RELAYS, ETC.) BY OTHERS.
 - FIRE CHASE BY OTHERS, IF REQUIRED.
 - ALL PHASES OF INSTALLATION SHALL COMPLY WITH NFPA 96.
 - WRITTEN MEASUREMENTS HAVE PRECEDENCE OVER SCALE.
 - PROVIDE CLEANOUTS IN EXHAUST AIR DUCTS AS INDICATED TO ALLOW CLEANING AT ALL BENDS AND HORIZONTAL RUNS.
 - EXHAUST DUCT TO BE CAPTIVEAIRE SINGLE WALL DUCT WITH 2 LAYERS OF FIRE WRAP OR DOUBLE WALL MODEL R2, R3, OR Z3 PREFABRICATED GREASE DUCT. ALTERNATIVELY, FIELD FABRICATED WELDED GREASE DUCT WITH 2 LAYERS OF FIRE WRAP IS ACCEPTABLE AS LONG AS DUCT AS BUILT WITHOUT SHARP BENDS OR ANY FEATURES THAT CAUSE EXCESSIVE STATIC PRESSURE OR SYSTEM EFFECT.
 - FAN TO HAVE A MINIMUM OF 10 FT. OF CLEARANCE FROM THE OUTLET TO ADJACENT BUILDINGS, PROPERTY LINES, AIR INTAKES OR 3 FT. VERTICAL CLEARANCE PER NFPA96
 - HORIZONTAL EXHAUST DUCT TO SLOPE NOT LESS THAN 1/4" PER FOOT TOWARD HOOD FOR DUCT LESS THAN 75' LONG.
 - 1" PER FOOT SLOPE FOR DUCT LONGER THAN 75'
 - HOOD TO OVERHANG COOKING EQUIPMENT 6" ON ALL OPEN SIDES.
 - EXHAUST DUCT TO BE PROTECTED FROM COMBUSTIBLES PER NFPA96 AND LOCAL CODE.
 - BUILDING PRESSURE SHALL NOT EXCEED 0.02" WATER COLUMN AT EXTERIOR DOORS.
 - KITCHEN SHALL BE BALANCED TO BE NEGATIVE WITH RESPECT TO THE DINING ROOM.

REVISIONS

NO.	DESCRIPTION	DATE

CAPTIVEAIRE
Arkansas Mechanical
www.captiveaire.com
PO Box 1642, Farmington, AR 72730 PHONE: (501) 500-5450 FAX: (501) 710-8670 EMAIL: reg146@captiveaire.com

NOTE: THIS SHEET IS FOR INFORMATION ONLY

DOCUMENTS WITHOUT SIGNATURE AND REQUIRED SEAL OF AOR / EOR ARE NOT FOR CONSTRUCTION.

SLIM CHICKENS
SAN ANTONIO, TX

Slim Chickens - V1.2400L - H
San Antonio, TX

DATE: 7/15/2022
DWG.#: 4958282
DRAWN BY: Josh / 146
SCALE: NTS

SHEET NO.

THIS DRAWING WAS PREPARED SOLELY AND EXCLUSIVELY FOR EXECUTION OF THE PROJECT IDENTIFIED WITHIN THESE DOCUMENTS. CONTEMPORANEOUSLY WITH ITS ISSUE DATE THIS DRAWING MAY NOT BE USED ON OTHER PROJECTS OR FOR ADDITIONS TO THE PROJECT OUTSIDE THE SCOPE OF WORK WITHOUT WRITTEN CONSENT OF THE OWNER, ARCHITECT, AND THE ARCHITECT'S CONSULTANTS. THE ARCHITECT AND THE ARCHITECT'S CONSULTANTS ARE THE AUTHORS AND OWNERS OF THEIR RESPECTIVE DRAWINGS AND SPECIFICATIONS, AND RETAIN ALL COMMON LAW, STATUTORY, AND OTHER RIGHTS, INCLUDING COPYRIGHTS.

ISSUES / REVISIONS

NO.	DESCRIPTION	DATE

ISSUE DATE: 02/07/2023
PROTO CYCLE: Q2 2022
PROTO SIZE: B1L
CHECKED BY:
DRAWN BY:

SHEET NAME
HOOD PACKAGE

SHEET NUMBER
H1.0

ELECTRICAL PACKAGE - JOB#4958282

NO	TAG	PACKAGE #	LOCATION	SWITCHES		OPTION	FANS CONTROLLED					
				LOCATION	QUANTITY		FAN TAG	TYPE	Φ	HP	VOLTS	FLA
1		SC-321110MA	WALL UTILITY CABINET LEFT	01 - FACE MOUNT LEFT SIDE OF HOOD	1 LIGHT	SMART CONTROLS THERMOSTATIC CONTROL W/ RELAY ON/OFF WITH SUPPLY	KEF-1	EXHAUST	3	3.000	208	9.5
				HOOD # 1	1 FAN		KEF-2	EXHAUST	1	0.333	115	4.3
							KMAU-1	SUPPLY	3	1.500	208	4.4

ELECTRICIAN NOTES :

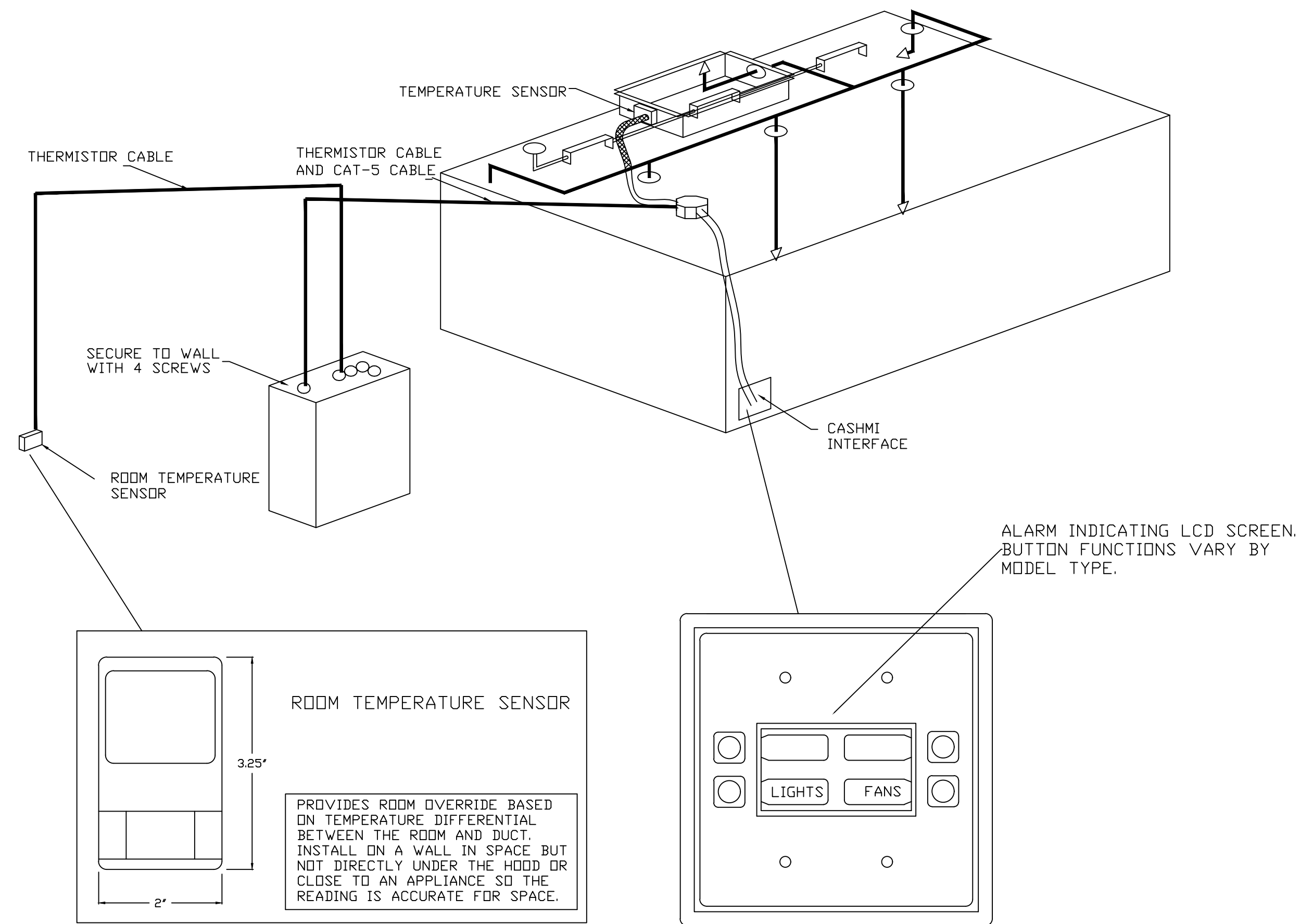
All Hood/Fan/DCV/UDS/PCU electrical connections and interconnections to be provided and installed by Electrician. Electrician to provide, install, and land wiring between hood lights, hood temp sensors, remote Ansul system microswitches, and any other component requiring an electrical connection to the Captive-Aire electrical package. Failure by the Electrician to make ALL required electrical connections and interconnections will result in the electrical controls not working properly. Any loss or failed test as a result of electrical controls not working properly is the responsibility of the Electrician. Light bulbs for kitchen hoods to be provided and installed by electrician.

CUSTOMER APPROVAL TO MANUFACTURE: THIS BLOCK MUST BE COMPLETED BEFORE JOB WILL BE PUT INTO PRODUCTION

APPROVED AS DRAWN APPROVED AS NOTED REVISE & RESUBMIT

SIGNATURE _____ DATE _____

CASHMI INTERFACE ON HOOD AND REMOTE PANEL



REVISIONS

NO	DESCRIPTION	DATE

CAPTIVE-AIRE

Arkansas Mechanical

www.captiveaire.com

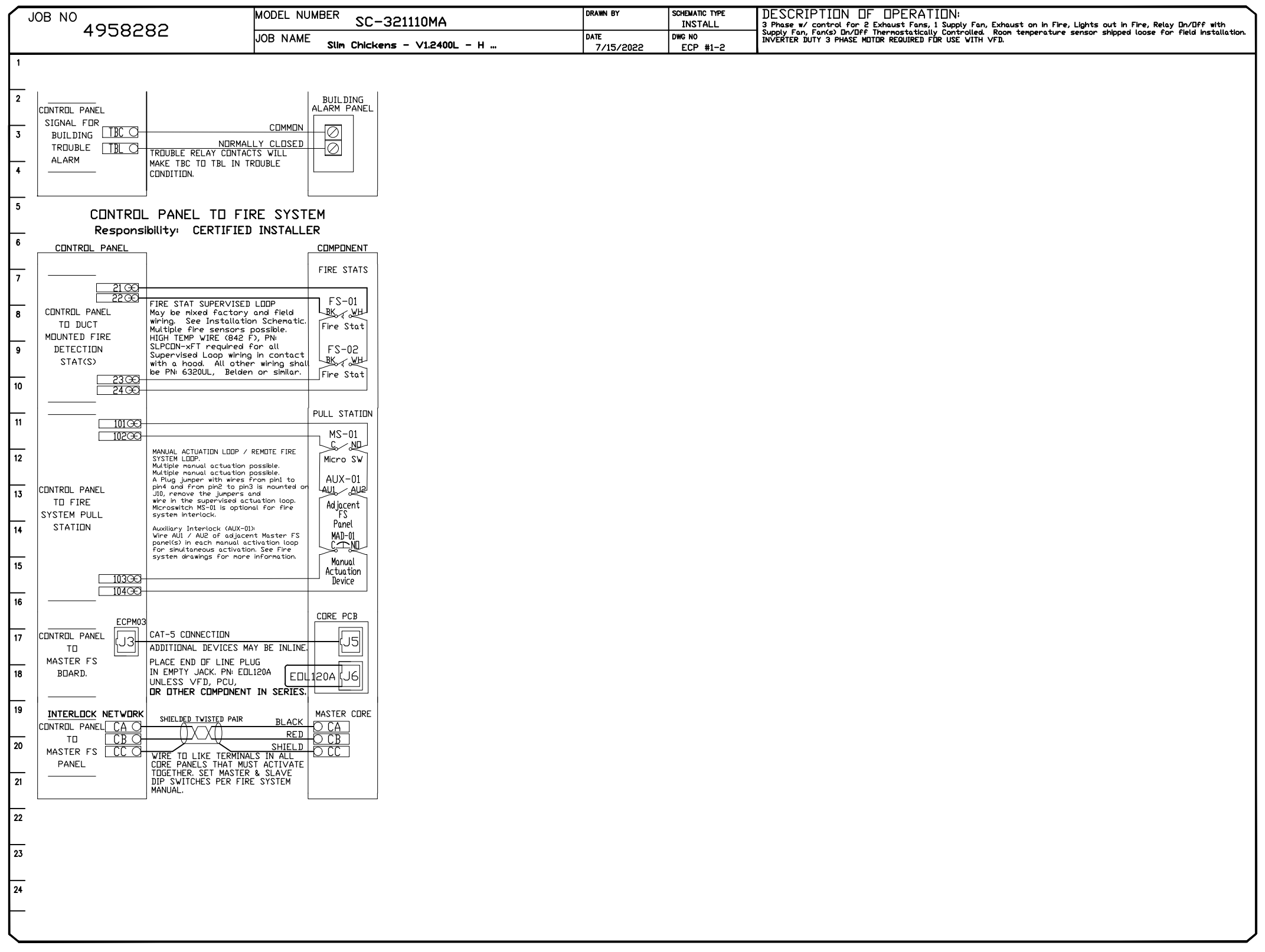
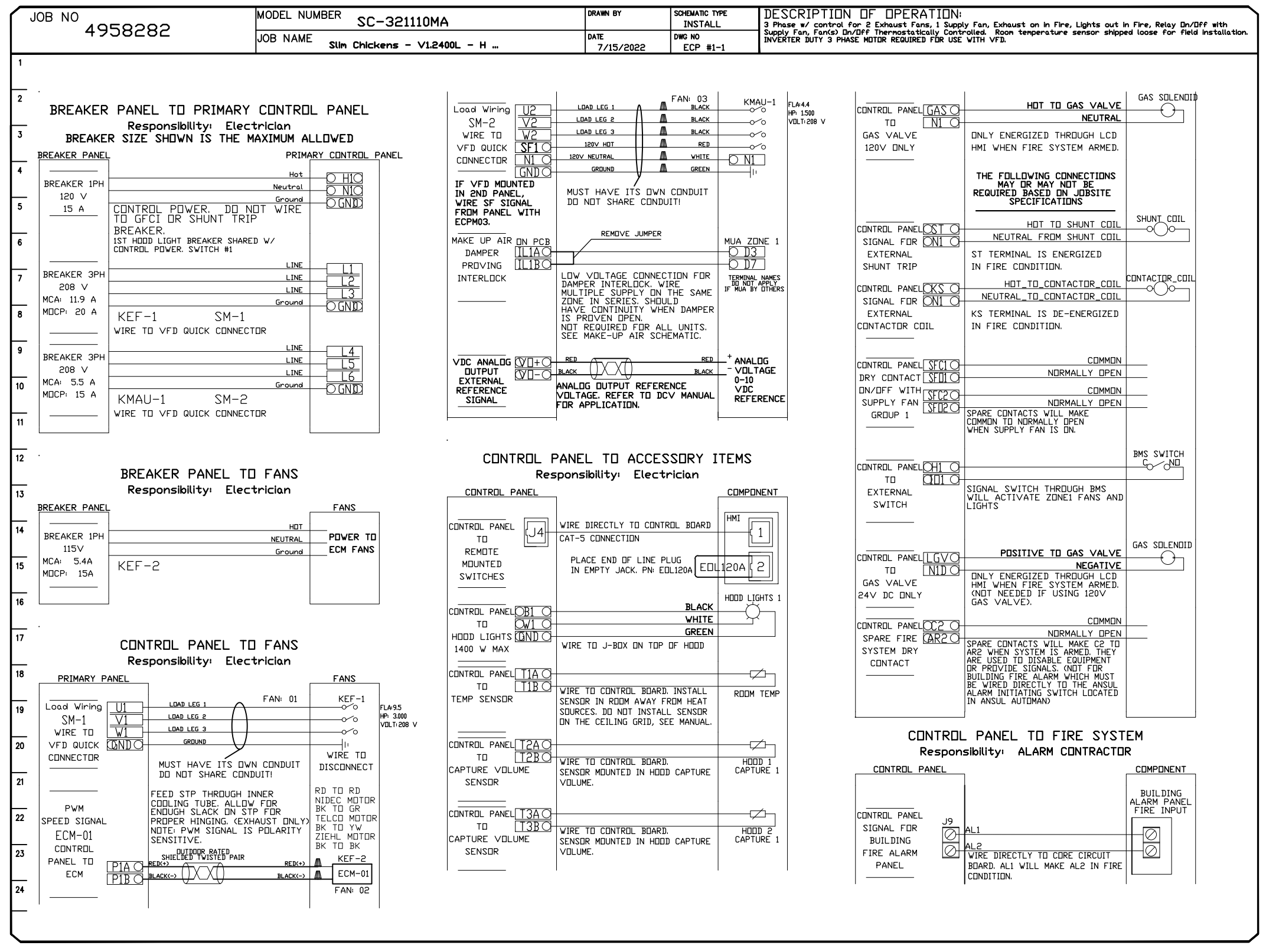
PO Box 1642, Farmington, AR, 72730 PHONE: (501) 500-5450 FAX: (501) 710-6670 EMAIL: reg146@captiveaire.com

NOTE: THIS SHEET IS FOR INFORMATION ONLY

DOCUMENTS WITHOUT SIGNATURE AND REQUIRED SEAL OF AOR / EOR ARE NOT FOR CONSTRUCTION.

SLIM CHICKENS

SAN ANTONIO, TX



DATE: 7/15/2022

DWG.#: 4958282

DRAWN BY: Jash / 146

SCALE: NTS

SHEET NO.

THIS DRAWING WAS PREPARED SOLELY AND EXCLUSIVELY FOR EXECUTION OF THE PROJECT IDENTIFIED WITHIN THESE DOCUMENTS. DATE: 02/07/2023

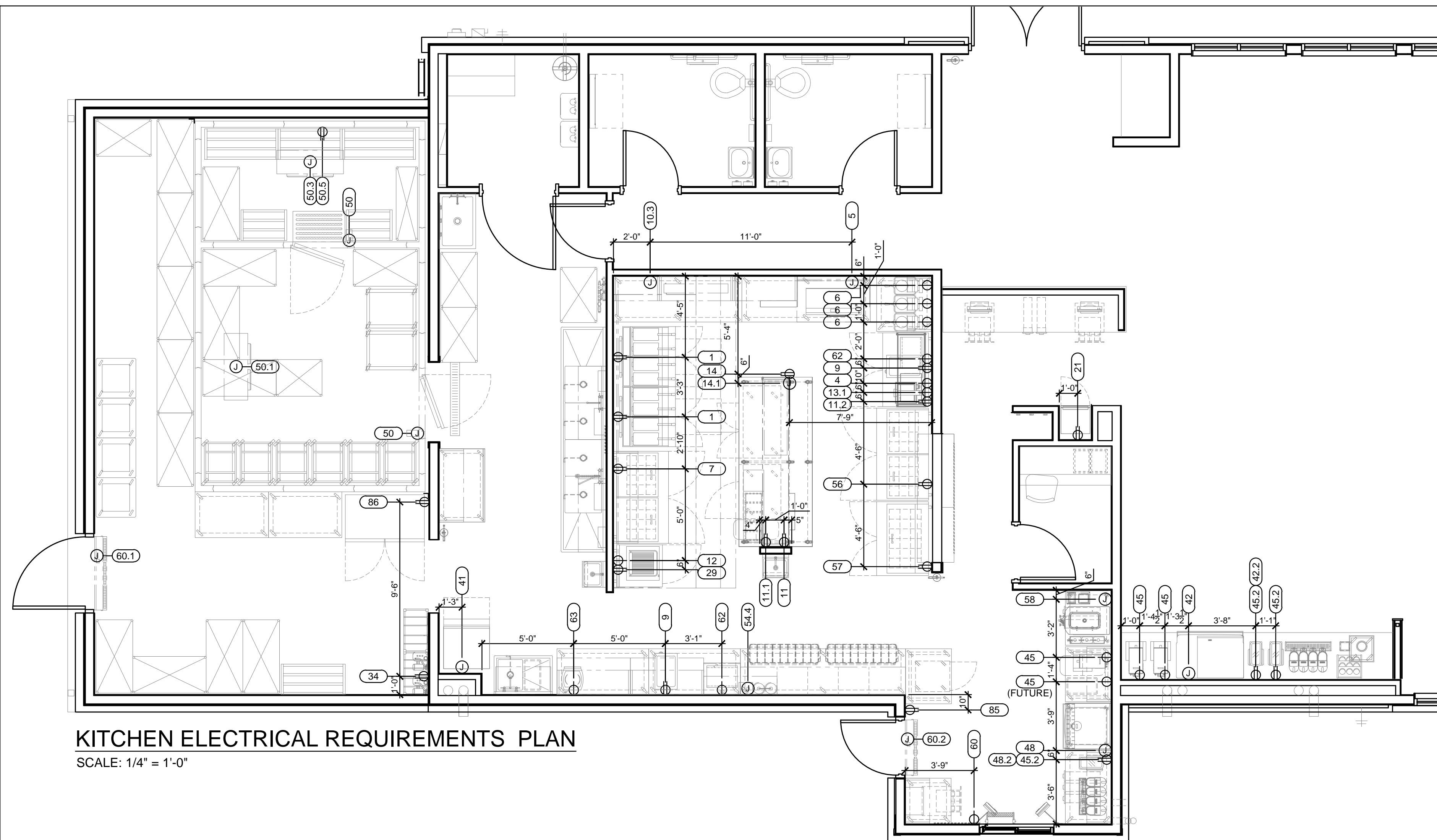
ISSUES / REVISIONS

NO	DESCRIPTION	DATE

ISSUE DATE: 02/07/2023
 PROTO CYCLE: Q2 2022
 PROTO SIZE: B1L
 CHECKED BY:
 DRAWN BY:

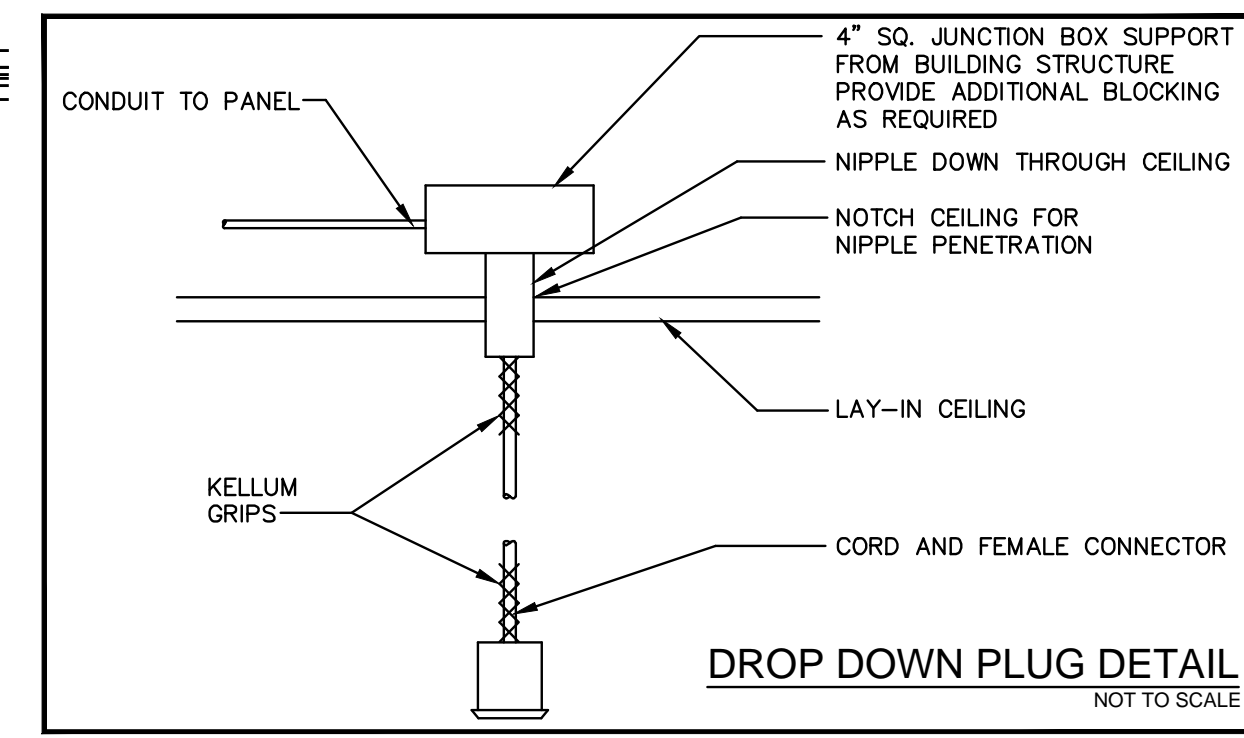
SHEET NAME: HOOD PACKAGE

SHEET NUMBER: H6.0

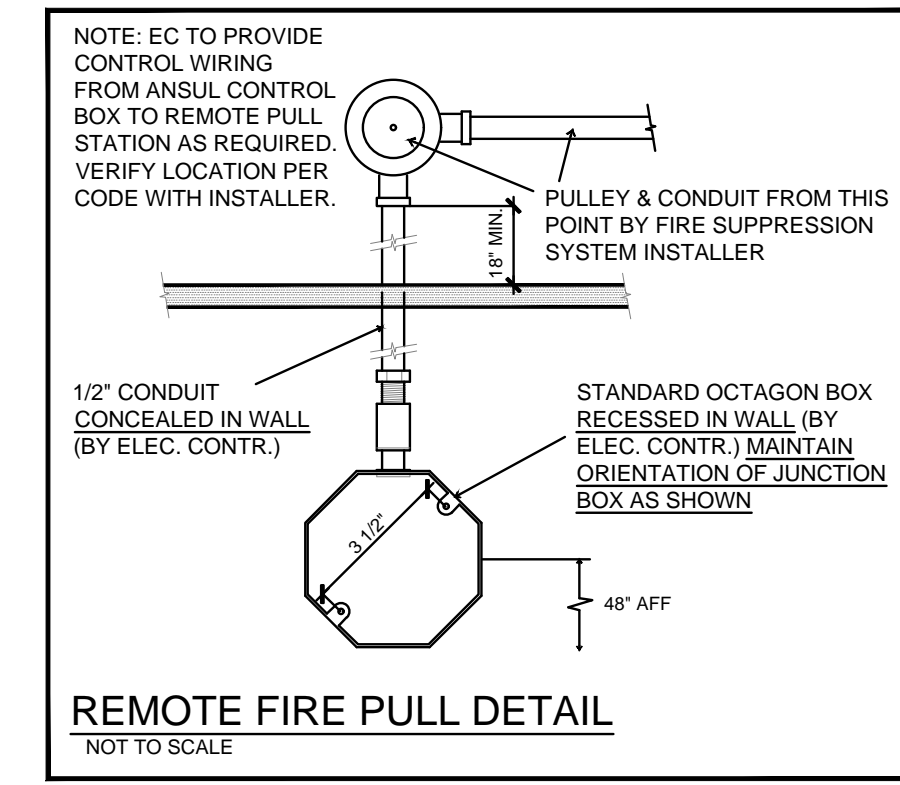


KITCHEN ELECTRICAL REQUIREMENTS PLAN

SCALE: 1/4" = 1'-0"



DROP DOWN PLUG DETAIL
NOT TO SCALE



REMOTE FIRE PULL DETAIL
NOT TO SCALE

ELECTRICAL NOTES

- THESE DRAWINGS ARE TO BE USED AS AN INSTRUMENT OF REFERENCE BY ALL OTHER TRADES AND CONTRACTORS. ALL TRADES SHALL VERIFY THE INFORMATION AS INDICATED ON THESE PLANS.
- DIMENSIONS AND REQUIREMENTS FOR ALL EQUIPMENT THAT IS LISTED AS EXISTING, PROVIDED BY OTHERS OR PROVIDED BY OWNER, MUST BE VERIFIED WITH THE APPROPRIATE PARTIES.
- ALL LOCAL, STATE AND NATIONAL CODES SHALL APPLY.
- THESE UTILITY REQUIREMENT DRAWINGS INDICATE THE UTILITY AND LOCATION OF REQUIREMENTS BASED ON THE EQUIPMENT SPECIFIED.
- ALL EQUIPMENT SHALL BE WIRED IN STRICT CONFORMANCE WITH THE MANUFACTURER'S INSTRUCTIONS AND/OR SHOP DRAWINGS.
- UNLESS OTHERWISE NOTED, ALL DIMENSIONS SHOWN ON THIS PLAN ARE FROM THE FINISHED FLOOR, CEILING, WALLS OR COLUMN CENTERLINES TO THE CENTERLINE OF THE ROUGH-INS.
- ALL ELECTRICAL CONNECTIONS ARE TO BE EXTENDED AND INTERCONNECTED TO CONNECTION POINTS ON THE EQUIPMENT BY OTHERS. UNLESS SPECIFIED, ALL HARDWARE REQUIRED FOR THESE CONNECTIONS SHALL BE SUPPLIED BY THE ELECTRICAL CONTRACTOR.
- SURFACE MOUNTED WIRE AND CONDUIT WILL NOT BE ALLOWED. ALL ELECTRICAL LINES AND CONDUIT SHALL BE EXTENDED THROUGH AND OUT OF BUILDING WALLS WHERE POSSIBLE. WHERE SURFACE MOUNTED CONDUIT IS UNAVOIDABLE, IT MUST BE COORDINATED WITH HOCKENBERGS.
- ROUGH-INS OUT OF FLOOR SHOULD BE STUBBED UP 4" ABOVE FINISHED FLOOR AND BROUGHT TO THE REQUIRED HEIGHT AFTER EQUIPMENT IS SET IN PLACE.
- ALL 120 VOLT UTILITY OUTLETS TO BE G.F.C.I. OUTLETS.
- ALL NECESSARY ELECTRICAL DISCONNECTS, SHUNT TRIP BREAKERS AND STARTERS ARE TO BE FURNISHED AND INSTALLED BY OTHERS, UNLESS PROVIDED AS A STANDARD OR SPECIFIED EQUIPMENT COMPONENT OF THE EQUIPMENT MANUFACTURER. THIS SHALL INCLUDE ELECTRICAL DISCONNECTS FOR ALL REMOTE COMPRESSORS, BOOSTER HEATERS AND OTHER ITEMS REQUIRED BY CODE.
- ALL ELECTRICAL ITEMS SUPPLIED UNDER COOKING LINE EXHAUST HOOD ARE TO SHUT DOWN WITH SHUNT TRIP BREAKERS (BY OTHERS) CONNECTED TO FIRE SYSTEM. ELECTRICAL ENGINEER TO CONFIRM COMPLIANCE TO ALL CODES.
- ALL OUTLETS, JUNCTION BOXES, DISCONNECTS, ETC. SHALL BE INSTALLED SO AS NOT TO INTERFERE WITH THE PERFORMANCE, FUNCTION, OR PLACEMENT OF THE EQUIPMENT.
- STARTERS, RELAYS, HEATERS AND SWITCHES REQUIRED FOR EXHAUST AND SUPPLY FANS ARE TO BE PROVIDED AND INSTALLED BY THE ELECTRICAL CONTRACTOR.
- DISHMACHINES:
 - ELECTRICAL CONTRACTOR SHALL INTERCONNECT DISHMACHINE WITH DISHMACHINE EXHAUST FAN. INTERCONNECTION SHALL LINK OPERATION OF EXHAUST FAN AND DISHMACHINE SO THAT BOTH UNITS RUN SIMULTANEOUSLY AT ALL TIMES.
 - ELECTRICAL CONTRACTOR SHALL INTERCONNECT TABLE LIMIT SWITCH AT END OF CLEAN DISHTABLE WITH CONVEYOR TYPE DISHMACHINES. LIMIT SWITCH SHALL TERMINATE DISHMACHINE OPERATION WHEN DEPRESSED.
- WALK-IN COOLER/FREEZER BOXES & REMOTE COMPRESSORS:
 - INTERCONNECT TO BLOWER COIL IN FREEZER.
 - INTERCONNECT BETWEEN TIMER & CONTACTOR.
 - INTERCONNECT BETWEEN TIMER & PRESSURE CONTROL SOLENOID.
 - INTERCONNECT BETWEEN CONTACTOR AND COMPRESSOR FAN.
 - INTERCONNECT BETWEEN TERMINAL AND CONTACTOR TO BLOWER COIL IN FREEZERS.
 - CONNECT DRAIN LINE HEATER TO RECEPTACLE IN FREEZER.
 - CONNECT PAN HEATER TO TERMINAL STRIP IN FREEZERS.
 - CONNECT DOOR HEATER TO TERMINAL STRIP IN FREEZERS.
- ALL ELECTRICAL CONDUIT TO BE RUN ON TOP (EXTERIOR) OF WALK-IN COOLER/FREEZER BOX WHERE POSSIBLE.
- UNLESS PROVIDED BY THE MANUFACTURER, ALL LIGHT BULBS FOR FOODSERVICE EQUIPMENT TO BE PROVIDED BY OTHERS.

ELECTRICAL SYMBOLS

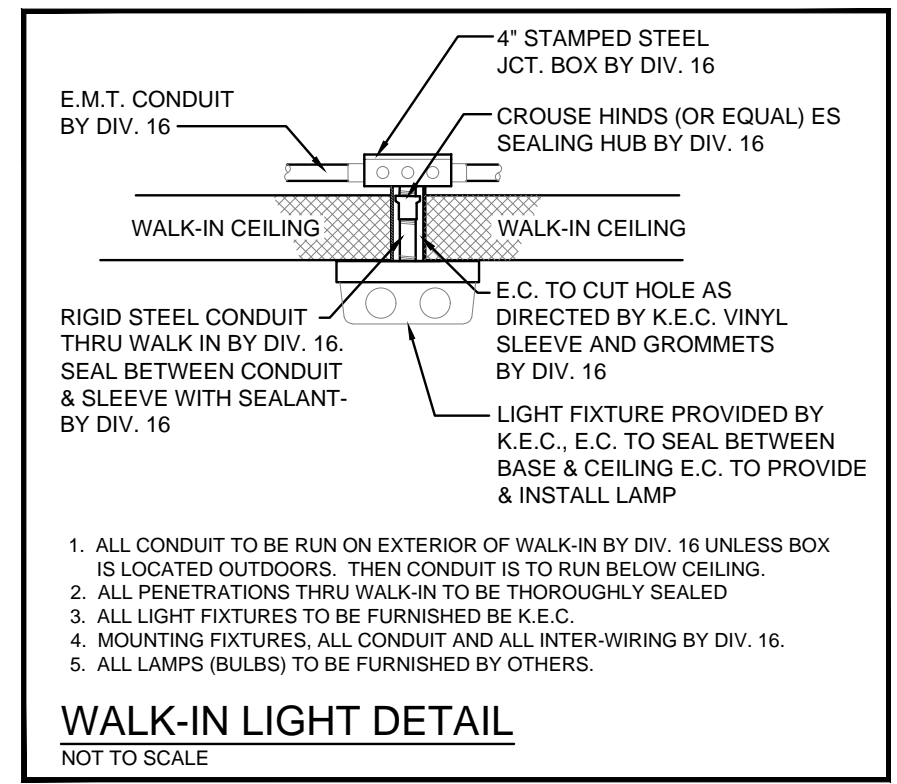
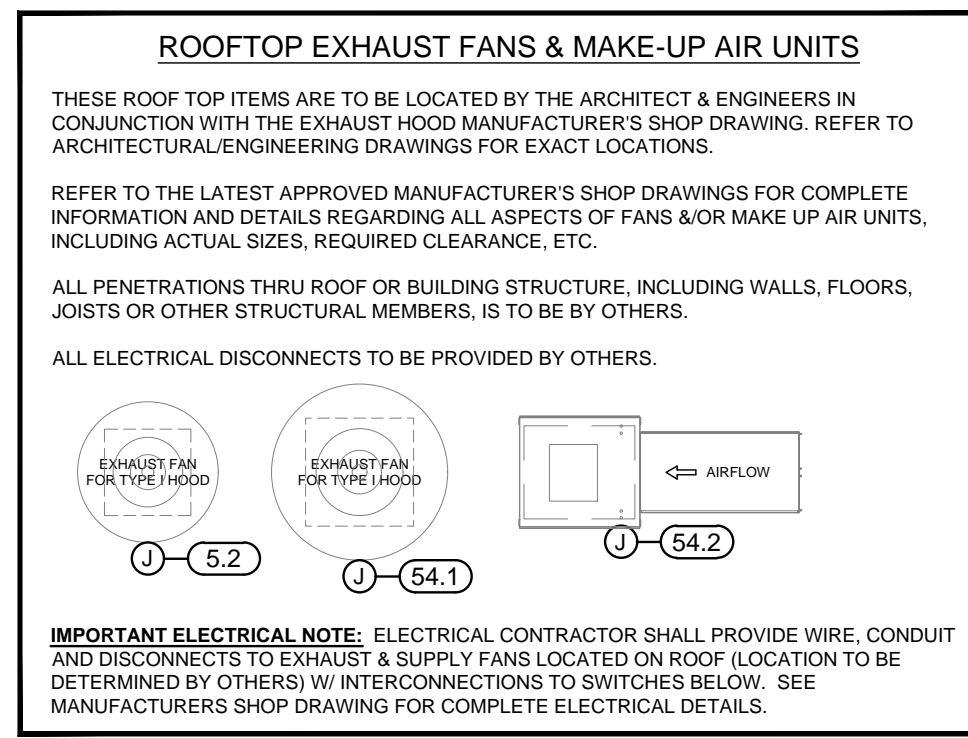
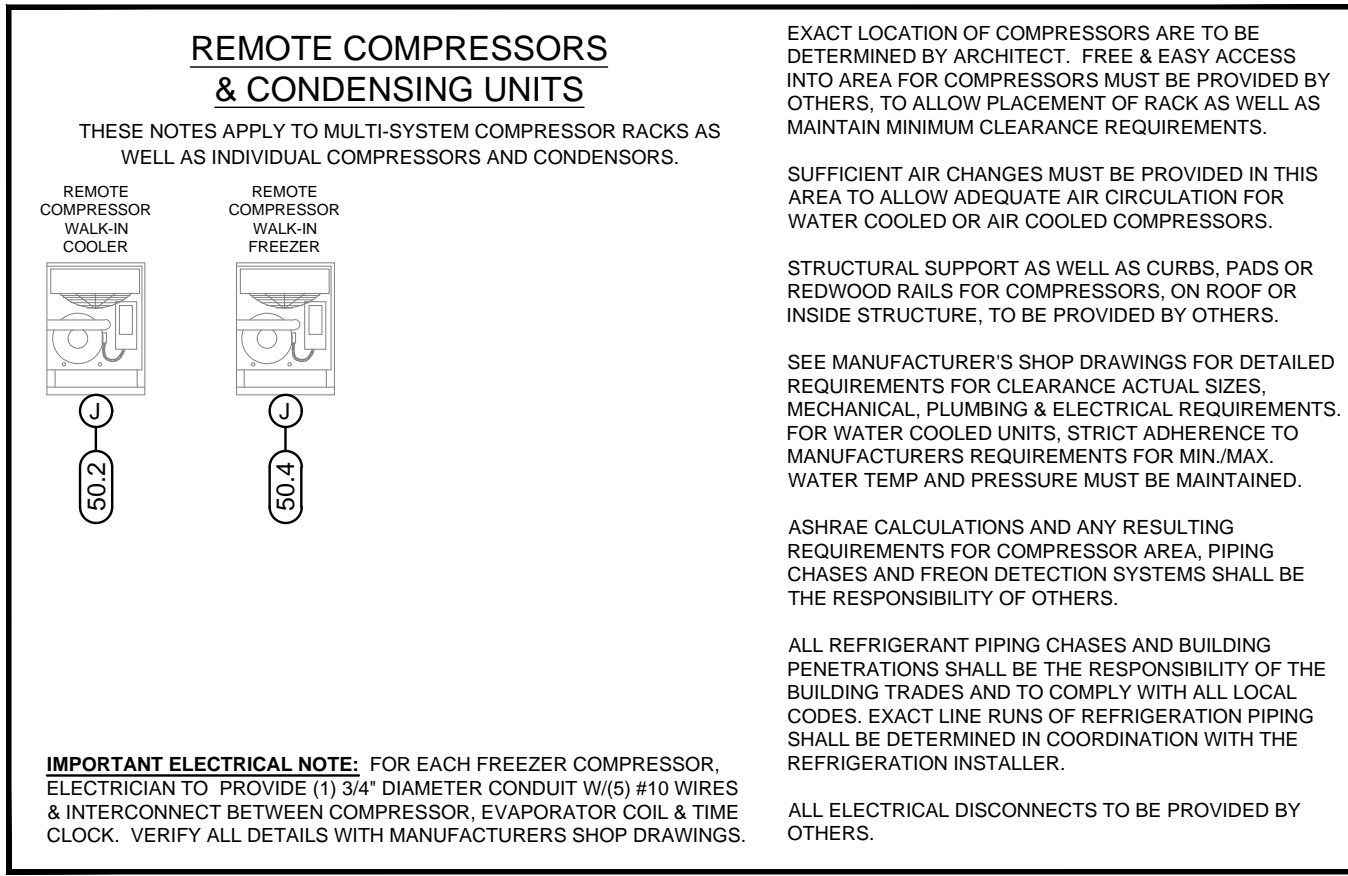
ITEM NUMBER CONNECTION NUMBER	ELECTRICAL ROUGH-IN NOTE (SEE SCHEDULE)
[Symbol]	SINGLE RECEPTACLE
[Symbol]	DUPLEX RECEPTACLE
[Symbol]	QUAD RECEPTACLE
[Symbol]	ISOLATED GROUND DUPLEX RECEPTACLE
[Symbol]	HIGH VOLTAGE RECEPTACLE
[Symbol]	JUNCTION BOX
[Symbol]	SPECIAL OUTLET
[Symbol]	WALL SWITCH
[Symbol]	TELEPHONE
[Symbol]	DATA
[Symbol]	USB RECEPTACLE
[Symbol]	ELECTRICAL INTERCONNECTION

ELECTRICAL EQUIPMENT SCHEDULE

Item No	Qty	Equipment Category	Amps	KW	HP	Volts	Phase	Cycle	Direct	Plug	NEMA	Electrical AFF (in)	Elec Remarks
1	2	DEEP FAT TWO FRY BATTERY W/FILTER, GAS	4.0			120	1	60	X		5-15P	24	FOR COMPUTERS/TWO PLACES
4	1	TORTILLA PRESS	15.0	1.8		120	1	60	X		5-15P	50	FOR FILTER/TWO PLACES
5	1	COUNTERTOP GRIDDLE, ELECTRIC (36")	19.5	4.05		208	1	60	X			50	
5.1	1	LOW PROXIMITY SLOPED BACKSHELF HOOD (48")										DFA	FOR LIGHTS/POWER FROM #54.4
5.2	1	EXHAUST FAN	1.3		0.33	208	3	60	X				AT UNIT
6	3	WAFFLE BAKER (BY VENDOR)	11.0	1.3		120	1	60	X		5-15P	60	THREE PLACES
7	1	BREADING STATION REFRIGERATOR (60")	4.4		0.33	115	1	60	X		5-15P	24	
9	2	COUNTERTOP HOT FOOD WELL	10.0	1.2		120	1	60	X		5-15P	60	TWO PLACES
10.3	1	SINGLE HEAT LAMP (42"W x 6"D)	4.6	0.95		208	1	60	X			50	
11	1	UNDERCOUNTER REFRIGERATOR (35")	1.7		0.17	115	1	60	X		5-15P	24	
11.1	1	REFRIGERATED RAIL (47")	1.3		0.2	115	1	60	X		5-15P	50	
11.2	1	WORKTOP REFRIGERATOR (48")	2.7		0.2	115	1	60	X		5-15P	24	
12	1	PANINI GRILL, ELECTRIC		1.8		120	1	60	X		5-15P	50	
13.1	1	PRODUCT HOLDING UNIT (4-PAN) (SINGLE-SIDED)	5.8			208	1	60	X		6-15P	66	
14	1	UNDERCOUNTER FREEZER (47")	3.1		0.33	115	1	60	X		5-15P	DFA	
14.1	1	DUAL HEAT LAMP (48"W x 15"D)	10.6	2.2		208	1	60	X			DFA	
21	1	REFRIGERATED MERCHANDISER	1.8		0.1	115	1	60	X		5-15P	24	
29	1	WORKTOP REFRIGERATOR (28")	2.2		0.2	115	1	60	X		5-15P	24	
34	1	BAG-N-BOX/CARBONATOR (BY VENDOR)	10.0			120	1	60	X		5-15P	88	VERIFY UTILITIES
41	1	ICE MACHINE (BOH) (1500LB. CAPACITY)	15.9			208	1	60	X			84	
42	1	ICE MACHINE (DINING ROOM) (1500LB. CAPACITY)	15.9			208	1	60	X			108	
42.2	1	COUNTERTOP SODA DISPENSER (12-VALVE) (BY VENDOR)	5.0			115	1	60	X		5-15P	50	
45	4	TEA BREWER (BY VENDOR)	13.8	1.65		120	1	60	X		5-15P	50	FOUR PLACES/(1) FUTURE
45.2	3	LEMONADE DISPENSER (BY VENDOR)	3.0	0.34		120	1	60	X		5-15P	50	THREE PLACES
48	1	ICE MACHINE (DRIVE-THRU) (1500LB. CAPACITY)	15.9			208	1	60	X			108	
48.2	1	COUNTERTOP SODA DISPENSER (10-VALVE) (BY VENDOR)	4.0			115	1	60	X		5-15P	50	
50	1	WALK-IN COOLER/FREEZER	16.0			120	1	60	X			DFA	FOR LIGHTS
50.1	1	COOLER EVAPORATOR COIL	1.0			208	1	60	X			DFA	FOR LIGHTS & DOOR HEATER
50.2	1	COOLER CONDENSER (REMOTE - VERIFY LOCATION)	11.4		1.0	208	1	60	X				AT UNIT
50.3	1	FREEZER EVAPORATOR COIL	10.8			208	1	60	X			DFA	
50.4	1	FREEZER CONDENSER (REMOTE - VERIFY LOCATION)	15.1		2.0	208	1	60	X				AT UNIT
50.5	1	HEAT TAPE FOR EVAP. DRAIN LINE (BY E.C.)	9.0			120	1	60	X		5-20P	102	WATERPROOF OUTLET
54.1	1	EXHAUST FAN	16.5		3.0	208	3	60	X				AT UNIT
54.2	1	SUPPLY FAN	3.8		1.0	208	3	60	X				AT UNIT

ELECTRICAL EQUIPMENT SCHEDULE

Item No	Qty	Equipment Category	Amps	KW	HP	Volts	Phase	Cycle	Direct	Plug	NEMA	Electrical AFF (in)	Elec Remarks
54.4	1	CONTROL PANEL (REMOTE - WALL MTD.) (MTD. HIGH)	16.0			120	1	60	X			DFA	FOR LIGHTS
56	1	SANDWICH/SALAD PREP REFRIGERATOR (60")	4.4		0.33	115	1	60	X		5-15P	24	
57	1	SANDWICH/SALAD PREP REFRIGERATOR (48")	4.4		0.33	115	1	60	X		5-15P	24	
58	1	SOFT SERVE MACHINE	26.0			208	1	60	X			50	30 AMP BREAKER REQ'D
60	1	AIR CURTAIN, HEATED, DRIVE-THRU	15.7	1.7		120	1	60	X		5-20P	102	
60.1	1	AIR CURTAIN, UNHEATED, BACK DOOR	3.4	0.3	0.2	120	1	60	X			102	
60.2	1	AIR CURTAIN, UNHEATED, DRIVE-THRU DOOR	3.4	0.3	0.2	120	1	60	X			102	
62	2	MICROWAVE OVEN	13.4			120	1	60	X		5-15P	66	TWO PLACES
63	1	COUNTERTOP INDUCTION RANGE	15.0	1.8		120	1	60	X		5-15P	50	
85	1	U.C. REFRIGERATOR W/GLASS DOOR (20"W)	2.43		0.17	120	1	60	X		5-15P	24	
86	1	REACH-IN TWO SECTION REFRIGERATOR (52"W)	2.8		0.33	120	1	60	X		5-15P	88	



14603 W 112th Street
Lenexa, KS 66215
P 866.445.4999
trimarkusa.com

This document contains confidential information, is an instrument of a professional service, and the property of TriMark. It shall not be used on other projects or for the extension of this project without TriMark's written approval.

Owner and all Contractors to check and verify existing dimensions and conditions in the field before starting construction and to notify TriMark of any material or detail changes.

REVISIONS

DATE	NO.	DESCRIPTION	MADE BY

SLIM CHICKENS

NW CORNER OF CULEBRA RD. & TALLEY RD.
SAN ANTONIO, TX 78254
STORE 15702
(B1-NP-L PROTO)

FOODSERVICE EQUIPMENT

PROJECT NUMBER: 2022255
DATE: 02/22/2023
SCALE:
DRAWN BY: KEC APPROVED BY: JB

ELECTRICAL REQUIREMENTS PLAN

SHEET NUMBER: **K-2**

This document contains confidential information, is an instrument of a professional service, and the property of TriMark. It shall not be used on other projects or for the extension of this project without TriMark's written approval.

Owner and all Contractors to check and verify existing dimensions and conditions in the field before starting construction and to notify TriMark of any material or detail changes.

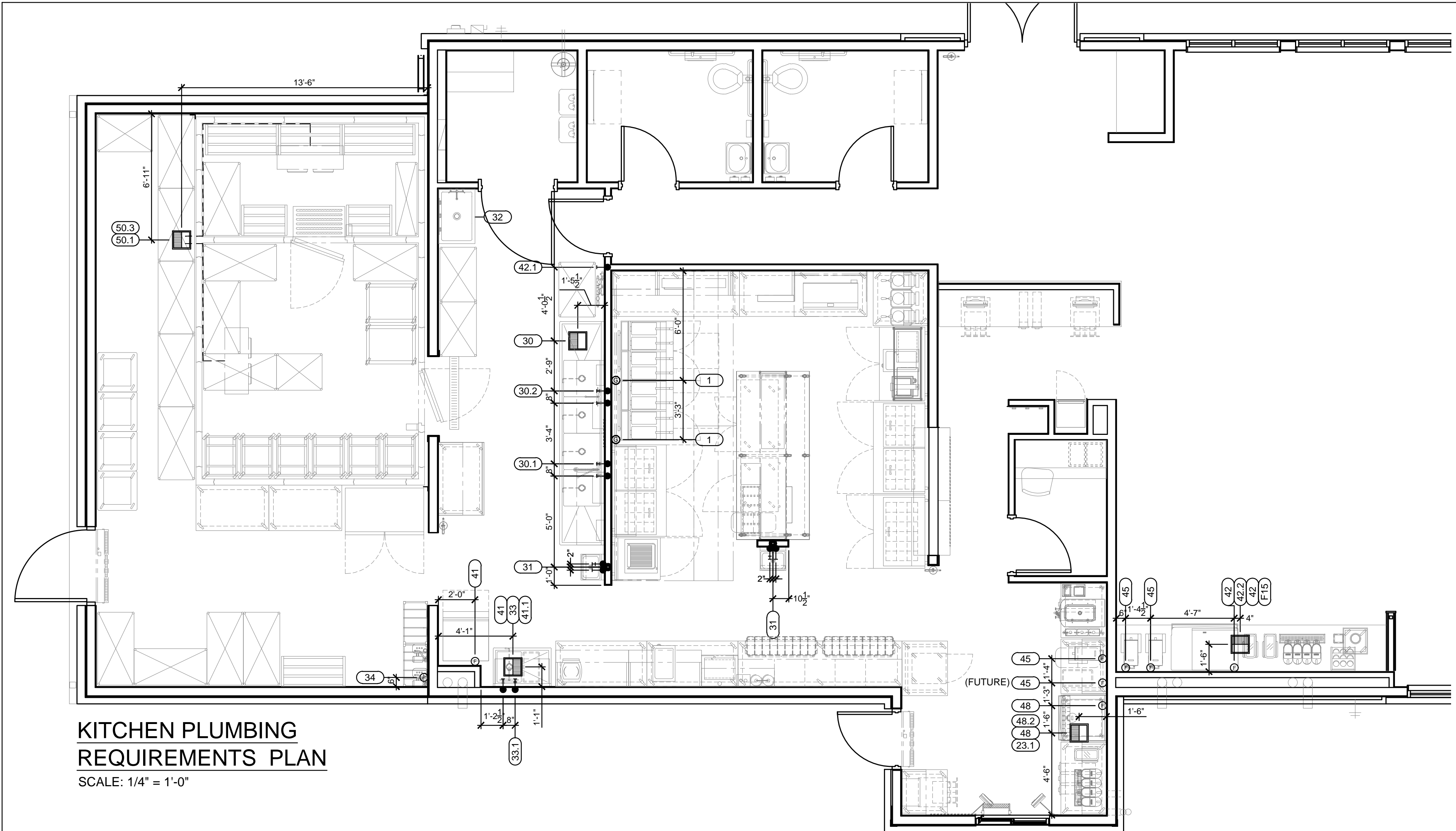
REVISIONS

DATE	NO.	DESCRIPTION	MADE BY

- PLUMBING NOTES**
- THESE DRAWINGS ARE TO BE USED AS AN INSTRUMENT OF REFERENCE BY ALL OTHER TRADES AND CONTRACTORS. ALL TRADES SHALL VERIFY THE INFORMATION AS INDICATED ON THESE PLANS.
 - DIMENSIONS AND REQUIREMENTS FOR ALL EQUIPMENT THAT IS LISTED AS EXISTING, PROVIDED BY OTHERS OR PROVIDED BY OWNER, MUST BE VERIFIED WITH THE APPROPRIATE PARTIES.
 - ALL LOCAL, STATE AND NATIONAL CODES SHALL APPLY.
 - THESE UTILITY REQUIREMENT DRAWINGS INDICATE THE UTILITY AND LOCATION OF REQUIREMENTS BASED ON THE EQUIPMENT SPECIFIED.
 - ALL EQUIPMENT SHALL BE PLUMBED IN STRICT CONFORMANCE WITH THE MANUFACTURER'S INSTRUCTIONS AND/OR SHOP DRAWINGS.
 - UNLESS OTHERWISE NOTED, ALL DIMENSIONS SHOWN ON THIS PLAN ARE FROM THE FINISHED FLOOR, CEILING, WALLS OR COLUMN CENTERLINES TO THE CENTERLINE OF THE ROUGH-INS.
 - ALL PLUMBING CONNECTIONS SHALL BE EXTENDED AND INTERCONNECTED TO CONNECTION POINTS ON THE EQUIPMENT BY OTHERS. UNLESS SPECIFIED, ALL HARDWARE REQUIRED FOR THESE CONNECTIONS SHALL BE SUPPLIED BY THE PLUMBING CONTRACTOR.
 - SURFACE MOUNTED PIPING WILL NOT BE ALLOWED. ALL PIPING SHALL BE EXTENDED THROUGH AND OUT OF BUILDING WALLS WHERE POSSIBLE. WHERE SURFACE MOUNTED PLUMBING IS UNAVOIDABLE, IT MUST BE COORDINATED WITH HOCKENBERGS.
 - ROUGH-INS OUT OF FLOOR SHOULD BE STUBBED UP 4" ABOVE FINISHED FLOOR AND BROUGHT TO THE REQUIRED HEIGHT AFTER EQUIPMENT IS SET IN PLACE.
 - ONLY COMPONENTS SUPPLIED STANDARD BY THE MANUFACTURER ARE INCLUDED. ALL HARDWARE REQUIRED FOR CONNECTIONS SHALL BE SUPPLIED BY THE PLUMBING CONTRACTOR. SUCH COMPONENTS INCLUDE BUT ARE NOT LIMITED TO, SHUT-OFFS, PRESSURE REGULATORS, VACUUM BREAKERS, P-TRAPS, BACKFLOW PREVENTERS, ETC.
 - PLUMBING CONTRACTOR TO VERIFY THAT ALL APPLIANCES ARE SUPPLIED WITH APPROPRIATE GAS PRESSURE AND THAT ANY VARIANCES IN GAS PRESSURE BE CLEARLY IDENTIFIED AND BROUGHT TO THE IMMEDIATE ATTENTION OF HOCKENBERGS.
 - ALL INDIRECT WASTE AND CONDENSATE DRAIN LINES SHALL BE EXTENDED FROM EQUIPMENT FITTINGS TO APPROPRIATE DRAINS AS CODES REQUIRE, BY OTHERS.
 - UNLESS OTHERWISE SPECIFIED, HOT WATER SUPPLIED TO BOOSTER HEATER SHALL BE A MINIMUM TEMPERATURE OF 140 F.
 - PLUMBING CONTRACTOR TO VERIFY WATER TEMPERATURE REQUIREMENTS FOR EACH PIECE OF EQUIPMENT. ANY DISCREPANCY BETWEEN MANUFACTURER'S REQUIREMENTS AND TEMPERATURES PROVIDED SHALL BE CLEARLY IDENTIFIED AND BROUGHT TO THE IMMEDIATE ATTENTION OF HOCKENBERGS.
 - PLUMBING CONTRACTOR TO PROVIDE INSULATED HOT WATER CONNECTIONS BETWEEN BOOSTER HEATER AND DISHWASHER.
 - UNLESS OTHERWISE SPECIFIED BY CODE, ALL DRAIN LINES FOR DISPOSERS SHALL BY-PASS GREASE INTERCEPTORS.
 - NO GENERAL PURPOSE FLOOR DRAINS ARE SHOWN ON THESE PLANS. THE SPECIFICATION OF THOSE DRAINS, AS WELL AS THE DESIGN FOR REQUIRED SLOPES IN THE FLOOR TO THOSE DRAINS, SHALL BE THE RESPONSIBILITY OF THE ARCHITECT AND/OR ENGINEERS.

PLUMBING SYMBOLS

ITEM NUMBER	PLUMBING ROUGH-IN NOTE
1	COLD WATER CONNECTION
2	HOT WATER CONNECTION
3	HOT WATER CONNECTION - 140° MINIMUM
4	FLOOR SINK
5	FLOOR SINK-HALF COVER
6	FLOOR DRAIN
7	FUNNEL FLOOR DRAIN
8	FILTERED COLD WATER
9	INDIRECT DRAIN
10	DIRECT DRAIN
11	GAS



KITCHEN PLUMBING REQUIREMENTS PLAN
SCALE: 1/4" = 1'-0"

PLUMBING EQUIPMENT SCHEDULE

Item No	Qty	Equipment Category	Cold Water Size (in)	Cold Water AFF (in)	Hot Water Size (in)	Hot Water AFF (in)	Filtered Water Size (in)	Filtered Water AFF (in)	Direct Drain Size (in)	Direct Drain AFF (in)	Indirect Drain Size (in)	Gas Size (in)	MBTUH (K)	Gas AFF (in)	Plumbing Remarks
1	2	DEEP FAT TWO FRY BATTERY W/FILTER, GAS										1	210.0	30	TWO PLACES/8'-10" W.C. REQ'D
23.1	1	BEVERAGE TABLE W/DRIP TROUGH (48"W x 30"D)													1 TO FLOOR SINK
30	1	FOUR COMPARTMENT SINK													(4X)1.5 TO FLOOR SINK
30.1	1	PRE-RINSE UNIT W/FAUCET (BY G.C.)	0.5	12	0.5	12									
30.2	1	FAUCET (BY G.C.)	0.5	12	0.5	12									
31	2	HAND SINK (WRIST HANDLE FAUCET) W/SIDE SPLASHES	0.5	12	0.5	12			1.5	14					TWO PLACES
32	1	MOP SINK (BY G.C.)	0.5	36	0.5	36			3	0					VERIFY UTILITIES
33	1	ONE COMPARTMENT SINK													1.5 TO FLOOR SINK
33.1	1	FAUCET (BY G.C.)	0.5	12	0.5	12									
34	1	BAG-N-BOX/CARBONATOR (BY VENDOR)					0.5	84							VERIFY UTILITIES
41	1	ICE MACHINE (BOH) (1500LB. CAPACITY)					0.5	75							0.75 TO FLOOR SINK
41.1	1	ICE BIN (600LB. CAPACITY)													0.75 TO FLOOR SINK
42	1	ICE MACHINE (DINING ROOM) (1500LB. CAPACITY)					0.5	99							0.75 TO FLOOR SINK
42.1	1	WATER FILTER SYSTEM	0.75	102											SEE NOTE BELOW
42.2	1	COUNTERTOP SODA DISPENSER (12-VALVE) (BY VENDOR)													0.5 TO FLOOR SINK
45	4	TEA BREWER (BY VENDOR)					0.5	50							FOUR PLACES/(1) FUTURE
48	1	ICE MACHINE (DRIVE-THRU) (1500LB. CAPACITY)					0.5	96							0.75 TO FLOOR SINK
48.2	1	COUNTERTOP SODA DISPENSER (10-VALVE) (BY VENDOR)													0.5 TO FLOOR SINK
50.1	1	COOLER EVAPORATOR COIL													0.75 TO FLOOR SINK
50.3	1	FREEZER EVAPORATOR COIL													0.75 TO FLOOR SINK
F15	1	BEVERAGE COUNTER W/TRASH CHUTE & DRAIN TROUGH													1 TO FLOOR SINK

NOTE - (1) FILTERED OUTLET FOR ALL ICE MACHINES. (1) FILTERED OUTLET FOR ALL TEA BREWERS AND CARBONATOR AT BIB RACK.

REMOTE COMPRESSORS & CONDENSING UNITS

THESE NOTES APPLY TO MULTI-SYSTEM COMPRESSOR RACKS AS WELL AS INDIVIDUAL COMPRESSORS AND CONDENSORS.

SUFFICIENT AIR CHANGES MUST BE PROVIDED IN THIS AREA TO ALLOW ADEQUATE AIR CIRCULATION FOR WATER COOLED OR AIR COOLED COMPRESSORS.

STRUCTURAL SUPPORT AS WELL AS CURBS, PADS OR REDWOOD RAILS FOR COMPRESSORS, ON ROOF OR INSIDE STRUCTURE, TO BE PROVIDED BY OTHERS.

SEE MANUFACTURER'S SHOP DRAWINGS FOR DETAILED REQUIREMENTS FOR CLEARANCE ACTUAL SIZES, MECHANICAL, PLUMBING & ELECTRICAL REQUIREMENTS FOR WATER COOLED UNITS. STRICT ADHERENCE TO MANUFACTURER'S REQUIREMENTS FOR MIN./MAX. WATER TEMP AND PRESSURE MUST BE MAINTAINED.

ASHRAE CALCULATIONS AND ANY RESULTING REQUIREMENTS FOR COMPRESSOR AREA, PIPING CHASES AND FREON DETECTION SYSTEMS SHALL BE THE RESPONSIBILITY OF OTHERS.

ALL REFRIGERANT PIPING CHASES AND BUILDING PENETRATIONS SHALL BE THE RESPONSIBILITY OF THE BUILDING TRADES AND TO COMPLY WITH ALL LOCAL CODES. EXACT LINE RUNS OF REFRIGERATION PIPING SHALL BE DETERMINED IN COORDINATION WITH THE REFRIGERATION INSTALLER.

ALL ELECTRICAL DISCONNECTS TO BE PROVIDED BY OTHERS.

PLUMBING NOTE: VERIFY ALL DETAILS WITH MANUFACTURER'S LATEST SHOP DRAWINGS.

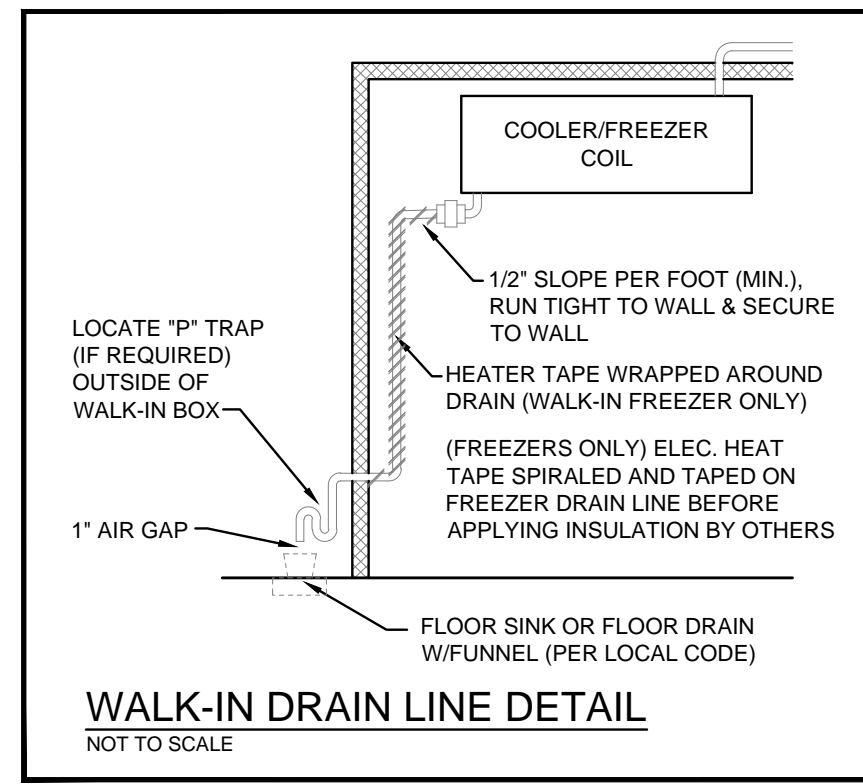
ROOFTOP EXHAUST FANS & MAKE-UP AIR UNITS

THESE ROOF TOP ITEMS ARE TO BE LOCATED BY THE ARCHITECT & ENGINEERS IN CONJUNCTION WITH THE EXHAUST HOOD MANUFACTURER'S SHOP DRAWING. REFER TO ARCHITECTURAL/ENGINEERING DRAWINGS FOR EXACT LOCATIONS.

REFER TO THE LATEST APPROVED MANUFACTURER'S SHOP DRAWINGS FOR COMPLETE INFORMATION AND DETAILS REGARDING ALL ASPECTS OF FANS & MAKE UP AIR UNITS, INCLUDING ACTUAL SIZES, REQUIRED CLEARANCE, ETC.

ALL PENETRATIONS THRU ROOF OR BUILDING STRUCTURE, INCLUDING WALLS, FLOORS, JOISTS OR OTHER STRUCTURAL MEMBERS, IS TO BE BY OTHERS.

ALL ELECTRICAL DISCONNECTS TO BE PROVIDED BY OTHERS.



SLIM CHICKENS

NW CORNER OF CULEBRA RD. & TALLEY RD.
SAN ANTONIO, TX 78254
STORE 15702
(B1-NP-L PROTO)

FOODSERVICE EQUIPMENT

PROJECT NUMBER: 2022255

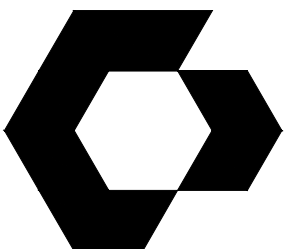
DATE: 02/22/2023

SCALE:

DRAWN BY: KEC APPROVED BY: JB

SHEET TITLE: **PLUMBING REQUIREMENTS PLAN**

SHEET NUMBER: **K-3**



CYNTERGY
810 S CINCINNATI AVE, STE 200
TULSA, OK 74119
918.877.6000

CYNTERGY ENGINEERING, PLLC
LICENSE # F-2220
EXPIRES 11/30/23



MICHAEL OBERMARK
ENGINEER OF RECORD

DOCUMENTS WITHOUT
SIGNATURE AND REQUIRED SEAL
OF AOR / EOR ARE NOT FOR
CONSTRUCTION.

SLIM CHICKENS
SAN ANTONIO, TX

THIS DRAWING WAS PREPARED SOLELY AND EXCLUSIVELY FOR EXECUTION OF THE PROJECT IDENTIFIED WITHIN THESE DOCUMENTS. CONTEMPORANEOUSLY WITH ITS ISSUE DATE THIS DRAWING MAY NOT BE USED ON OTHER PROJECTS OR FOR ADDITIONS TO THE PROJECT OUTSIDE THE SCOPE OF WORK WITHOUT WRITTEN CONSENT OF THE OWNER, ARCHITECT, AND THE ARCHITECT'S CONSULTANTS. THE ARCHITECT AND THE ARCHITECT'S CONSULTANTS ARE THE AUTHORS AND OWNERS OF THEIR RESPECTIVE DRAWINGS AND SPECIFICATIONS, AND RETAIN ALL COMMON LAW, STATUTORY, AND OTHER RIGHTS, INCLUDING COPYRIGHTS.

ISSUES / REVISIONS

NO.	DATE	DESCRIPTION

ISSUE DATE: 02/07/2023
PROTO CYCLE: Q2 2022
PROTO SIZE: B1L
CHECKED BY: WTL
DRAWN BY: MSB

SHEET NAME

MECHANICAL
PLAN

SHEET NUMBER

M1.0

MECHANICAL NOTES

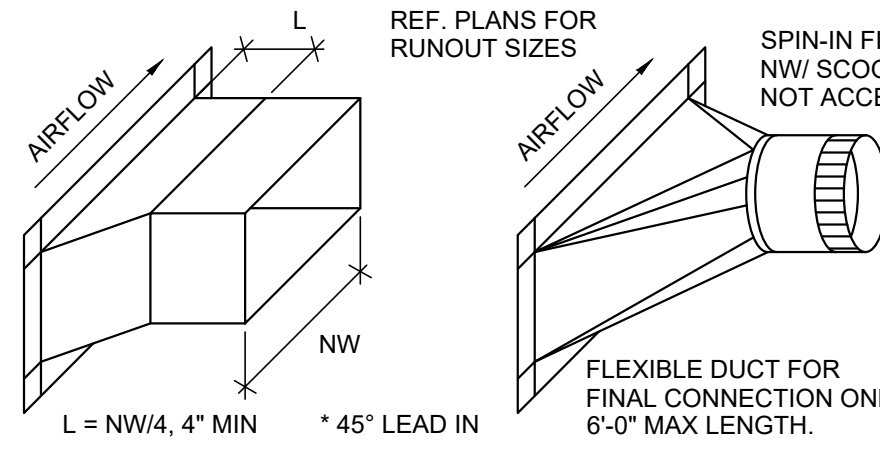
- CONTRACTOR SHALL BE RESPONSIBLE FOR ALL CORING AND BEAM PENETRATIONS AS IT RELATES TO HIS WORK.
- CONTRACTOR SHALL NOT INSTALL ANY MAINTENANCE ITEMS ABOVE HARD CEILINGS. THIS SHALL INCLUDE VALVES, DAMPERS, OR ANY OTHER ITEMS THAT REQUIRE ACCESS AFTER CONSTRUCTION IS COMPLETED. IF INSTALLATION ABOVE A HARD CEILING OF THESE ITEMS CANNOT BE AVOIDED, THEN PROVIDE CEILING ACCESS DOORS EQUAL TO ACUDOR MODEL FW-505 WHERE REQUIRED. AT FIRE-RATED WALLS, USE EQUIVALENT OF ACUDOR MODEL FB-5060. MINIMUM SIZE SHALL BE 12"x12". USE 18"x18" WHEN PERSONNEL ACCESS IS REQUIRED.
- FOR CENTRAL FIRE ALARM SYSTEM, MECHANICAL CONTRACTOR SHALL INSTALL DUCT MOUNTED SMOKE DETECTORS PROVIDED BY FIRE ALARM CONTRACTOR. REFER TO ELECTRICAL NOTES FOR EXACT REQUIREMENTS. MECHANICAL CONTRACTOR SHALL IDENTIFY A SET OF TERMINALS FOR EQUIPMENT SHUTDOWN ON ALL FAN POWERED EQUIPMENT REQUIRING SHUTDOWN CONTROLS. FIRE ALARM CONTRACTOR SHALL WIRE FROM DUCT MOUNTED SMOKE DETECTOR TO SHUTDOWN TERMINALS TO SHUT DOWN FAN OPERATION WHEN SMOKE IS DETECTED.
- AT PENETRATIONS THROUGH FIRE WALLS: ANY PVC PIPE OR DUCT SHOULD BE EXTERNALLY SLEEVED WITH STEEL, FERROUS, OR COPPER MATERIALS, SECURELY FASTENED TO THE FIRE RATED ASSEMBLY, AND ANY SPACE BETWEEN THE SLEEVE AND THE ASSEMBLY PENETRATED SHALL BE PROTECTED USING MATERIAL THAT CONFORMS TO ASTM E 814 OR UL 1479, SUCH AS FIRE STOP FS-1900, OR FLAME STOPPER 5000.
- WHERE CONDUIT, CABLES, DUCTWORK OR PIPING PASSES THROUGH FIRE-RATED FLOORS OR WALLS, THE SLEEVES SHALL BE COMPLETELY SEALED WITH A FIRE STOP MATERIAL THAT IS UL LISTED AND ACCEPTED BY LOCAL AUTHORITIES HAVING JURISDICTION (AHJ) AS BEING SUITABLE FOR THIS SERVICE SUCH AS DOWN CORNING CORP "SILICONE ELASTOMER, RTV FOAM, OR SIMILAR MATERIAL TO MAINTAIN FIRE RATING OF THE WALL OR FLOOR.

MECHANICAL NOTES

- SUBMISSION OF PROPOSAL IN CONNECTION WITH THIS WORK SHALL IMPLY THAT THE BIDDER HAS EXAMINED THE JOB SITE UNDER WHICH HE WILL BE OBLIGATED TO OPERATE SHOULD HE BE AWARDED THE WORK UNDER THIS CONTRACT. NO EXTRA CHARGE WILL BE ALLOWED FOR FAILURE OF ANY BIDDER TO EXAMINE THE SITE PRIOR TO BID.
- ALL RECTANGULAR DUCT SIZES SHOWN ARE THE NET FREE AREA. DUCT ALLOWANCES NEED TO BE CONSIDERED FOR THE INSULATION LINER WHERE APPLICABLE IN THE RECTANGULAR DUCTS. AT DUAL WALL DUCTS, THE DIMENSION SHOWN IS THE INSIDE METAL DUCT SIZE AND ALLOWANCES NEED TO BE CONSIDERED FOR THE INSULATION THICKNESS.
- ALL WORK SHALL CONFORM TO STATE AND LOCAL CODES, RULES, REGULATIONS, AND ORDINANCES WHICH SHALL TAKE PRECEDENCE OVER THE PLANS IF CONFLICTS EXIST BETWEEN THEM.
- THE DRAWINGS INDICATE THE GENERAL LAYOUT REQUIREMENTS FOR EQUIPMENT, FIXTURES, PIPING, DUCTWORK, ETC. FINAL LAYOUT SHALL BE MODIFIED TO FIT ACTUAL SITE CONDITIONS.
- COORDINATE ALL WORK WITH THE OWNER AND ALL OTHER CONTRACTORS. CONTRACTOR SHALL BE RESPONSIBLE FOR ALL RIGGING, HANDLING, AND PROTECTION OF MATERIALS. PROVIDE LABOR TO RECEIVE UNLOAD, STORE, PROTECT, AND TRANSFER TO POINT OF INSTALLATION OF ANY OWNER-FURNISHED ITEMS.
- INSTALL TURNING VANES IN ALL RECTANGULAR 90 DEGREE BENDS.
- USE 45 DEGREE TAKE-OFF FITTINGS AT ALL ROUND SUPPLY BRANCH TAKEOFFS. PROVIDE BALANCE DAMPERS AT ALL SUPPLY DUCT RUNOUTS TO GRILLES. LOCATE AS FAR AS POSSIBLE FROM GRILLES IN AN ACCESSIBLE LOCATION. PROVIDE ACCESS PANELS IN SOLID WALLS AND CEILINGS FOR BALANCING DAMPERS.
- USE RIGID DUCT FOR FINAL CONNECTION TO ALL CEILING DIFFUSERS, & SIDEWALL DIFFUSERS WHEN POSSIBLE, AND WHERE NECESSARY LIMIT FLEX DUCT TO 6' MAX. LENGTHS.
- PROVIDE A COMPLETE AND OPERATING MECHANICAL SYSTEM, INCLUDING ALL INCIDENTAL ITEMS AND CONNECTIONS NECESSARY FOR PROPER OPERATION OR CUSTOMARILY INCLUDED, EVEN THOUGH EACH AND EVERY ITEM MAY NOT BE INDICATED.
- THE MECHANICAL INSTALLATION SHALL BE SAFE, RELIABLE, ENERGY EFFICIENT AND EASILY MAINTAINED WITH ADEQUATE PROVISIONS ALLOWED FOR ACCESS TO EQUIPMENT.
- THE MECHANICAL SYSTEM SHALL OPERATE QUIETLY WITH NOISE LEVELS BELOW THE CRITERIA RECOMMENDED FOR THE APPLICATION BY ASHRAE. PROVIDE CORRECTIVE ACTION AS REQUIRED TO REDUCE OBJECTIONABLE NOISE OR VIBRATION.
- REFER TO ARCH. PLANS AND DETAILS FOR EXACT LOCATION OF ALL WALL AND CEILING MOUNTED DEVICES. ADJUST LOCATION OF SIDEWALL DEVICES AS NECESSARY TO AVOID INTERFERENCE WITH MOLDING OR OTHER ELECTRICAL DEVICES.

KEYNOTES - MECHANICAL

- 15.100 INSTALL SD1 AT 30 DEG ANGLE. TYP OF 10.
- 15.101 DOUBLE WALL SPIRAL DUCTWORK EXPOSED IN DINING AREA. PROVIDE WITH PAINT GRADE DUCTWORK. REFER TO ARCH SHEETS FOR FINISH.
- 15.103 PROVIDE RETURN AIR GRILLE MOUNTED AS HIGH AS POSSIBLE UNDER TRUSS.
- 15.105 4" EXHAUST AND 4" COMBUSTION AIR VENT FOR WH. PROVIDE CONCENTRIC VENT KIT 12" ABOVE FINISHED ROOF.
- 15.106 ROUTE 12" MAKE-UP AIR DUCT DOWN WITH DAMPER FROM MAKE-UP AIR SUPPLY TRUNK TO KITCHEN HOOD PERFORATED SUPPLY PLenum. BALANCE TO 345 CFM (TYP OF 8).
- 15.107 10" EXHAUST DUCT UP TO ROOF CAP WITH 1/2" BIRD SCREEN AND BACKDRAFT DAMPER. INSTALL PER MANUFACTURERS REQUIREMENTS.
- 15.201 ROUTE 8" ROUNDS TO AC-PSP ON HOOD. BALANCE TO 135 CFM (TYP 8) REFER TO HOOD DRAWINGS FOR MORE INFORMATION
- 15.202 PROVIDE ADP BOWDEN MODEL 'BCDR' REMOTE CABLE CONTROL DAMPER OPERATOR AT CD4. ROUTE CABLE FROM CONTROLLER IN DIFFUSER TO DAMPER. TYPICAL OF 2.



2 BRANCH DUCT FITTING
SCALE: NTS

3 DIFFUSER CONNECTION DETAIL
SCALE: NTS

VENTILATION SEQUENCE OF OPERATIONS:
CO2 BASED DEMAND CONTROL VENTILATION SEQUENCE (DENSELY OCCUPIED SPACES):
THE CO2 BASED DEMAND CONTROL VENTILATION SEQUENCE IS TO BE USED FOR RTU2

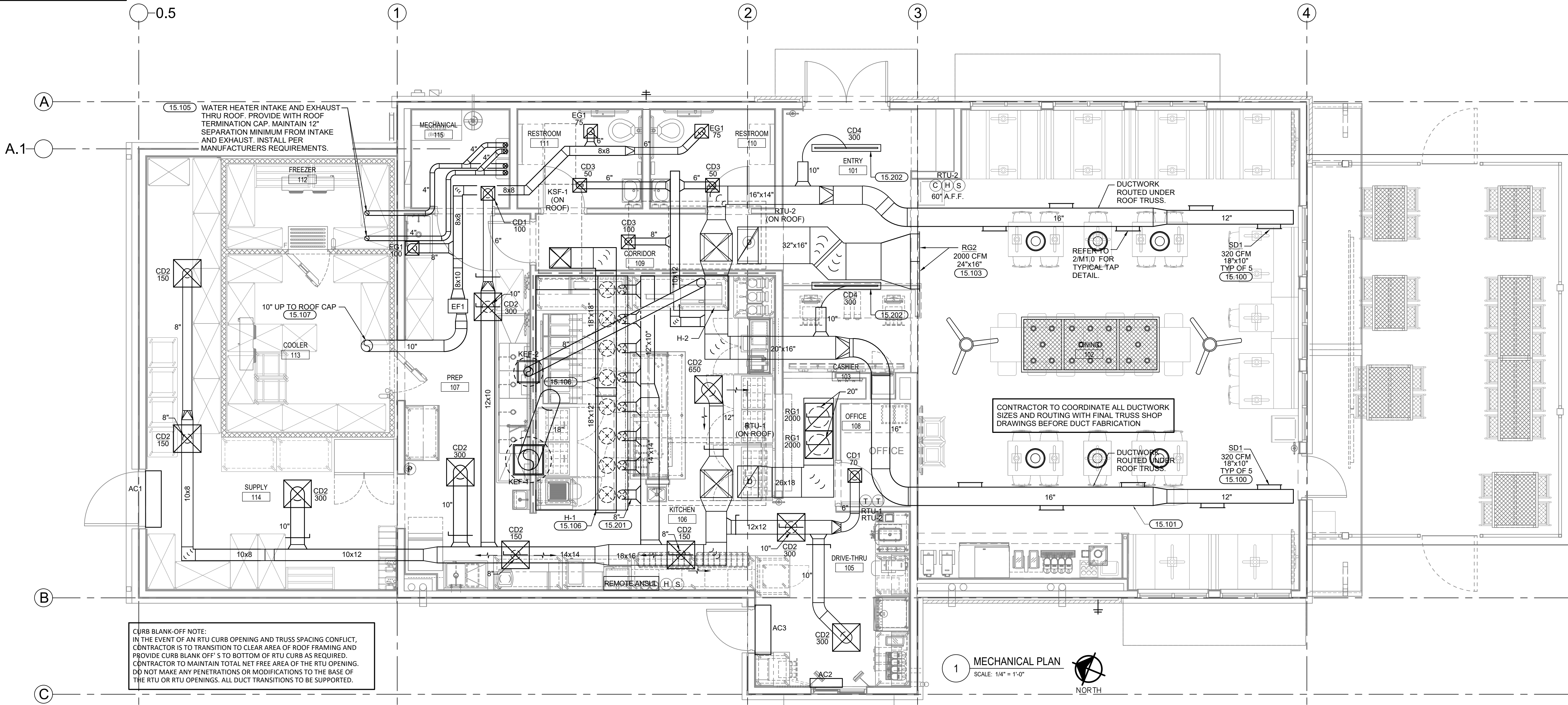
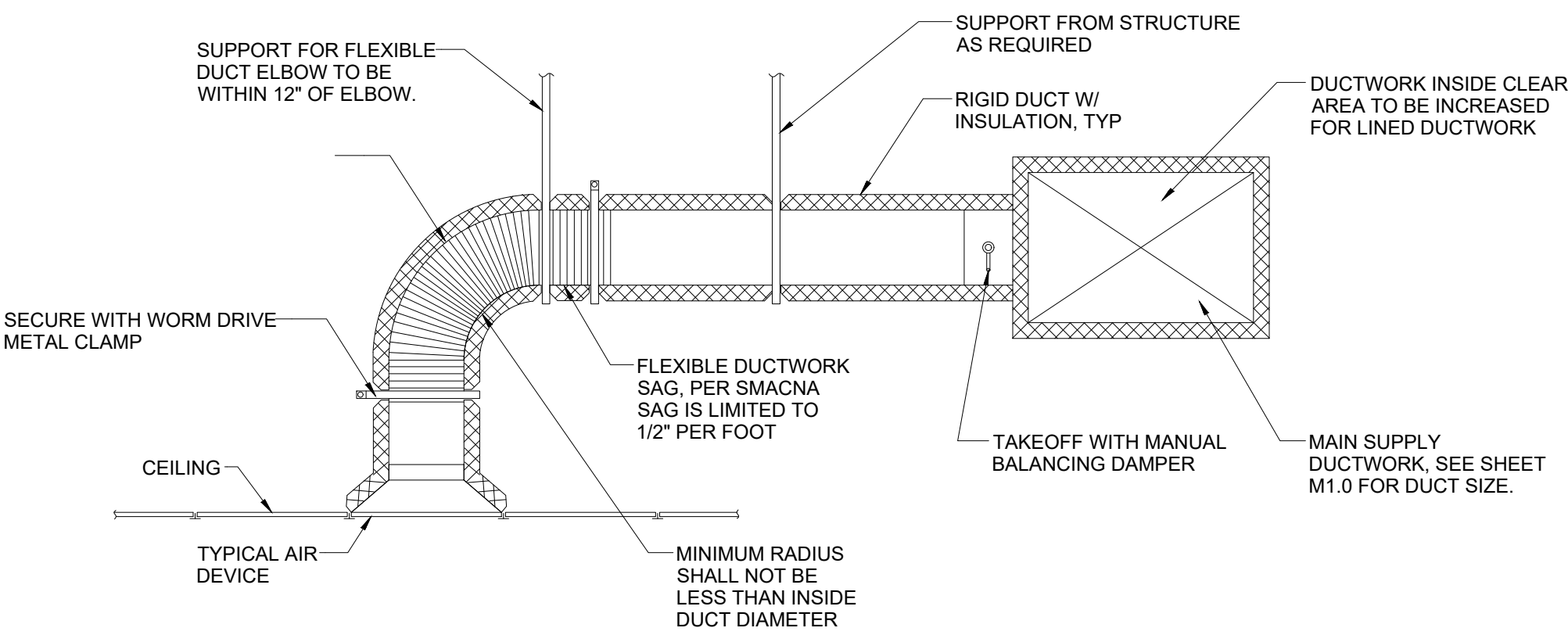
DURING OCCUPIED HOURS (AS SET BY PROGRAMMABLE THERMOSTAT), O/A DAMPER SHALL REMAIN OPENED TO THE MINIMUM POSITION REQUIRED TO MAINTAIN THE MINIMUM VENTILATION AIRFLOW AS SPECIFIED ON THE RTU SCHEDULE, AS LONG AS THE CO2 SENSOR INDICATES CO2 LEVELS LESS THAN OR EQUAL TO 1100 PPM.

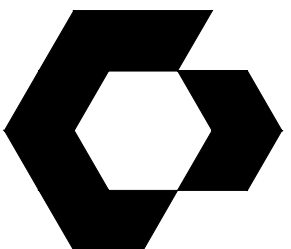
IF DURING OCCUPIED HOURS THE CO2 LEVEL CLIMBS ABOVE 1100 PPM, O/A DAMPER SHALL OPEN FURTHER AND MODULATE FROM MINIMUM POSITION AS NECESSARY UNTIL SUCH TIME AS THE CO2 SENSOR INDICATES THAT LEVELS HAVE AGAIN RETURNED TO 1100 PPM OR LESS, OR UPON ENTERING INTO UNOCCUPIED SCHEDULE AS SET BY THE PROGRAMMABLE THERMOSTAT.

REFER TO HOOD PACKAGE DRAWINGS FOR ADDITIONAL DETAILS RELATED TO KITCHEN VENTILATION SYSTEM.

DO NOT INSTALL RETURN GRILLES OR 4-WAY DIFFUSERS WITHIN 10'-0" OF H-1 KITCHEN HOOD. PROVIDE DIRECTIONAL THROW DIFFUSERS AS NECESSARY

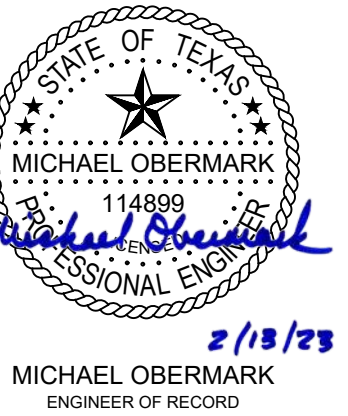
MECHANICAL SYMBOLS	
	RECTANGULAR DUCT 18" WIDE BY 12" DEEP (INSIDE CLEAR DIMENSIONS)
	12" DIAMETER ROUND DUCT (INSIDE CLEAR DIMENSIONS)
	SUPPLY DUCT IN SECTION
	RETURN OR EXHAUST DUCT IN SECTION
	ELBOW WITH TURNING VANES
	TEE WITH TURNING VANES
	ROUND (OR OVAL) ELBOW
	SUPPLY AIR DIFFUSER WITH ROUND SUPPLY DUCT
	RETURN AIR DIFFUSER WITH ROUND DUCT
	EXHAUST AIR DIFFUSER WITH ROUND DUCT
	DIFFUSER OR GRILLE TYPE & CFM
	THERMOSTAT
	CO2 SENSOR
	HUMIDISTAT
	TEMPERATURE SENSOR
	SMOKE DETECTOR
	HOOD PULL STATION
	MANUAL BALANCE DAMPER
	MOTORIZED DAMPER



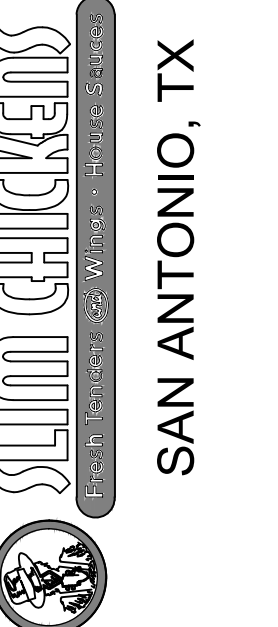


CYNTERGY
810 S CINCINNATI AVE, STE 200
TULSA, OK 74119
918.877.6000

CYNTERGY ENGINEERING, PLLC
LICENSE # F-2220
EXPIRES 11/30/23



DOCUMENTS WITHOUT
SIGNATURE AND REQUIRED SEAL
OF AOR / EOR ARE NOT FOR
CONSTRUCTION.



THIS DRAWING WAS PREPARED SOLELY AND EXCLUSIVELY FOR EXECUTION OF THE PROJECT IDENTIFIED WITHIN THESE DOCUMENTS. CONTEMPORANEOUSLY WITH ITS ISSUE DATE THIS DRAWING MAY NOT BE USED ON OTHER PROJECTS OR FOR ADDITIONS TO THE PROJECT OUTSIDE THE SCOPE OF WORK WITHOUT WRITTEN CONSENT OF THE OWNER, ARCHITECT, AND THE ARCHITECT'S CONSULTANTS. THE ARCHITECT AND THE ARCHITECT'S CONSULTANTS ARE THE AUTHORS AND OWNERS OF THEIR RESPECTIVE DRAWINGS AND SPECIFICATIONS, AND RETAIN ALL COMMON LAW, STATUTORY, AND OTHER RIGHTS, INCLUDING COPYRIGHTS.

ISSUES / REVISIONS

NO.	DATE	DESCRIPTION

ISSUE DATE: 02/07/2023
PROTO CYCLE: Q2 2022
PROTO SIZE: B1L
CHECKED BY: WTL
DRAWN BY: MSB

SHEET NAME

MECHANICAL
SCHEDULES

SHEET NUMBER

M2.0

ROOFTOP UNIT SCHEDULE
(SLIM CHICKENS NATIONAL ACCOUNT: HAILY JONES - haily.jones@hjcinc.com)

MARK	MANUFACTURER	MODEL	NOMINAL TONS	SUPPLY FAN			COOLING CAPACITY (MBH)		EAT DB/WB LAT DB/WB (F)	IEER/EEER	HEATING INPUT (MBh)	HEATING OUTPUT (MBh)	ELECTRICAL DATA			WEIGHT (LB)
				CFM	E S.P. (IN WC)	OSA (CFM)	TOTAL	SENSIBLE					V/PH	MCA	MOC/P	
RTU-1	YORK	ZR150N18R2B	12.5	4,000	1.0"	525	137.7	102.6	78.8/64.3 53.8/53.0	15.2/12.0	180	145	208/3	72.6	90	1,580
RTU-2	YORK	ZR150N18R2B	12.5	4,000	1.0"	775	139.8	103.6	79.6/64.8 53.8/52.2	15.2/12.0	180	145	208/3	72.6	90	1,580

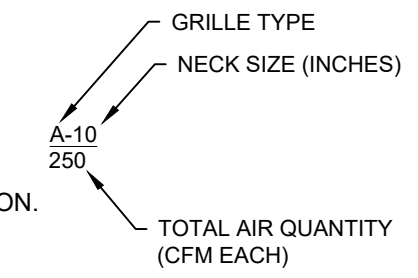
- NOTES (ALL NEW UNITS):
- PROVIDE 2" MERV 8 FILTERS WITH EACH UNIT.
 - SMOKE DETECTORS TO BE PROVIDED AND FACTORY INSTALLED BY MANUFACTURER. MOUNT IN RETURN AIR DUCT. WIRE TO SHUTDOWN UNIT UPON DETECTION. FINAL LOCATION TO BE BY FIRE ALARM CONTRACTOR.
 - CONDENSATE TRAP SHALL BE PROVIDED AND INSTALLED BY CONTRACTOR. PROVIDE TRAP OF ADEQUATE DEPTH TO PREVENT STATIC FROM OVERCOMING TRAP SEAL. ROUTE TO NEAREST APPROVED RECEPTOR PER LOCAL AHJ.
 - PROVIDE WITH STANDARD 7 DAY PROGRAMMABLE THERMOSTAT AND REMOTE SENSOR KIT. THERMOSTAT SHALL HAVE A MINIMUM 5°F DEADBAND. MOUNT SENSORS AT 60" A.F.F.
 - OUTDOOR AMBIENT TEMPERATURE 100°F.
 - PROVIDE WITH 2 STAGE MULTI SPEED SUPPLY FAN.
 - PROVIDE WITH FACTORY STANDARD 14" ROOF CURB.
 - PROVIDE LOW AMBIENT TO 0°F VIA MICROPROCESSOR CONTROL PROGRAMMING FORE BOTH RTUS.
 - PROVIDE WITH FACTORY MANUFACTURED HAIL GUARDS.
 - PROVIDE WITH HUMIDITROL DEHUMIDIFICATION SYSTEM ON BOTH RTUS AND ALL RELATED REQUIRED ACCESSORIES. (ACTIVATE WHEN RH>50% IN BOTH ZONES WHEN WB > 76)
 - INTERLOCK THE RTU SMOKE DETECTOR WITH FIRE ALARM SYSTEM.
 - PROVIDE UNITS WITH 100% OUTDOOR AIR ECONOMIZER, WITH DIFFERENTIAL ENTHALPY CONTROL.
 - PROVIDE WITH MULTI STAGE HEATING.
 - PROVIDE WITH FACTORY MOUNTED DISCONNECT SWITCH AND CONVENIENCE RECEPTACLE.
 - PROVIDE WITH FACTORY SUPPLIED CO2 DETECTION AS REQUIRED PER PLANS.

NOTE: RTUS TO BE INTERLOCKED WITH HOOD OPERATION

AIR DEVICE SCHEDULE

MARK	MANUFACTURER	MODEL	FACE SIZE	NECK SIZE	MATERIAL / FINISH	DESCRIPTION	NOTES
CD1	TITUS	TMS-AA	12X12	REF PLANS	ALUMINUM / WHITE	CEILING DIFFUSER - LOUVERED FACE, ADJUSTABLE	B, H, J
CD2	TITUS	PAS-AA	24X24	REF PLANS	ALUMINUM / WHITE	CEILING DIFFUSER - PERFORATED FACE, ADJUSTABLE	B, G, H, J
CD3	TITUS	PAS-AA	12X12	REF PLANS	ALUMINUM / WHITE	CEILING DIFFUSER - PERFORATED FACE, ADJUSTABLE	A, D, H, J
CD4	TITUS	FT-10	60X4	10"	ALUMINUM / BLACK	LINEAR SLOT FLOWTEE CEILING DIFFUSER - SINGLE 2" SLOT, ADJUSTABLE. 8" INLET.	A, D, E, H
RG1	TITUS	50FF	24X24	REF PLANS	ALUMINUM / WHITE	EGGCRATE RETURN GRILLE - 1/2"x1/2"x1/2", SIGHT-PROOF	B, C, H, K
RG2	TITUS	350RL	28X18	REF PLANS	ALUMINUM / WHITE	SIDEWALL DIFFUSER - 3/4" O.C. BLADE SPACING, BLADES PARALLEL TO LONG DIMENSION	C, D, H, K
SD1	TITUS	272FS	REF PLANS	REF PLANS	ALUMINUM / ARCH PLANS	SIDEWALL SUPPLY DIFFUSER - DOUBLE DEFLECTION 3/4" O.C. BLADE SPACING, FRONT BLADES PARALLEL TO SHORT DIMENSION	A, D
EG1	TITUS	50F	12X12	REF PLANS	ALUMINUM / WHITE	EGGCRATE RETURN GRILLE - 1/2"x1/2"x1/2", SIGHT-PROOF	D, H

- AIR DEVICE ACCESSORIES:
- PROVIDE OBD
 - LAY-IN
 - PROVIDE DUCT CONNECTION BOX.
 - SURFACE MOUNTED.
 - PROVIDE MANUFACTURERS INSULATED PLENUM.
 - PROVIDE BOWDEN CABLE SYSTEM "BCDR" DAMPER OPERATOR.
 - REFER TO PLANS FOR DIRECTIONAL ARROWS INDICATING CFM THROWS FOR PROPER GRILLE SELECTION.
 - NECK SIZE TO BE SAME AS DUCT SIZE UNLESS NOTED OTHERWISE.
 - PROVIDE WITH INSULATED BACK PANEL.
 - HINGED ACCESS.



MAKE-UP AIR FAN SCHEDULE (OWNER SUPPLIED CONTRACTOR INSTALLED)

MARK	MANUFACTURER	FLOW (CFM)	STATIC PRESSURE (IN WC)	GAS INPUT (MBH)	GAS OUTPUT (MBH)	RPM	SONES	HP	VOLTS / PH	FLA	WEIGHT (LBS)
KSF1	CAPTIVEAIRE	2,780	0.375	177	163	1,111	9.1	1.5	208 / 3	4.4	731

MAU NOTES:
A. ROOF MOUNTED.
B. DUCTWORK TO BE PROVIDED AND INSTALLED BY CONTRACTOR.
C. INTERLOCKED WITH KEF-1.

AIR BALANCE SCHEDULE

UNIT	EXHAUST	INTAKE
RTU1	---	525 CFM
RTU2	---	775 CFM
KSF1	---	2,780 CFM
KEF1	3,008 CFM	---
KEF2	500 CFM	---
EF1	250 CFM	---
TOTAL	3,758 CFM	+322 CFM

NOTE: RTUS TO BE INTERLOCKED WITH HOOD OPERATION

VENTILATION CALCULATION

SYSTEM	ROOM NUMBER	ROOM NAME	FLOOR AREA SQ FT (Az)	P / 1000 SQ FT *	PEOPLE (Pz)	CFM/ PERSON (Rp)	CFM (Vp)	CFM/ SQ FT (Ra)	CFM (Va)	TOTAL CFM (Vbz)
RTU-1	105	DRIVE THRU	179	10	2	7.5	15	0.12	21	36
RTU-1	106	KITCHEN	284	10	3	7.5	30	0.12	34	64
RTU-1	107	PREP	461	10	5	7.5	38	0.12	55	93
RTU-1	108	OFFICE	39	5	1	5.0	5	0.06	2	7
RTU-1	114	SUPPLY	381	0	0	0.0	0	0.12	46	46
RTU-2	101	ENTRY/QUEUE	118	50	6	7.5	44	0.06	7	51
RTU-2	102	DINING	972	70	68	7.5	510	0.18	175	685
RTU-2	103	CASHIER	55	5	2	5.0	10	0.06	3	13
RTU-2	109	CORRIDOR	81	0	0	0.0	0	0.06	5	5
RTU-2	111	RESTROOM	74	0	0	0.0	0	0	0	0
RTU-2	112	RESTROOM	74	0	0	0.0	0	0	0	0
ZONE AIR DISTRIBUTION EFFECTIVENESS (Ez):										0.8
TOTAL ZONE OUTDOOR AIR FLOW (VoZ):										1251

REMARKS:
1. CALCULATIONS BASED ON IMC 2015, TABLE 403.3.
* WHERE P/1000 SQ FT CELLS HAVE A VALUE OF "--", AN OCCUPANCY RATE HAS BEEN ASSIGNED FROM ARCHITECTURAL DRAWINGS.

AIR CURTAIN SCHEDULE (OWNER SUPPLIED CONTRACTOR INSTALLED)

MARK	MANUFACTURER	MODEL	DESCRIPTION	UNIT WIDTH (IN)	MAX VELOCITY (FPM)	AVG. OUTLET VELOCITY (FPM)	AIR VOLUME (CFM)	VOLTS / PH	MOTOR (HP)	AMPS (KW)	OUTLET VELOCITY UNIFORMITY (%)	WEIGHT (LBS)	NOTES
AC1	BERNER	ALC08-1048A	AIR CURTAIN - SINGLE SPEED	49.25	2,800	2,104	1,381	120 / 1	1 @ 1/5	3.4	94	48	A, B, C
AC2	BERNER	DTU03-2026A	AIR CURTAIN - DRIVE THRU UNIT	28.25	2,800	1,045	200	120 / 1	1 @ 1/12 1 @ 1/20	15.0	79	14	D, E
AC3	BERNER	ALC08-1042A	AIR CURTAIN - SINGLE SPEED	43.25	3,000	2,115	1,212	120 / 1	1 @ 1/5	3.4	93	43	A, B, C

AIR CURTAIN ACCESSORIES:
A. PROVIDE WHITE POWDER-COATED CABINET.
B. PROVIDE WALL MOUNTING PLATE.
C. MOUNT AT 7'-3" AFF.
D. MOUNT AT 8'-0" AFF.
E. MOUNT OVER OPERABLE DRIVE THRU WINDOW.

EXHAUST FAN SCHEDULE

MARK	DESCRIPTION	MANUFACTURER	MODEL	DRIVE	FAN AIRFLOW (CFM)	ESP (IN WC)	RPM	VOLTS / PHASE	SONES	CONTROL TYPE	WEIGHT (LBS)	ACCESSORIES
EF1	INLINE EXHAUST FAN	COOK	GN-422	DIRECT	250	0.25	1,500	120 / 1	2.8	OCC SENSOR	50	1, 4
KEF1	KITCHEN EXHAUST FAN - UPBLAST, CENTRIFUGAL ROOF MOUNTED	CAPTIVEAIRE	DU180HFA	DIRECT	3,008	1.75	1,344	208 / 3	19.0	SWITCHED AT HOOD	222	2, 3
KEF2	KITCHEN EXHAUST FAN - UPBLAST, CENTRIFUGAL ROOF MOUNTED	CAPTIVEAIRE	DU33HFA	DIRECT	500	0.850	1,404	115 / 1	13.2	SWITCHED AT HOOD	108	2, 3

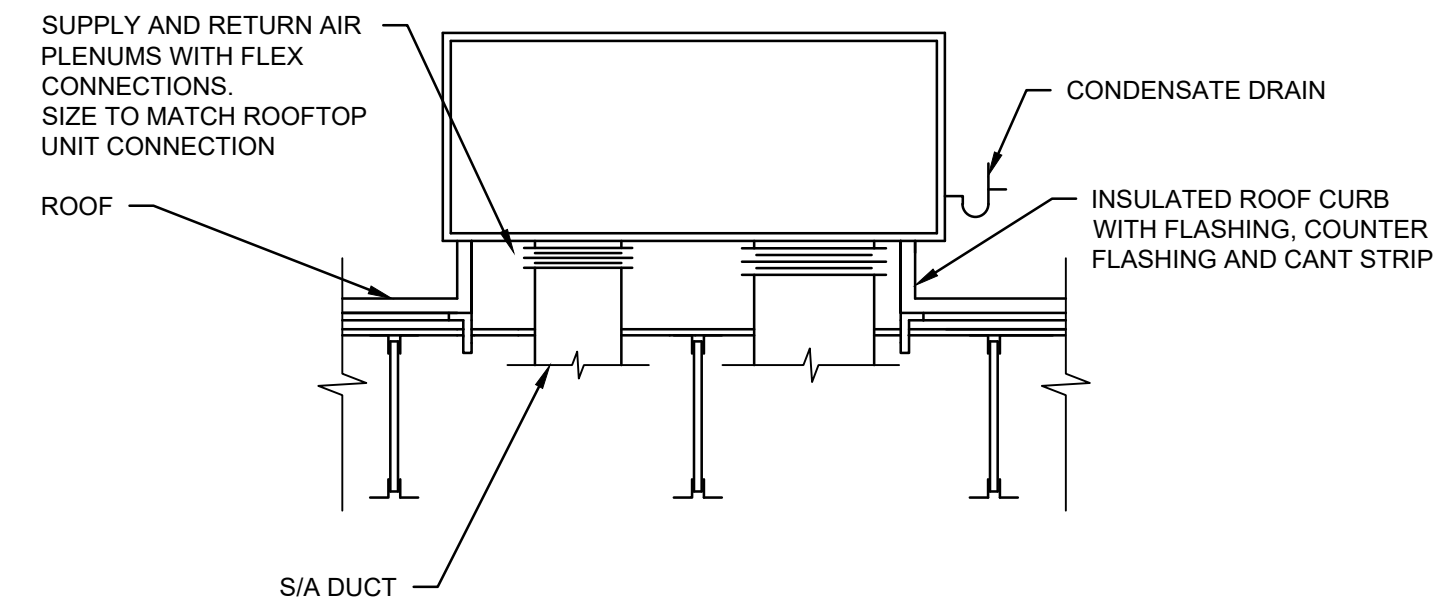
GENERAL REQUIREMENTS (ALL FANS):
A. PROVIDE PRE-WIRED FACTORY MOUNTED INTEGRAL DISCONNECT DEVICE (NEMA 3R FOR EXTERIOR).
B. PROVIDE VARIABLE SPEED CONTROLLER (FACTORY INSTALLED IF AVAILABLE) ON ALL DIRECT DRIVE FANS FOR FAN BALANCING.
C. DUCTWORK TO BE PROVIDED AND INSTALLED BY CONTRACTOR

ACCESSORIES LEGEND:
1. PROVIDE GRAVITY BACKDRAFT DAMPER.
2. PROVIDE GREASE COLLECTION CUP.
3. OWNER SUPPLIED CONTRACTOR INSTALLED
4. CONTRACTOR SUPPLIED AND INSTALLED.

HOOD SCHEDULE (OWNER SUPPLIED CONTRACTOR INSTALLED)

MARK	MANUFACTURER	OVERALL LENGTH	EXHAUST PLENUM		SUPPLY PLENUM		ANSUL LOCATION	UTILITY CABINET ELECTRICAL PACKAGE			HOOD HANGING WEIGHT (LBS)	NOTES
			AIRFLOW (CFM)	DIAMETER	MAKE-UP AIRFLOW (CFM)	MAKE-UP DIAMETER		OPTIONS	CONTROL	VOLTS / PH		
H1	CAPTIVEAIRE	17' - 0"	3,008	18"	2,780	(8) 14"	REMOTE	SMART THERMOSTATIC CONTROL	KEF-1 & KSF-1	208 / 3	1,351	A,B,C,D,E,F,G,H
H2	CAPTIVEAIRE	4' - 0"	500	8"	-	-	-	SMART THERMOSTATIC CONTROL	KEF-2	208 / 3	184	-

NOTES:
A. SHOP WRAPPER 2.00" HIGH - FRONT, LEFT, RIGHT.
B. BACK SPLASH 80" H X 111" L 430 SS.
C. RIGHT QUARTER END PANEL 23" TOP WIDTH, 0" BOTTOM WIDTH 23" HIGH 430 SS.
D. INSULATION FOR TOP OF HOOD.
E. INSULATION FOR BACK OF HOOD.
F. LEFT WIDE VERTICAL END PANEL 42" TOP WIDTH, 0" 36" BOTTOM WIDTH, 80" HIGH INSULATED 430 SS.
G. DUCTWORK TO BE PROVIDED AND INSTALLED BY CONTRACTOR
H. KITCHEN EXHAUST DUCT SHALL BE ENCLOSED IN A 1 HR FIRE RATED SHAF FROM ABOVE THE HOOD TO THE EXTERIOR TO MEET IMC 506.3.11.



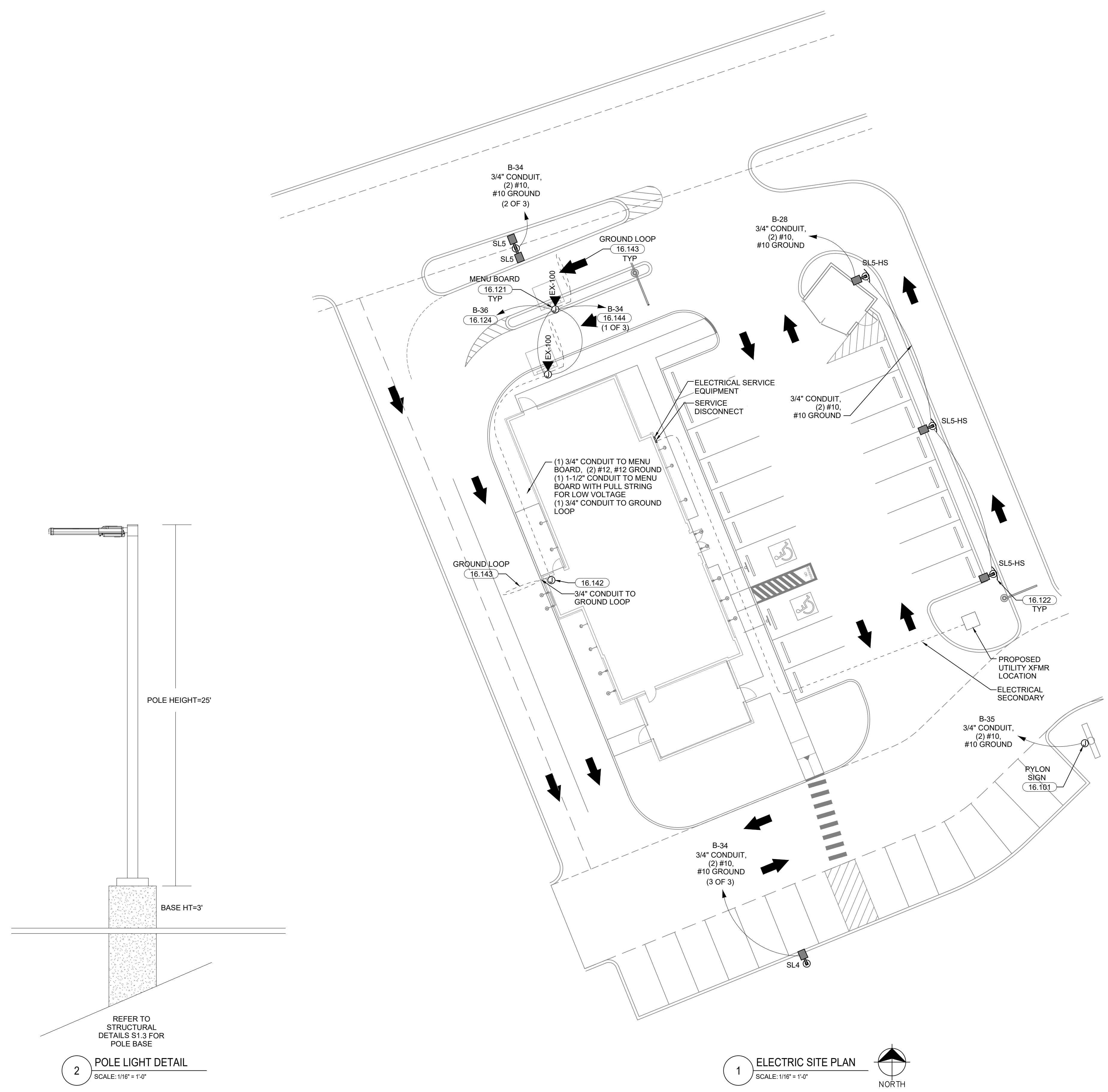
- DETAIL NOTES:
1. WHERE PRACTICAL TO DO SO, ROUTE DUCT AS HIGH AS POSSIBLE BELOW JOISTS.
2. ROOF STRUCTURE IS SLOPED.

1 RTU DETAIL
NOT TO SCALE

SITE LIGHTING FIXTURE SCHEDULE							
TYPE MARK	DESCRIPTION	MANUFACTURER	MODEL	MOUNTING	VOLTAGE	WATTAGE	LAMP TYPE
SL4	POLE MOUNTED LED, POLE TO BE 25' SQUARE STEEL	GRIDLITE	GL3-35H-4WS-740-SA-BZ	POLE	120 V	261 W	LED
SL5	POLE MOUNTED LED, POLE TO BE 25' SQUARE STEEL	GRIDLITE	GL3-35H-T5Q-740-SA-BZ-HS	POLE	120 V	261 W	LED
SL5-HS	POLE MOUNTED LED, POLE TO BE 25' SQUARE STEEL	GRIDLITE	GL3-35H-5QS-740-SA-BZ-HS	POLE	120 V	261 W	LED

- GENERAL NOTES**
1. THE ELECTRICAL CONTRACTOR IS RESPONSIBLE FOR CALLING TO LOCATE THE EXISTING UTILITIES PRIOR TO TRENCHING.
 2. ALL SECONDARY CONDUITS SHALL BE BURIED 2'-0" (MINIMUM) TO TOP OF CONDUIT AND SHALL MEET THE CITY AND UTILITY SPECIFICATIONS FOR BEDDING, BACKFILL AND COMPACTION.
 3. ALL SITE LIGHTING AND SIGNAGE CONDUITS SHALL BE BURIED A MINIMUM OF TWENTY FOUR INCH BELOW FINISHED GRADE TO TOP OF CONDUIT.
 4. PROVIDE MINIMUM OF ONE INCH SPACING BETWEEN ALL POWER CONDUITS AND MINIMUM OF 6 INCHES OF SPACING BETWEEN POWER AND DATA CONDUITS.
 5. ELECTRICAL CONTRACTOR TO COORDINATE ALL INSPECTIONS RELATED TO TRENCHING AND COMPACTION.
 6. ELECTRICAL CONTRACTOR TO COORDINATE LOCATIONS OF TRENCHES WITH OTHER DISCIPLINES TO ENSURE PROPER SEPARATION OF UTILITIES.
 7. ALL CONDUITS FOR SITE LIGHTING, SIGNAGE, AND MENU BOARD SHALL BE INSTALLED IN THE CENTER OF THE CONCRETE FOUNDATION PER THE MANUFACTURER'S CUT SHEETS. COORDINATE ALL LOCATIONS WITH THE GC TO ENSURE NO CONFLICTS EXIST WITH OTHER UTILITIES PRIOR TO INSTALLING THE CONCRETE.
 8. REFERENCE STRUCTURAL DRAWINGS FOR ALL LIGHTING AND SIGNAGE FOUNDATIONS.
 9. LIGHTING ON ELECTRICAL SITE PLAN IS FOR CIRCUITRY AND CONDUIT SPECIFICATIONS ONLY. REFER TO CIVIL PLANS FOR EXACT LIGHT POLE LOCATIONS.

- KEYNOTES**
- | | |
|--------|--|
| 16.101 | EXTERIOR SIGNAGE J-BOX. COORDINATE FINAL LOCATION WITH SIGNAGE CONTRACTOR AND CONSTRUCTION MANAGER. RUN EXTERIOR BUILDING SIGNS THROUGH TIMECLOCK DRIVEN CONTACTOR. PROVIDE NEMA-3R LOCAL MAINTENANCE DISCONNECT. |
| 16.121 | REFERENCE STRUCTURAL SHEET S1.3 FOR MENU BOARD FOUNDATION DETAILS. |
| 16.122 | REFERENCE STRUCTURAL SHEET S1.3 FOR LIGHT POLE FOUNDATION DETAILS, TYP. |
| 16.124 | MENU BOARD POWER. COORDINATE LOCATION AND LOW VOLTAGE REQUIREMENTS WITH THE CONSTRUCTION MANAGER. |
| 16.142 | 3/4" CONDUIT WITH PULL STRING TO BE STUBBED UP INTO DRIVE THRU WALL AND RUN TO JUNCTION BOX ABOVE LAY-IN CEILING. |
| 16.143 | DRIVE THRU SENSORS TO BE LOCATED 2 FEET IN FRONT OF CENTER OF MENU BOARD AND DRIVE THRU WINDOW. COORDINATE THIS REQUIREMENT WITH THE MANUFACTURER'S REQUIREMENTS AND CONSULT WITH CONSTRUCTION MANAGER IN THE EVENT OF A CONFLICT. |
| 16.144 | MENU BOARD CANOPY LIGHTING. CIRCUITRY TO BE TIED INTO AND CONTROLLED WITH SITE LIGHTING CIRCUIT. |

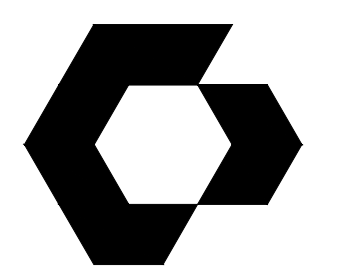


2 POLE LIGHT DETAIL
SCALE: 1/16" = 1'-0"

1 ELECTRIC SITE PLAN
SCALE: 1/16" = 1'-0"



THE CONTRACTOR SHALL DETERMINE THE EXACT LOCATION OF ALL EXISTING UTILITIES BEFORE COMMENCING WORK, AND AGREES TO BE FULLY RESPONSIBLE FOR ANY AND ALL DAMAGES WHICH MIGHT BE OCCASIONED BY THE CONTRACTOR'S FAILURE TO EXACTLY LOCATE AND PRESERVE ANY AND ALL UNDERGROUND UTILITIES.



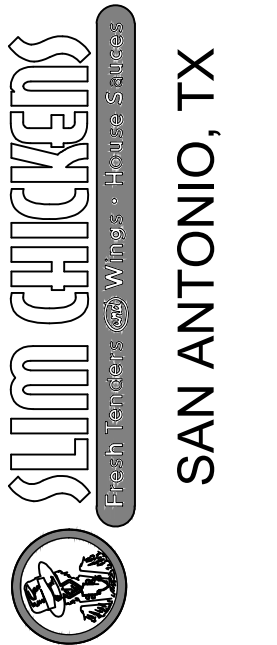
CYNERGY
810 S CINCINNATI AVE, STE 200
TULSA, OK 74119
918.877.6000

CYNERGY ENGINEERING, PLLC
LICENSE # 3537
EXPIRES 06/30/2024



MATTHEW JARED RUTKOWSKI
ENGINEER OF RECORD

DOCUMENTS WITHOUT SIGNATURE AND REQUIRED SEAL OF AOR / EOR ARE NOT FOR CONSTRUCTION.



THIS DRAWING WAS PREPARED SOLELY AND EXCLUSIVELY FOR EXECUTION OF THE PROJECT IDENTIFIED WITHIN THESE DOCUMENTS. CONTEMPORANEOUSLY WITH ITS ISSUE DATE THIS DRAWING MAY NOT BE USED ON OTHER PROJECTS OR FOR ADDITIONS TO THE PROJECT OUTSIDE THE SCOPE OF WORK WITHOUT WRITTEN CONSENT OF THE OWNER, ARCHITECT, AND THE ARCHITECT'S CONSULTANTS. THE ARCHITECT AND THE ARCHITECT'S CONSULTANTS ARE THE AUTHORS AND OWNERS OF THEIR RESPECTIVE DRAWINGS AND SPECIFICATIONS, AND RETAIN ALL COMMON LAW, STATUTORY, AND OTHER RIGHTS, INCLUDING COPYRIGHTS.

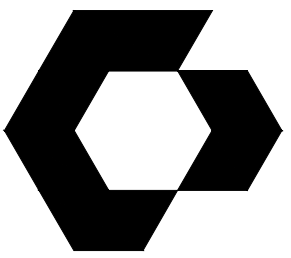
ISSUES / REVISIONS

NO.	DATE	DESCRIPTION

ISSUE DATE: 02/14/2023
PROTO CYCLE: Q2 2022
PROTO SIZE: B1L
CHECKED BY: MJR
DRAWN BY: JRM

SHEET NAME
ELECTRICAL SITE PLAN

SHEET NUMBER
E0.1



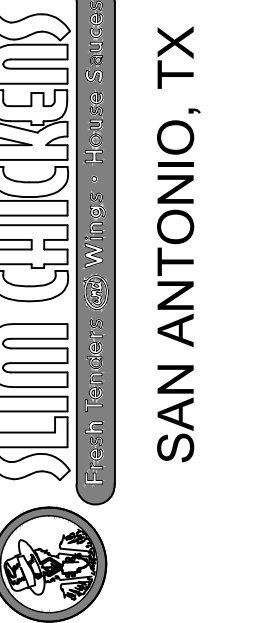
CYNERGY
810 S CINCINNATI AVE, STE 200
TULSA, OK 74119
918.877.6000

CYNERGY ENGINEERING, PLLC
LICENSE # 3537
EXPIRES 06/30/2024



MATTHEW JARED RUTKOWSKI
ENGINEER OF RECORD

DOCUMENTS WITHOUT
SIGNATURE AND REQUIRED SEAL
OF AOR / EOR ARE NOT FOR
CONSTRUCTION.



THIS DRAWING WAS PREPARED SOLELY AND EXCLUSIVELY FOR EXECUTION OF THE PROJECT IDENTIFIED WITHIN THESE DOCUMENTS. CONTEMPORANEOUSLY WITH ITS ISSUE DATE THIS DRAWING MAY NOT BE USED ON OTHER PROJECTS OR FOR ADDITIONS TO THE PROJECT OUTSIDE THE SCOPE OF WORK WITHOUT WRITTEN CONSENT OF THE OWNER, ARCHITECT, AND THE ARCHITECT'S CONSULTANTS. THE ARCHITECT AND THE ARCHITECT'S CONSULTANTS ARE THE AUTHORS AND OWNERS OF THEIR RESPECTIVE DRAWINGS AND SPECIFICATIONS, AND RETAIN ALL COMMON LAW, STATUTORY, AND OTHER RIGHTS, INCLUDING COPYRIGHTS.

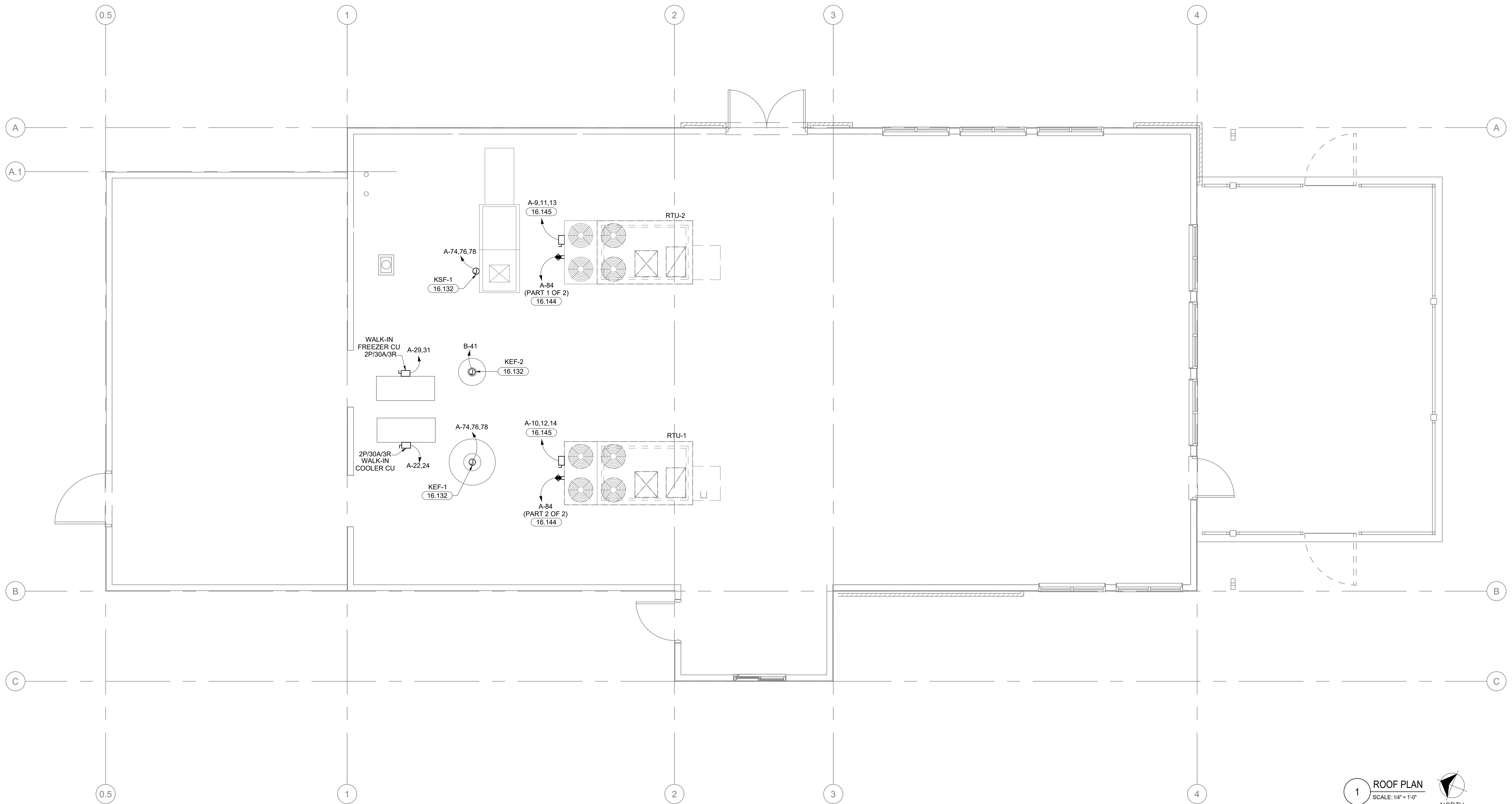
ISSUES / REVISIONS	DATE	BY

ISSUE DATE: 02/14/2023
PROTO CYCLE: Q2 2022
PROTO SIZE: B1L
CHECKED BY: MJR
DRAWN BY: JRM

SHEET NAME
ROOF PLAN

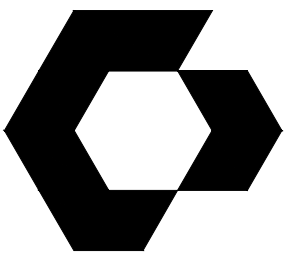
SHEET NUMBER
E1.1

KEYNOTES - POWER	
16.132	E.C. TO SUPPLY POWER TO KSF AND KEF FROM CAPTIVEAIRE CONTROL PANEL. REFER TO CAPTIVEAIRE DRAWINGS FOR SCOPE OF WORK.
16.144	CONNECT CIRCUITRY TO FACTORY INSTALLED MAINTENANCE RECEPTACLE.
16.145	CONNECT CIRCUITRY TO FACTORY INSTALLED DISCONNECT AS INDICATED ON PLANS. CONDUIT AND WIRING TO RTU SHALL BE THROUGH RTU ROOF CURB. NO PENETRATIONS WILL BE ALLOWED AND NO CONDUITS ROUTED ACROSS ROOF.



1 ROOF PLAN
SCALE: 1/4" = 1'-0"
NORTH

Printed: 2/14/2023 3:44:02 PM V:\Slim Chickens\San Antonio, TX\04-CAD\Sheet\1-1-ROOF_PLA.dwg



CYNTERGY
810 S CINCINNATI AVE, STE 200
TULSA, OK 74119
918.877.6000

CYNTERGY ENGINEERING, PLLC
LICENSE # 3537
EXPIRES 06/30/2024



11/2023
MATTHEW JARED RUTKOWSKI
ENGINEER OF RECORD

DOCUMENTS WITHOUT
SIGNATURE AND REQUIRED SEAL
OF AOR / EOR ARE NOT FOR
CONSTRUCTION.

SLIM CHICKENS
SAN ANTONIO, TX

THIS DRAWING WAS PREPARED SOLELY AND EXCLUSIVELY FOR EXECUTION OF THE PROJECT IDENTIFIED WITHIN THESE DOCUMENTS. CONTEMPORANEOUSLY WITH ITS ISSUE DATE THIS DRAWING MAY NOT BE USED ON OTHER PROJECTS OR FOR ADDITIONS TO THE PROJECT OUTSIDE THE SCOPE OF WORK WITHOUT WRITTEN CONSENT OF THE OWNER, ARCHITECT, AND THE ARCHITECT'S CONSULTANTS. THE ARCHITECT AND THE ARCHITECT'S CONSULTANTS ARE THE AUTHORS AND OWNERS OF THEIR RESPECTIVE DRAWINGS AND SPECIFICATIONS, AND RETAIN ALL COMMON LAW, STATUTORY, AND OTHER RIGHTS, INCLUDING COPYRIGHTS.

ISSUES / REVISIONS

NO.	DATE	DESCRIPTION

ISSUE DATE: 02/14/2023
PROTO CYCLE: Q2 2022
PROTO SIZE: B1L
CHECKED BY: MJR
DRAWN BY: JRM

SHEET NAME

ELECTRICAL SCHEDULES

SHEET NUMBER

E1.2

PANEL B (NEW) PANELBOARD SCHEDULE

CKT	DESCRIPTION	LOAD KVA	C.B.	PHASE A KVA	PHASE B KVA	PHASE C KVA	C.B.	LOAD KVA	DESCRIPTION	CKT
1	DRIVE THRU RECEP	0.36	20/1	0.72			20/1	0.36	OFFICE RECEP	2
3	(L) *DIRECTIONAL SIGNAGE	0.54	20/1		1.78		20/1	1.60	MICROWAVE OVEN	4
5	SPARE						20/1	1.08	PHONE BOARD	6
7	LEMONADE MACHINES	1.08	20/1	2.68			20/1	1.60	(L) *BUILDING SIGNAGE	8
9	(G) WORKTOP REFRIG.	0.32	20/1		0.68		20/1	0.36	MENU BOARD TV	10
11	POS FRONT COUNTER	0.36	20/1		0.72		20/1	0.36	MENU BOARD TV	12
13	POS FRONT COUNTER	0.36	20/1	0.72			20/1	0.36	POS FRONT COUNTER	14
15	REACH IN DRINK COOLER	0.21	20/1		1.11		20/1	0.90	DINING ROOM RECEP	16
17	DINING RECEP	1.08	20/1		2.68		20/1	1.60	(L) *BUILDING SIGNAGE	18
19	SPARE			0.24			20/1	0.24	(L) *DINING ROOM LIGHTS P	20
21	DROP SAFE	0.18	20/1		0.58		15/1	0.40	(L) *DINING ROOM TRACK LIGHTS	22
23	(L) *EXTERIOR LIGHTS	0.29	20/1		0.52		20/1	0.22	(L) *EXTERIOR LIGHTS	24
25	(L) *LIGHT STRING	0.60	20/1	1.20			20/1	0.60	(L) *LIGHT STRING	26
27	(L) *DINING ROOM LIGHTS H & C	0.76	20/1		1.28		20/1	0.52	(L) *SITE LIGHTING	28
29	(L) *DINING ROOM FANS	0.23	20/1		0.40		20/1	0.17	(L) *ENTRY/CORRIDOR LIGHTS	30
31	(L) *OFFICE/RESTROOM LIGHTS	0.50	20/1	1.21			20/1	0.71	(L) *BACKROOM LIGHTS	32
33	DINING RECEP	0.54	20/1		1.60		20/1	1.06	(L) *SITE / MENU BOARD CANOPY LTG	34
35	(L) *MONUMENT SIGN	1.00	20/1		2.60		20/1	1.60	(L) DRIVE THRU MENU BOARD	36
37	EF-1	0.70	20/1	2.35			20/2	1.65	(L) DRIVE THRU ICE MAKER	38
39	*DINING ROOM LIGHTS V	0.72	20/1		2.37		20/1	1.65	SPARE	40
41	(L) KEF-2	0.51	15/1		1.51		20/1	1.00	(L) *BUILDING SIGNAGE	42
43	SPARE			1.65			20/2	1.65	DRINKWALL ICE MAKER	44
45	SPARE			1.65			20/1	1.65	DRINKWALL ICE MAKER	46
47	(G) BAG N BOX	1.20	20/1		1.80		20/1	0.60	DRINKWALL SODA MACH.	48
49	SPARE	1.20	20/1	2.17			20/2	0.52	PRODUCT HOLDING UNIT	50
51	(L) HEAT LAMP	1.10	20/2		1.62		20/1	0.52	TEA BREWER	52
53	SPARE	1.10	20/1		2.75		20/1	1.65	TEA BREWER	54
55	(G) 2-SECTION CLR	0.33	20/1	1.53			20/1	1.20	HOT FOOD WELL	56
57	TEA BREWER	1.65	20/1		1.65		20/1	1.65	SPARE	58
59	SPARE			0.00		0.00	20/1	0.00	SPARE	60
61	SPARE			0.00		0.00	20/1	0.00	SPARE	62
63	SPARE			0.00		0.00	20/1	0.00	SPARE	64
65	SPARE			0.00		0.00	20/1	0.00	SPARE	66
67	SPARE			0.00		0.00	20/1	0.00	SPARE	68
69	SPARE			0.00		0.00	20/1	0.00	SPARE	70
71	SPARE			0.00		0.00	20/1	0.00	SPARE	72
73	SPARE			0.00		0.00	20/1	0.00	SPARE	74
75	SPARE			0.00		0.00	20/1	0.00	SPARE	76
77	SPARE			0.00		0.00	20/1	0.00	SPARE	78
79	SURGE PROTECTION		30/3	0.00		0.00	20/1	0.00	SPARE	80
81	SPARE			0.00		0.00	20/1	0.00	SPARE	82
83	SPARE			0.00		0.00	20/1	0.00	SPARE	84

CONNECTED KVA LOAD PER PHASE: 14.47 14.73 14.62

CONNECTED AMPERE LOAD PER PHASE: 120.6 122.8 121.8

VOLTAGE: 120/208, 3 PH, 4 W
AMPERE: 200 AMP MCB
AIC: 22,000
MOUNTING: RECESSED
FEEDER: REFER TO ONE-LINE DIAGRAM

PANEL A (NEW) PANELBOARD SCHEDULE

CKT	DESCRIPTION	LOAD KVA	C.B.	PHASE A KVA	PHASE B KVA	PHASE C KVA	C.B.	LOAD KVA	DESCRIPTION	CKT
1	OFFICE RECEP	0.36	20/1	0.72			20/1	0.36	OFFICE RECEP	2
3	OFFICE RECEP	0.18	20/1		1.78		20/1	1.60	MICROWAVE OVEN	4
5	OFFICE RECEP	0.18	20/1			1.26	20/1	1.08	PHONE BOARD	6
7	GAS WATER HEATER CONTROLS	0.18	20/1	1.04			20/1	0.86	(RED) FIRE ALARM PANEL	8
9	RTU-1	8.70	90/3		17.40		90/3	8.70	RTU-2	10
11	RTU-1	8.70			17.40		8.70			12
13	U.C. REFRIGERATOR	0.29	20/1		0.55		20/1	0.26	(G) WORKTOP REFRIG.	14
15	TIMECLOCK/CONTACTOR COIL	0.30	20/1			1.42	20/2	1.12	FREEZER EVAPORATOR	16
17	COOLER EVAPORATOR	0.10	15/2	1.22			20/2	1.38	WALK-IN COOLER CU	20
21	(L) BACK DOOR AIR CURTAIN - AC1	0.10	20/1		1.48		20/2	1.38	WALK-IN COOLER CU	22
25	(L) DRIVE THRU AIR CURTAIN - AC2	1.88	20/1	2.42			20/1	0.54	PREP AREA RECEP	26
27	(L) DRIVE THRU AIR CURTAIN - AC3	0.34	20/1		1.38		20/1	1.04	(L) AIR COMPRESSOR	28
29	WALK-IN FREEZER CU	1.38	20/2			2.83	20/1	1.45	(L) GREASE RECYCLER	30
31	SPARE	1.38	20/1	3.30			20/1	1.92	(+) HEAT TAPE	32
33	SPARE			0.52			20/1	0.52	(G) BREADER REFRIGERATOR	34
35	(+L) CLR/FRZR DR HEATERS	1.80	20/1			1.80	20/1	1.80	SPARE	36
37	SPARE			0.18			20/1	0.18	(G) KITCHEN MENU SCREEN	38
39	ICE TEA BREWER	1.65	20/1		3.25		20/1	1.60	MICROWAVE OVEN	40
41	FINISHER	0.98	20/1			1.76	20/1	0.78	SPARE	42
43	(G) KITCHEN MENU SCREEN	0.36	20/1	0.83			20/2	0.47	(L,R) WARMING STATION	44
45	(L) GRIDDLE HOOD	0.60	20/1		1.07		20/2	0.47		46
47	(L,R) GRIDDLE	2.02	30/2			2.54	20/1	0.52	(G) PREP REFRIG.	48
49	SPARE	2.02	20/1	3.22			20/1	1.20	(T) WAFFLE IRON	50
51	SPARE			1.20			20/1	1.20	(T) WAFFLE IRON	52
53	SPARE				1.20		20/1	1.20	(T) WAFFLE IRON	54
55	(G) TORTILLA PRESS	1.06	20/1	1.21			20/1	0.15	(G) REFRIGERATED RAIL	56
57	FUTURE ICE TEA BREWER	1.65	20/1		2.17		20/1	0.52	(G) PREP REFRIG.	58
59	(G) TO GO POS / MONITORS	0.54	20/1			1.08	20/1	0.54	(G) Q-TIMER	60
61	(G) TO GO RECEP	0.18	20/1	2.10			20/1	1.92	(G) DRIVE THRU SODA	62
63	KITCHEN RECP	0.54	20/1		0.72		20/1	0.18	HOT FOOD WELL	64
65	INDUCTION RANGE	1.80	20/1			2.17	20/1	0.37	(G) UNDER COUNTER FREEZER	66
67	KITCHEN RECP	0.18	20/1	0.72			20/1	0.54	(G) KITCHEN MENU SCREEN	68
69	(G,R) FRYER CONTROLS	0.48	20/1		2.28		20/1	1.80	(G,R) PANINI GRILL	70
71	(G,R) FRYER FILTER	0.81	20/1			0.81	20/1	1.66	SPARE	72
73	(L) VENT HOOD CONTROL PANEL	1.92	20/1	3.58			20/3	1.66	(L) KEF-1 & KSF-1	74
75	(G) WORKTOP REFRIG	0.32	20/1		1.98		20/1	1.66		76
77	(G) KITCHEN MENU SCREEN	0.54	20/1			2.20	20/1	1.66		78
79	(L) ICE CREAM MACHINE	1.20	30/2	1.38			20/1	0.18	IRRIGATION CONTROLLER	80
81	SPARE	1.20	20/1		2.10		20/1	0.90	ENTRY/OUTSIDE RECEP	82
83	SPARE					0.36	20/1	0.36	RTU RECEP	84

CONNECTED KVA LOAD PER PHASE: 39.32 37.88 38.55

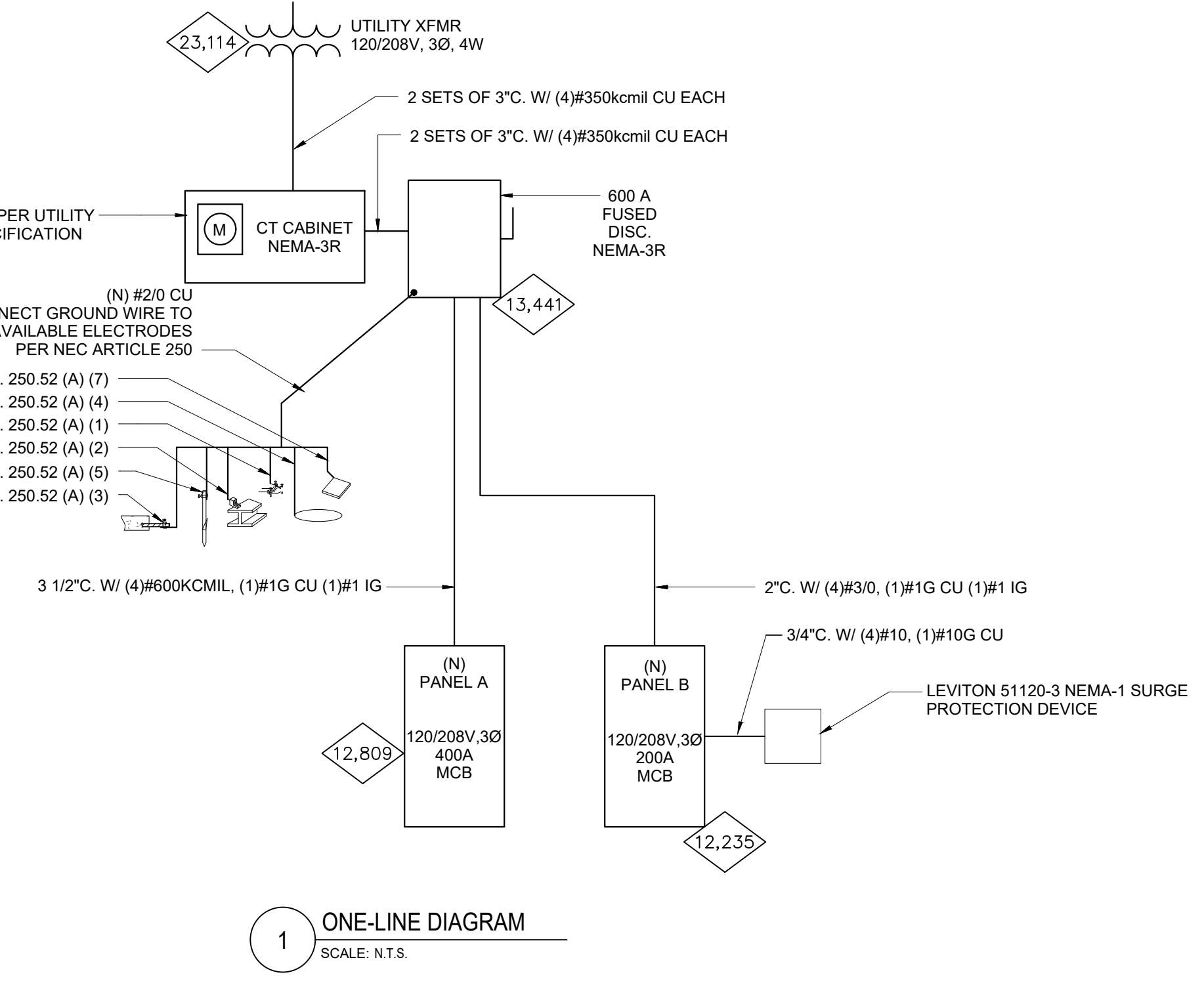
CONNECTED AMPERE LOAD PER PHASE: 327.7 315.7 321.3

VOLTAGE: 120/208, 3 PH, 4 W
AMPERE: 400 AMP MCB
AIC: 22,000
MOUNTING: RECESSED
FEEDER: REFER TO ONE-LINE DIAGRAM

NOTES: PROVIDE IG BUS

LOAD CALCULATIONS

DESCRIPTION	D.F.	DEMAND
EXTERIOR LIGHTING	10.64	13.29
INTERIOR LIGHTING	3.50	4.38
KITCHEN	48.73	31.67
HVAC	52.20	52.20
MISC. CONTINUOUS	4.58	5.73
MISC. NON-CONTINUOUS	2.11	2.11
MOTOR	13.75	13.75
LARGEST MOTOR (OR HVAC)	26.10	6.53
RECEPTACLE	10.00	10.00
RECEPT OVER 10 KVA	9.46	4.73
REFRIGERATION	2.96	2.96
TOTALS:	157.92 KVA	147.34 KVA
	438.34 AMPS	408.98 AMPS

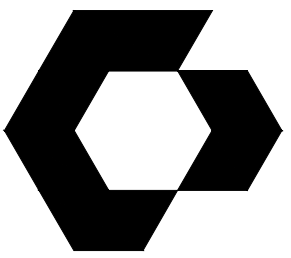


SYMBOL LEGEND

- NOT ALL SYMBOLS ARE USED
- (E) INDICATES EXISTING
 - (*) INDICATES CIRCUIT ON LIGHTING CONTACTOR
 - (L) INDICATES LOCKING DEVICE
 - (G) INDICATES GFCI BREAKER
 - (+) INDICATES 30mA TRIP GFEP BREAKER
 - (T) INDICATES CIRCUIT BREAKER HANDLE TIE FOR CIRCUITS SHARING NEUTRALS
 - (R) ROUTE CIRCUIT FOR EQUIPMENT THROUGH CONTACTOR INTERLOCKED WITH EXHAUST HOOD REF 3E1.3
 - (RED) FIRE ALARM PANEL CIRCUIT BREAKER TO BE MARKED RED IN COLOR
- BREAKER
 FUSE
 SWITCH
 CURRENT TRANSFORMER (CT)
- ONE-LINE NOTES:
- CLEARLY LABEL MAIN ELECTRICAL SERVICE DISCONNECT(S) PER NEC.
 - PROVIDE ARC FLASH LABELING AS REQUIRED PER NEC 110.16
 - CAPACITY OF ALL CONDUCTOR SIZES SHOWN IS BASED ON 75°C RATED TERMINATIONS AND COPPER CONDUCTORS WITH 75°C TYPE INSULATION. CONTRACTOR SHALL FIELD VERIFY TERMINATION RATINGS OF ELECTRICAL EQUIPMENT AND ADJUST CONDUCTOR SIZES AS REQUIRED PER NEC 110.14(C)
 - G.C. TO PROVIDE AND INSTALL UTILITY METER AND NEW ELECTRICAL SERVICE ENTRANCE. COORDINATE EXACT REQUIREMENTS WITH POWER UTILITY PRIOR TO COMMENCEMENT OF WORK.
- EC TO PROVIDE A PERMANENT PLACARD AT MAIN INDICATING AVAILABLE FAULT CURRENT WITH DATE PER NEC 110.24(A)
- CALCULATIONS ARE BASED ON A 150KVA TRANSFORMER WITH 1.8% IMPEDANCE
- REPRESENTS THE AVAILABLE FAULT CURRENT IN RMS SYMMETRICAL AMPS AT THE RESPECTIVE TRANSFORMER, PANELBOARD, OR EQUIPMENT.

BRANCH CIRCUIT SCHEDULE

CIRCUIT BREAKER	1 POLE/1 PHASE	1 POLE/1 PHASE WITH IG	2 POLE/1 PHASE	3 POLE/3 PHASE OR 2 POLE/1 PHASE WITH NEUTRAL	SEE NOTE C 3 POLE/3 PHASE WITH NEUTRAL
20 AMP	2#12, 1#12G, 1/2" C	2#12, 1#12G, 1#12IG, 1/2" C	2#12, 1#12G, 1/2" C	3#12, 1#12G, 1/2" C	4#12, 1#12G, 1/2" C
25 AMP	2#10, 1#10G, 1/2" C	2#10, 1#10G, 1#10IG, 1/2" C	2#10		



CYNERGY
810 S CINCINNATI AVE, STE 200
TULSA, OK 74119
918.877.6000

CYNERGY ENGINEERING, PLLC
LICENSE # 3537
EXPIRES 06/30/2024



MATTHEW JARED RUTKOWSKI
ENGINEER OF RECORD

DOCUMENTS WITHOUT
SIGNATURE AND REQUIRED SEAL
OF AOR / EOR ARE NOT FOR
CONSTRUCTION.

SLIM CHICKENS
SAN ANTONIO, TX

THIS DRAWING WAS PREPARED SOLELY AND EXCLUSIVELY FOR EXECUTION OF THE PROJECT IDENTIFIED WITHIN THESE DOCUMENTS. CONTEMPORANEOUSLY WITH ITS ISSUE DATE THIS DRAWING MAY NOT BE USED ON OTHER PROJECTS OR FOR ADDITIONS TO THE PROJECT OUTSIDE THE SCOPE OF WORK WITHOUT WRITTEN CONSENT OF THE OWNER, ARCHITECT, AND THE ARCHITECT'S CONSULTANTS. THE ARCHITECT AND THE ARCHITECT'S CONSULTANTS ARE THE AUTHORS AND OWNERS OF THEIR RESPECTIVE DRAWINGS AND SPECIFICATIONS, AND RETAIN ALL COMMON LAW, STATUTORY, AND OTHER RIGHTS, INCLUDING COPYRIGHTS.

ISSUES / REVISIONS

NO.	DATE	DESCRIPTION

ISSUE DATE: 02/14/2023
PROTO CYCLE: Q2 2022
PROTO SIZE: B1L
CHECKED BY: MJR
DRAWN BY: JRM

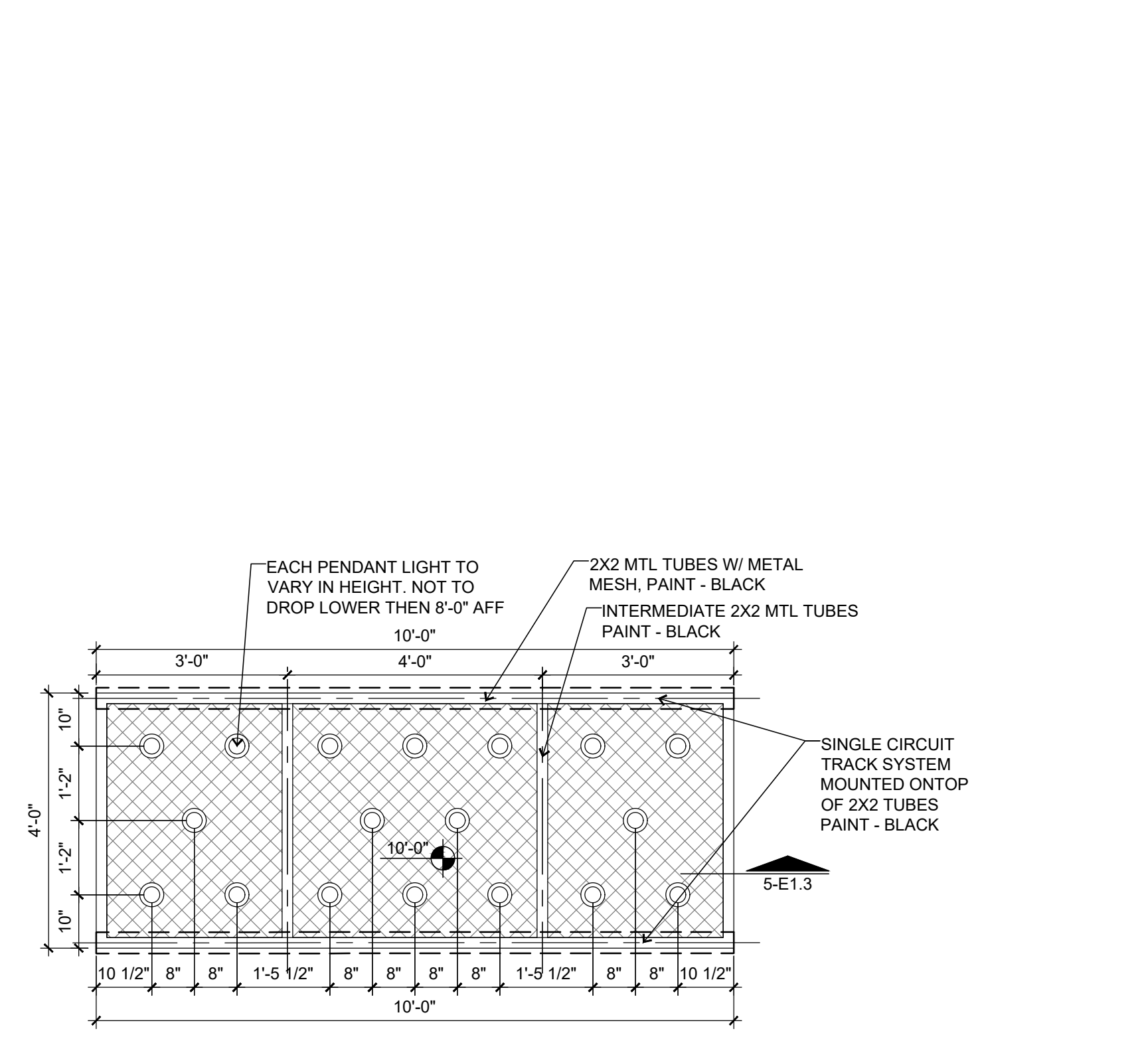
SHEET NAME

**ELECTRICAL
DETAILS**

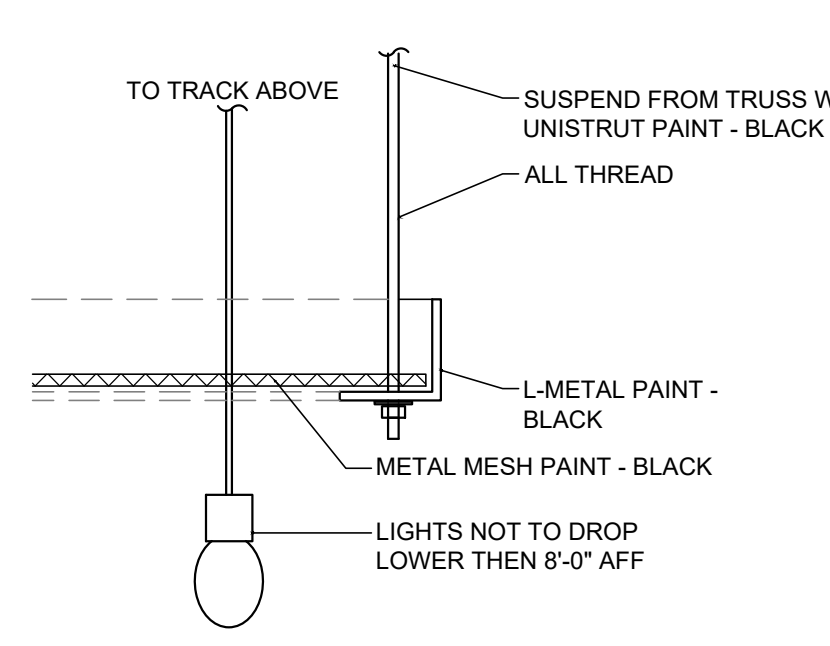
SHEET NUMBER

E1.3

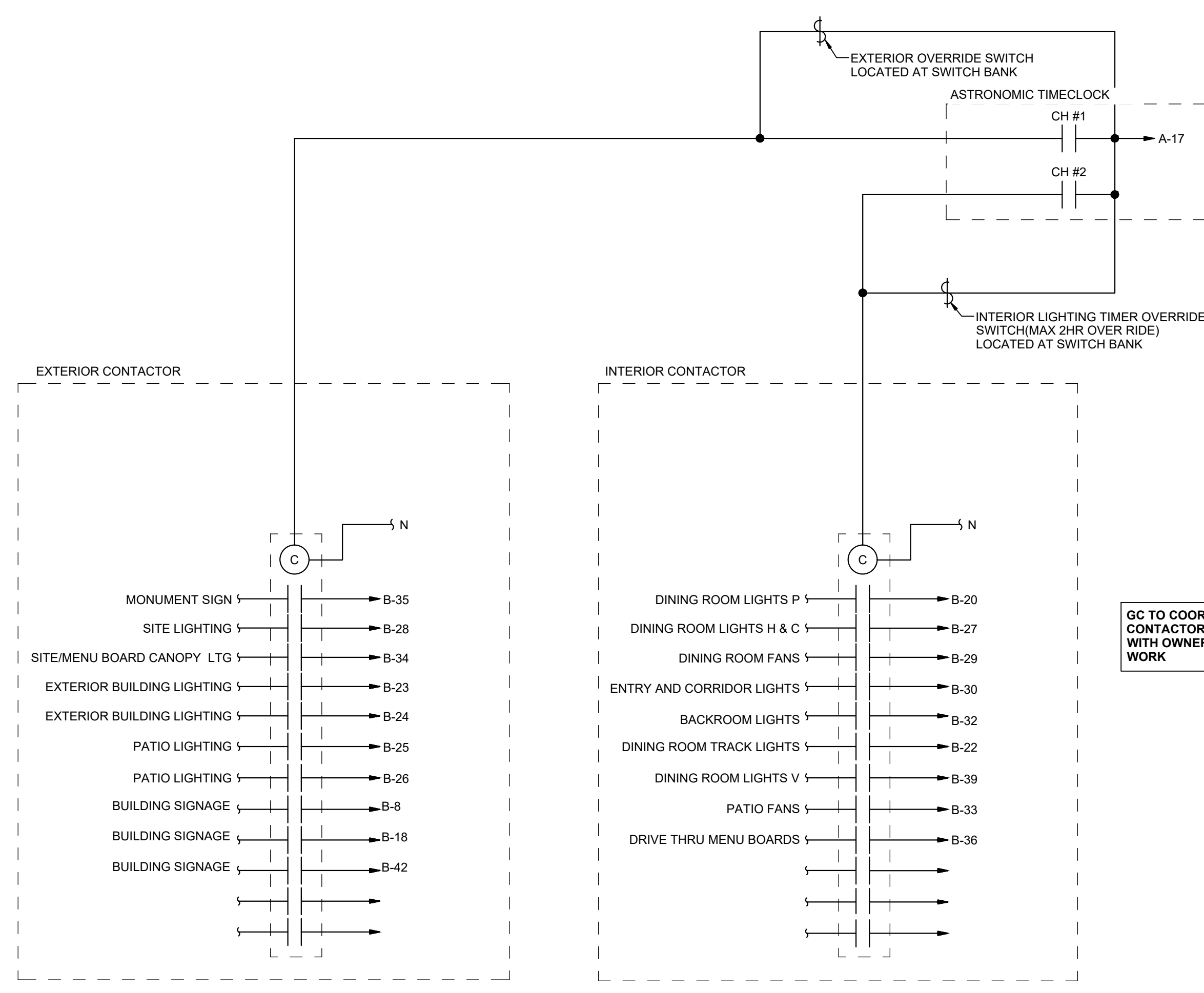
Printed: 2/14/2023 3:44:12 PM V:\Slim Chickens\San Antonio, TX\04-CAD\Sheet\E1-3_ELECTRICAL_DETAILS.dwg



6 CLOUD DETAIL
SCALE: N.T.S.

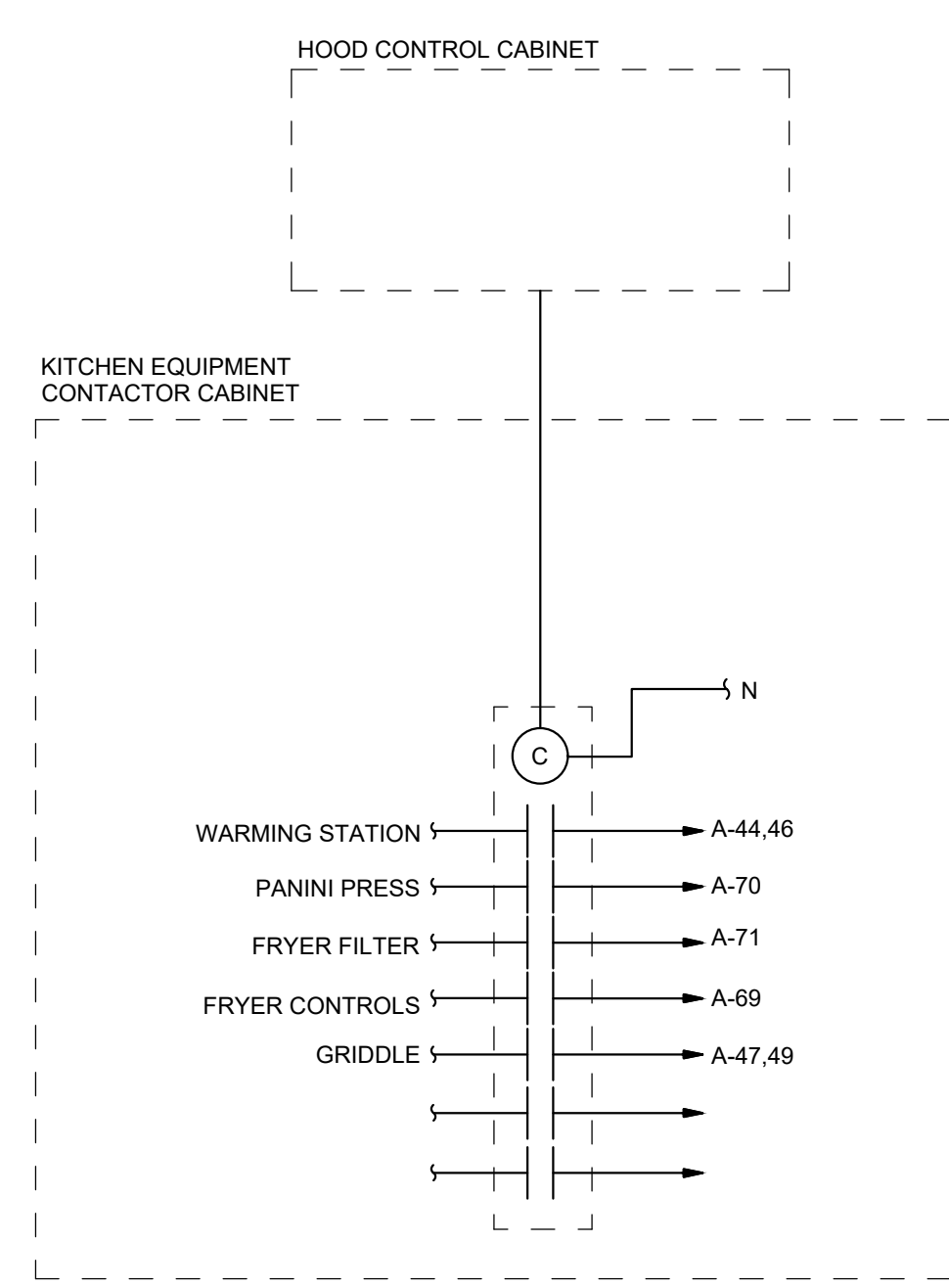


5 CLOUD MOUNTING DETAIL
SCALE: N.T.S.

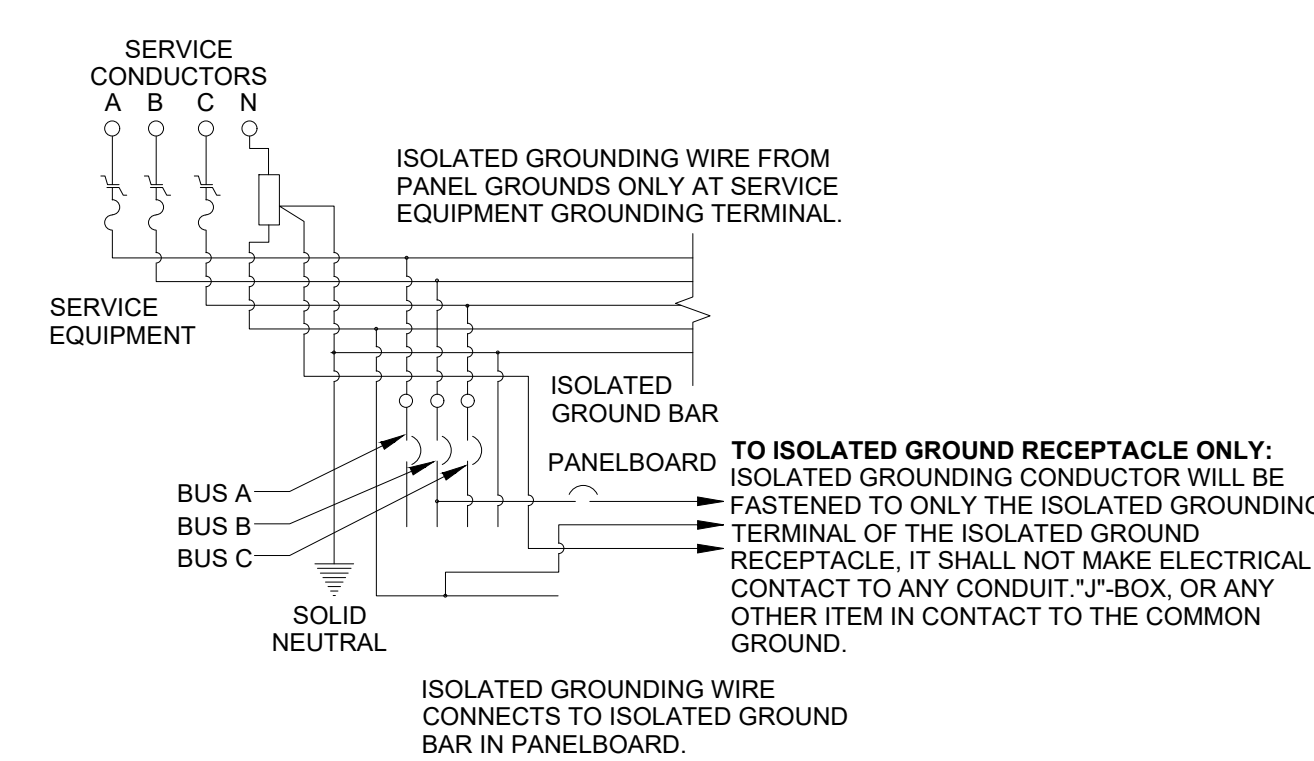


4 LIGHTING CONTACTORS
SCALE: N.T.S.

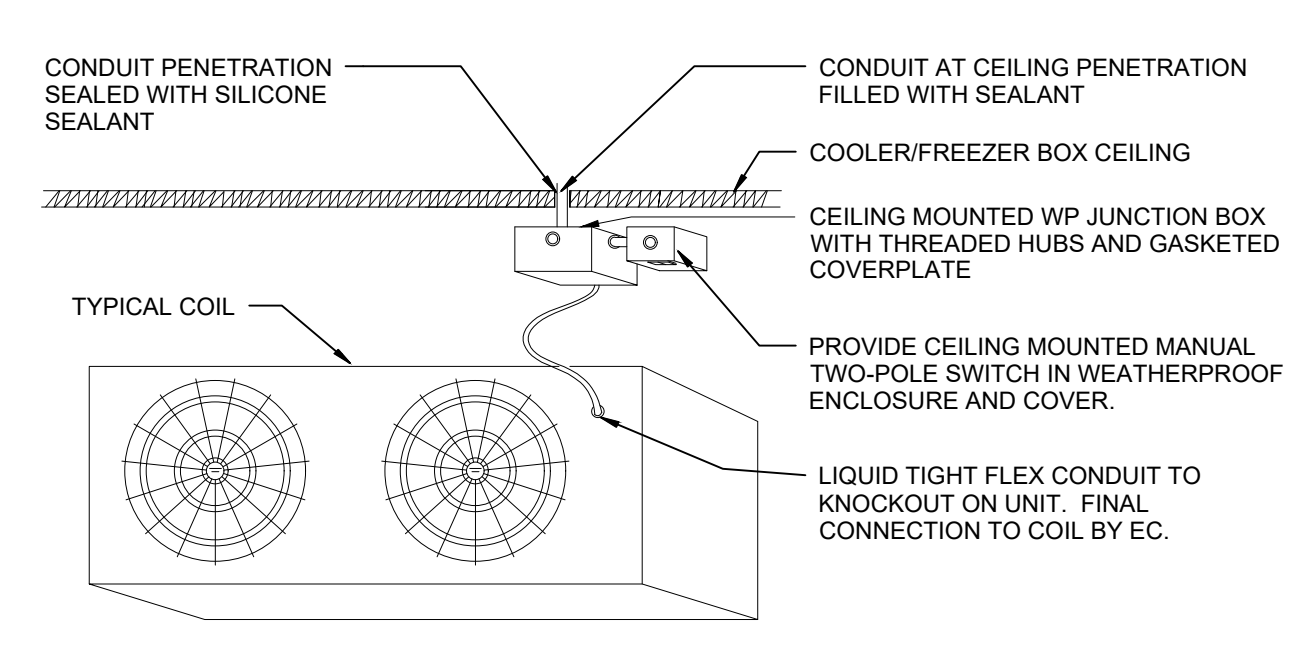
GC TO COORDINATE CONTACTOR SETTINGS WITH OWNER PRIOR TO WORK



3 KITCHEN CONTACTOR
SCALE: N.T.S.

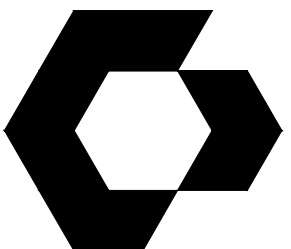


2 ISOLATED GROUND RECEPTACLE
SCALE: N.T.S.



1 EVAPORATOR COIL WIRING
SCALE: N.T.S.

NOTE: DO NOT LOCATE WP JUNCTION BOX DIRECTLY IN FRONT OF DISCHARGE FAN, OFFSET TO SIDE.



CYNERGY
810 S CINCINNATI AVE, STE 200
TULSA, OK 74119
918.877.6000

CYNERGY ENGINEERING, PLLC
LICENSE # 3537
EXPIRES 06/30/2024



2-11-2023
MATTHEW JARED RUTKOWSKI
ENGINEER OF RECORD

DOCUMENTS WITHOUT
SIGNATURE AND REQUIRED SEAL
OF AOR / EOR ARE NOT FOR
CONSTRUCTION.



THIS DRAWING WAS PREPARED SOLELY AND EXCLUSIVELY FOR EXECUTION OF THE PROJECT IDENTIFIED WITHIN THESE DOCUMENTS. CONTEMPORANEOUSLY WITH ITS ISSUE DATE THIS DRAWING MAY NOT BE USED ON OTHER PROJECTS OR FOR ADDITIONS TO THE PROJECT OUTSIDE THE SCOPE OF WORK WITHOUT WRITTEN CONSENT OF THE OWNER, ARCHITECT, AND THE ARCHITECT'S CONSULTANTS. THE ARCHITECT AND THE ARCHITECT'S CONSULTANTS ARE THE AUTHORS AND OWNERS OF THEIR RESPECTIVE DRAWINGS AND SPECIFICATIONS, AND RETAIN ALL COMMON LAW, STATUTORY, AND OTHER RIGHTS, INCLUDING COPYRIGHTS.

ISSUE NO.	REVISIONS

ISSUE DATE: 02/14/2023
PROTO CYCLE: Q2 2022
PROTO SIZE: B1L
CHECKED BY: MJR
DRAWN BY: JRM

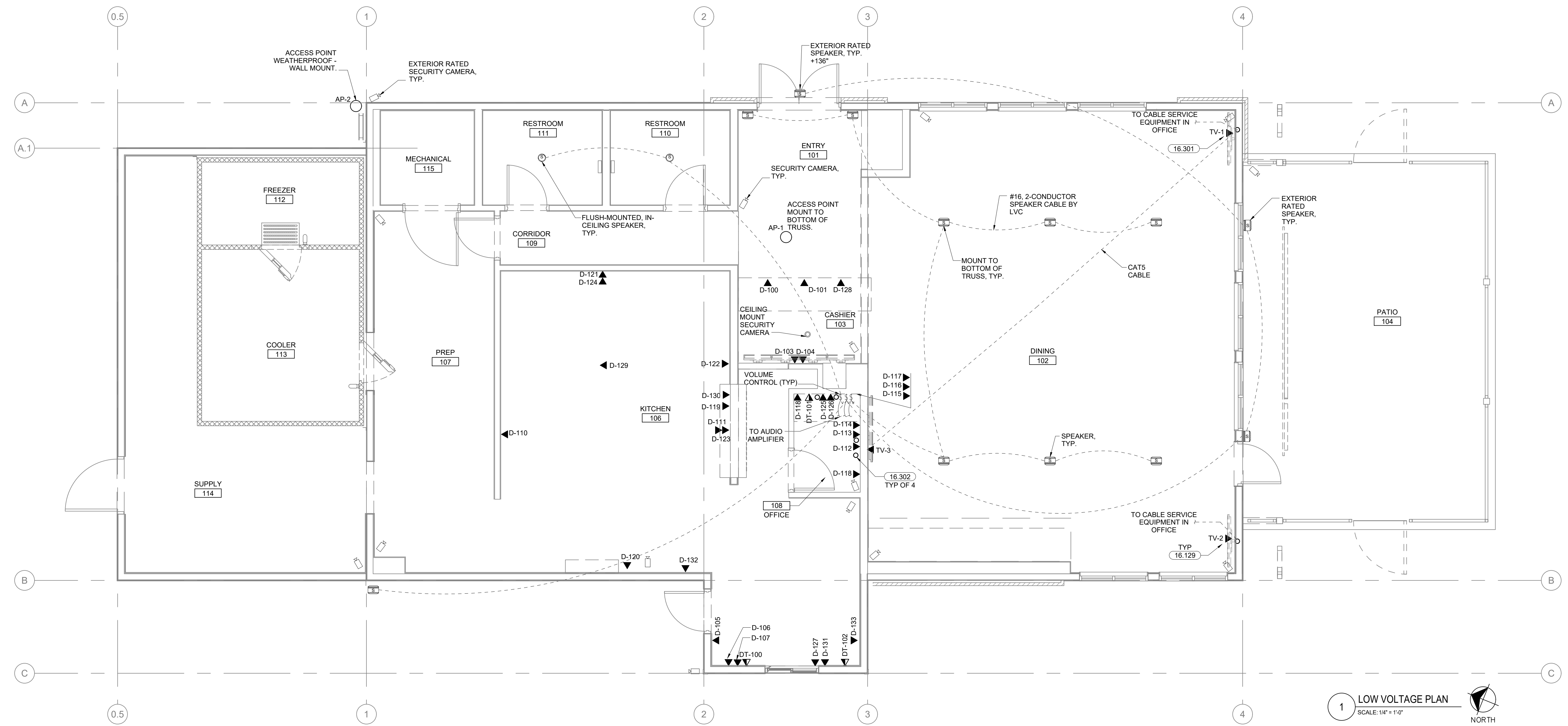
SHEET NAME
LOW VOLTAGE PLAN

SHEET NUMBER
E1.4

ID	DESCRIPTION	CABLE	TERMINATION	ORIGIN
AP-1	ACCESS POINT 1	CAT5	RJ45	PRIVATE NETWORK
AP-2	ACCESS POINT 1	CAT5	RJ45	PRIVATE NETWORK
D-100	POS 1	CAT5	RJ45	POS NETWORK SWITCH
D-101	POS 2	CAT5	RJ45	POS NETWORK SWITCH
D-103	MENU BOARD	#24AWG HDMI (50FT.), #24AWG HDMI (50FT.)	HDMI, HDMI	MENU BOARD CONTROLLER
D-104	MENU BOARD	#24AWG HDMI (50FT.), #24AWG HDMI (50FT.)	HDMI, HDMI	MENU BOARD CONTROLLER
D-105	DRIVE-THRU	CAT5	RJ45	OFFICE
D-106	POS 4	CAT5	RJ45	POS NETWORK SWITCH
D-107	POS 5	CAT5	RJ45	POS NETWORK SWITCH
D-110	KITCHEN MONITOR 1(COOK KDS)	VGA, VGA, CAT5, CAT5	MALE DE-15(VGA), MALE DE-15(VGA)	D-111,D-111
D-111	KITCHEN MONITOR 2(SAUSE KDS)	VGA, VGA, CAT5, CAT5	MALE DE-15(VGA), MALE DE-15(VGA), RJ45, RJ45	MICROS EQUIPMENT, MICROS EQUIPMENT, MICROS NETWORK, MICROS NETWORK
D-112	DVR	CAT5	RJ45	PRIVATE NETWORK SWITCH
D-113	OFFICE	CAT5	RJ45	OFFICE
D-114	OFFICE	CAT5	RJ45	OFFICE
D-115	AMBIANCE MEDIA PLAYER	CAT5	RJ45	PRIVATE NETWORK SWITCH
D-116	MICROS SERVER	CAT5	RJ45	PRIVATE NETWORK SWITCH
D-117	SAFE	CAT5	RJ45	PRIVATE NETWORK SWITCH
D-118 (2)	CAMERA MONITOR	CAT5, CAT5	RJ45, RJ45	PRIVATE NETWORK SWITCH, D119
D-119	TICKET PRINTER	CAT5	RJ45	POS NETWORK SWITCH
D-120	CAMERA MONITOR	CAT5, CAT5	RJ45, RJ45	PRIVATE NETWORK SWITCH
D-121	KITCHEN MONITOR 3(QB KDS)	VGA, VGA, CAT5, CAT5	MALE DE-15(VGA), MALE DE-15(VGA)	D-111
D-122	KITCHEN MONITOR 4(SSW KDS)	VGA, VGA, CAT5, CAT5	MALE DE-15(VGA), MALE DE-15(VGA)	D-111
D-123	KITCHEN MONITOR 5(SAUSE KDS)	VGA, VGA, CAT5, CAT5	MALE DE-15(VGA), MALE DE-15(VGA)	D-111
D-124	KITCHEN MONITOR 6(QB KDS)	VGA, VGA, CAT5, CAT5	MALE DE-15(VGA), MALE DE-15(VGA)	D-111
D-125	POS CABINET	CAT5	RJ45	POS NETWORK SWITCH
D-126	POS CABINET	CAT5	RJ45	POS NETWORK SWITCH
D-127	Q-TIMER	CAT5	RJ45	POS NETWORK SWITCH
D-128	POS 6	CAT5	RJ45	POS NETWORK SWITCH
D-129	KITCHEN MONITOR 7(DRIVE THRU QB KDS)	VGA, VGA, CAT5, CAT5	MALE DE-15(VGA), MALE DE-15(VGA)	D-111
D-130	KITCHEN MONITOR 8(DINE-IN KDS)	VGA, VGA, CAT5, CAT5	MALE DE-15(VGA), MALE DE-15(VGA)	D-111
D-131	KITCHEN MONITOR 9(BEVERAGE KDS)	VGA, VGA, CAT5, CAT5	MALE DE-15(VGA), MALE DE-15(VGA)	D-111
D-132	KITCHEN MONITOR 10(DRIVE-THRU KDS)	VGA, VGA, CAT5, CAT5	MALE DE-15(VGA), MALE DE-15(VGA)	D-111
DT-100	PRIVATE NETWORK, TELEPHONE	CAT5, TWISTED PAIR	RJ45, RJ11	OFFICE
DT-101	PRIVATE NETWORK, TELEPHONE	CAT5, TWISTED PAIR	RJ45, RJ11	PRIVATE NETWORK, TELEPHONE DEMARC
DT-102	PRIVATE NETWORK, TELEPHONE	CAT5, TWISTED PAIR	RJ45, RJ11	OFFICE
TV-1	TELEVISION 1	RG-6/U COAXIAL, CAT 5	TYPE F COAXIAL, RJ45	CABLE SERVICE EQUIPMENT, PRIVATE NETWORK SWITCH
TV-2	TELEVISION 2	RG-6/U COAXIAL, CAT 5	TYPE F COAXIAL, RJ45	CABLE SERVICE EQUIPMENT, PRIVATE NETWORK SWITCH
TV-3	TELEVISION 3	CAT5	RJ45	TV-1
EX-100	EXT. MENU BOARDS	CAT5	RJ45	OFFICE
D-133	KITCHEN MONITOR 11(DRIVE-THRU KDS)	VGA, VGA, CAT5, CAT5	MALE DE-15(VGA), MALE DE-15(VGA)	D-111

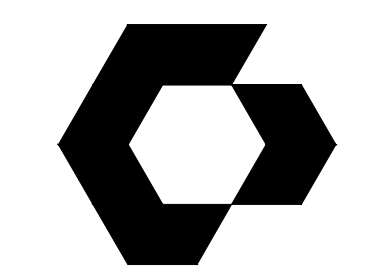
GENERAL NOTES	
1.	WIRING AND CABLING IN AREAS WHERE EXPOSED SHALL BE ROUTED AT 90 DEGREE ANGLES PERPENDICULAR OR PARALLEL TO JOISTS.
2.	ALL WIRING AND CABLING SHALL BE WHITE IN COLOR.
3.	ALL CONDUIT BENDS CONTAINING DATA CABLES SHALL BE LONG SWEEPS, NO 90 DEGREE BENDS.

KEYNOTES - DATA	
16.129	T.V. DATA OUTLET BOX, E.C. TO SUPPLY BOX AND CONDUIT TO LOCATION, E.C. TO COORDINATE EXACT LOCATIONS WITH SLIMS CONSTRUCTION MANAGER.
16.301	LVC SHALL PROVIDE COAXIAL SPLITTER, SPLIT INCOMING CABLE FROM CABLE SERVICE EQUIPMENT TO TV-1 AND TV-3.
16.302	PROVIDE 1 1/2" C. SURFACE MOUNT TO WALL FROM 12" BELOW CEILING SPACE TO ABOVE CEILING SPACE. TERMINATE WITH BUSHING.



1 LOW VOLTAGE PLAN
SCALE: 1/4" = 1'-0"
NORTH

Pinned: 2/14/2023 3:44:17 PM
 V:\Slim Chickens\San Antonio, TX\04-CAD\Sheet\E1.4 - LOW VOLTAGE PLAN.dwg



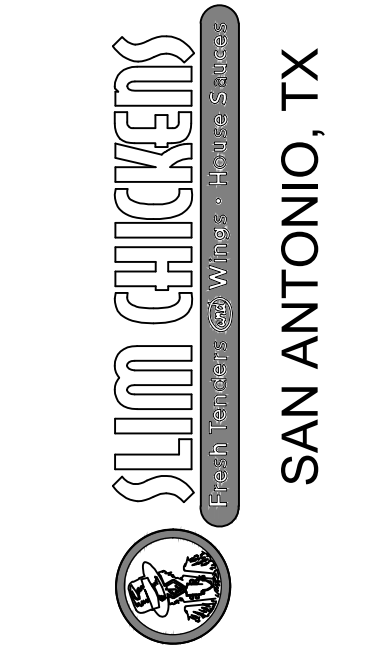
CYNTERGY
810 S CINCINNATI AVE, STE 200
TULSA, OK 74119
918.877.6000

CYNTERGY ENGINEERING, PLLC
LICENSE # 3537
EXPIRES 06/30/2024



MATTHEW JARED RUTKOWSKI
ENGINEER OF RECORD

DOCUMENTS WITHOUT
SIGNATURE AND REQUIRED SEAL
OF AOR / EOR ARE NOT FOR
CONSTRUCTION.



THIS DRAWING WAS PREPARED SOLELY AND EXCLUSIVELY FOR EXECUTION OF THE PROJECT IDENTIFIED WITHIN THESE DOCUMENTS. CONTEMPORANEOUSLY WITH ITS ISSUE DATE THIS DRAWING MAY NOT BE USED ON OTHER PROJECTS OR FOR ADDITIONS TO THE PROJECT OUTSIDE THE SCOPE OF WORK WITHOUT WRITTEN CONSENT OF THE OWNER, ARCHITECT, AND THE ARCHITECT'S CONSULTANTS. THE ARCHITECT AND THE ARCHITECT'S CONSULTANTS ARE THE AUTHORS AND OWNERS OF THEIR RESPECTIVE DRAWINGS AND SPECIFICATIONS, AND RETAIN ALL COMMON LAW, STATUTORY, AND OTHER RIGHTS, INCLUDING COPYRIGHTS.

ISSUES / REVISIONS

NO.	DESCRIPTION	DATE

ISSUE DATE: 02/14/2023
PROTO CYCLE: Q2 2022
PROTO SIZE: B1L
CHECKED BY: MJR
DRAWN BY: JRM

SHEET NAME
LIGHTING PLAN
SHEET NUMBER
E2.0

LIGHTING FIXTURE SCHEDULE

TYPE MARK	DESCRIPTION	MANUFACTURER	MODEL	MOUNTING	VOLTAGE	WATTAGE	LAMP TYPE	MOUNTING AFF
B	PENDANT/CHANDELIER FIXTURE	MWC	SCTADN1834	CORD PENDANT	120 V	200 W	INCANDESCENT	FIXED LUMINAIRE
C	CALVIN PENDANT	TMS LIGHTING	SC30250-INC-C/S9845S	CORD PENDANT	120 V	9 W	LED	108" TO BOTTOM OF DOME
EG	EGRESS LIGHT	SURE-LITES	APWR2	WALL MOUNTED	3.6 V	0.7 W	LED	102" TO CENTER OF BOX
EM	WALL MOUNTED EMERGENCY PACK	SURE-LITES	APCH	WALL MOUNTED	120 V	0.3 W	LED	12" BELOW CEILING IN ALL AREAS
EX	EXIT SIGN	SURE-LITES	AEL2-46-WH	WALL MOUNTED	120 V	1.3 W	LED	VARIES PER ROOM. COORDINATE WITH OTHERS FOR BEST LOCATION
FS	EGRESS LIGHT	SURE-LITES	LVL20UG	WALL MOUNTED	120 V	17.7 W	LED	96" TO BOTTOM OF BOX
G	UNDER CANOPY LIGHT	LUMARK	LL78814 BN W/12" X 24"	WALL MOUNTED	120 V	9 W	LED	REFER TO A2.1 AND A2.2 FOR MOUNTING HEIGHT
H	LILL PENDANT	TMS LIGHTING	SC30250-IN-H-F10/S9845S	CORD PENDANT	120 V	9 W	LED	90" TO BOTTOM OF DOME
I	52" CEILING FAN	LUMENCIA	SC30250-LD-J-F10	SURFACE	120 V	75 W	N/A	MINIMUM OF 10' PER MANUFACTURER
J	EXTERIOR GOOSENECK	TMS LIGHTING	SC30250-LD-K-F10	WALL MOUNT	120 V	20 W	LED	REFER TO A2.1 AND A2.2 FOR MOUNTING HEIGHT
K	RLM DOME GOOSENECK	TMS LIGHTING	SC30250-LD-K-F10	WALL MOUNT	120 V	19 W	LED	REFER TO A2.1 AND A2.2 FOR MOUNTING HEIGHT
KH	RLM DOME GOOSENECK	TMS LIGHTING	SC-CUSSC30250-LD-KH-F10	WALL MOUNT	120 V	55 W	LED	REFER TO A2.1 AND A2.2 FOR MOUNTING HEIGHT
L	LIGHT STRING	AMERICAN LIGHTING	11S14	SURFACE	120 V	264 W	LED	COORDINATE WITH OWNER
M	VANITY LIGHT	TMS LIGHTING	CUS30250-IN-M-S/S9580	WALL	120 V	9 W	LED	COORDINATE WITH INSTALLATION OF MIRROR
N	TRACK LIGHT HEAD	HALO	L806FL8030P/L652P/L909P/L908P	TRACK MOUNTED	120 V	27 W	LED	ATTACHES TO TRACK
P	INTERIOR GOOSENECK	TMS LIGHTING	SC30250-INC-K-F10/S9845S	WALL MOUNT	120 V	9 W	LED	108" TO CENTER OF BOX. SURFACE MOUNTED J-BOX AND CONDUIT
Q	2X4 LAY IN	METALUX	24FP6440C	RECESSED	120 V	59.4 W	LED	LAY IN GRID
QE	2X4 LAY IN W/EM BALLAST	METALUX	24FP6440C-EL14W	RECESSED	120 V	73.4 W	LED	LAY IN GRID
R	4" SQUARE SURFACE MOUNT	HALO	SMD45927W/HD	RECESSED	120 V	9.5 W	LED	RECESSED ABOVE CEILING
S	EXTERIOR CEILING FAN	MWC	TURBINA R4144 W/12" X 24" DOWNROD	SURFACE	120 V	0 W	N/A	COORDINATE WITH OWNER
ST4	4"2-BULB VAPOR TIGHT	METALUX	4VT2LD4-6-DR-UNV-L840-CD1-WL-U	SURFACE	120 V	50 W	FLUORESCENT	BOTTOM OF STRUCTURE
T8	8' TRACK	HALO	SCL652P, SCL908P, SCL908P	SURFACE	120 V	0 W	-	120" TO CENTER OF TRACK
U8	8' TRACK	NUVO	TR123, TP170	SURFACE	120 V	0 W	-	120" TO CENTER OF TRACK
V	VINTAGE PENDANT TRACK LIGHT	NUVO	64906/S9581	TRACK MOUNTED	120 V	6.5 W	SATCO S9581	PENDANT CONNECTED TO TRACK WITH SATCO #80-2061 CONNECTION
SF2	4' LINEAR FIXTURE	METALUX	4SLSTP4040DD-UNV	SURFACE	120 V	44 W	FLUORESCENT	BOTTOM OF STRUCTURE

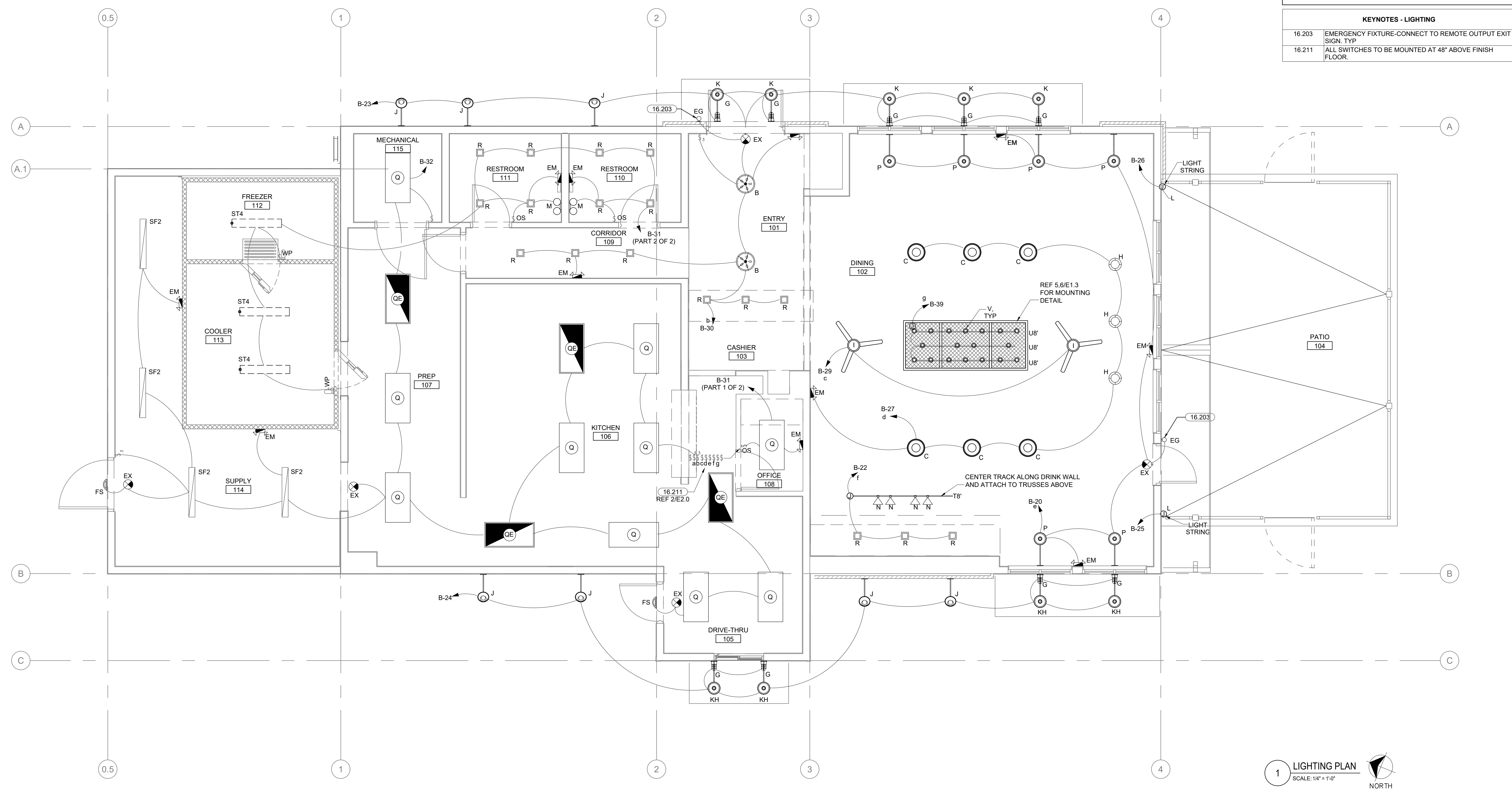
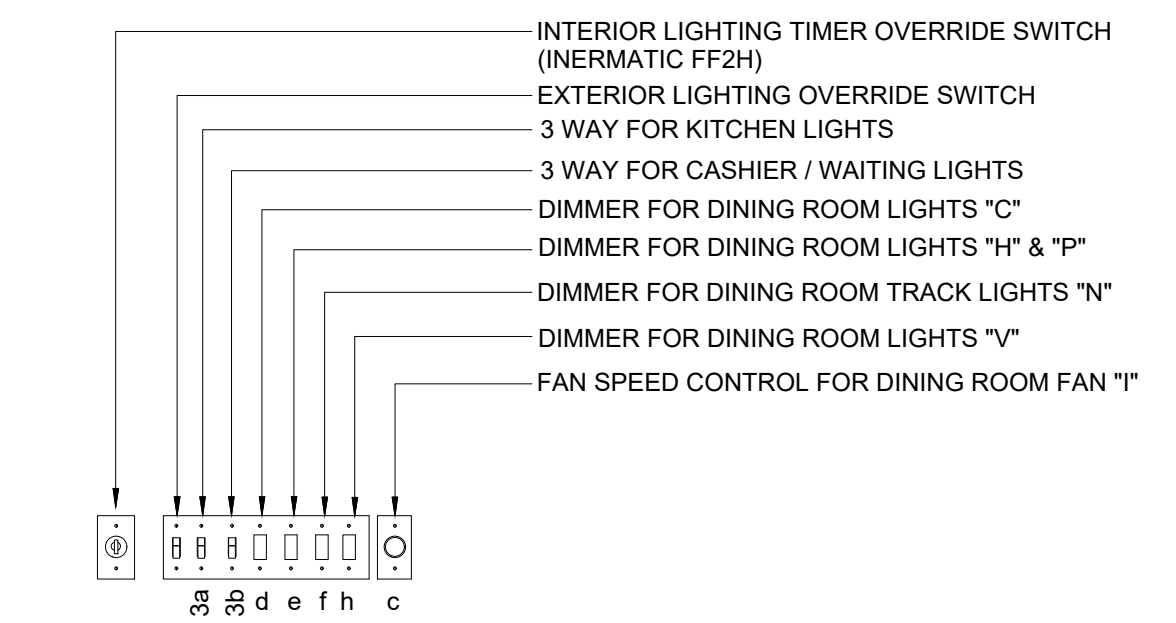
MANUFACTURE NOTES:

ALL LIGHT FIXTURES AND GEAR WILL BE PROVIDED BY THE SLIM CHICKENS NATIONAL ACCOUNT PROVIDER MALMSTROM WHITE. CONTACT CHRIS JENNINGS AT THE MALMSTROM WHITE COMPANY (501-224-2775 EXT 213) FOR PRICING. ADDITIONAL CONTACT INFO IS VIA CELL PHONE (501-993-8779) OR VIA EMAIL (CHRIS@MW-CO.COM). LEAD TIME FOR LIGHTS CAN BE UP TO 8-WEEKS. NO EXCEPTIONS WILL BE ALLOWED UNLESS SPECIFICALLY AUTHORIZED BY SLIM CHICKENS CORPORATE. THE GENERAL CONTRACTOR WILL BE RESPONSIBLE FOR SUPPLYING THE LIGHTING AND GEAR PACKAGE AND INSTALLATION TO BE BY THE ELECTRICAL CONTRACTOR.

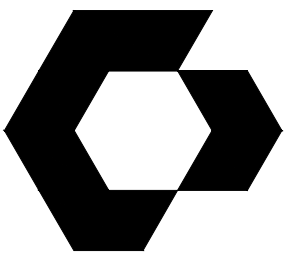
- NOTES:**
- EMERGENCY EXIT ILLUMINATION SHALL BE SUPPLIED FROM STORAGE BATTERY THAT IS TO PROVIDE 90 MINUTES OF CONTINUED ILLUMINATION IN CASE OF A PRIMARY POWER LOSS.
 - THE BRANCH CIRCUIT FEEDING THE UNIT EQUIPMENT (EMERGENCY LIGHT/EXIT SIGN WITH SELF-CONTAINED RECHARGEABLE BATTERY) SHALL BE THE SAME BRANCH CIRCUIT AS THAT SERVING THE NORMAL LIGHTING IN THE AREA AND CONNECTED AHEAD OF ANY LOCAL SWITCHES OR TIME CLOCKS AS SHOWN ON PLAN.
 - EMERGENCY LUMINAIRES SHALL PROVIDE AN INITIAL AVERAGE ILLUMINATION LEVEL OF AT LEAST 1 FOOT-CANDLE BUT AT ANY POINT IT SHALL NOT BE LESS THAN 0.1 FOOT-CANDLE ALONG THE PATH OF EGRESS AT FLOOR LEVEL.
 - AT THE END OF THE REQUIRED EMERGENCY SOURCE TIME DURATION, THE EMERGENCY LUMINAIRES SHALL PROVIDE AN AVERAGE ILLUMINATION LEVEL OF AT LEAST 0.6 FOOT-CANDLE BUT AT ANY POINT IT SHALL NOT BE LESS THAN 0.06 FOOT-CANDLE ALONG THE PATH OF EGRESS AT FLOOR LEVEL.
 - THE EMERGENCY ILLUMINATION LEVEL SHALL HAVE A MINIMUM-TO-MAXIMUM EMERGENCY ILLUMINATION UNIFORMITY RATIO THAT DOES NOT EXCEED 40:1.
 - CONDUIT AND WIRING IN AREAS WHERE EXPOSED SHALL BE ROUTED AT 90 DEGREE ANGLES PERPENDICULAR OR PARALLEL TO JOISTS. COORDINATE PAINTING OF CONDUIT WITH ARCHITECTURAL FINISHES.
 - ALL LED FIXTURES TO HAVE A COLOR TEMPERATURE OF 3000 OR LOWER TO MATCH COLOR OF INCANDESCENT FIXTURES.
 - ALL LIGHTING PLAN DIMENSIONS TO FACE OF FINISH, TYP.
 - GOOSENECK (EXTERIOR) AND PENDANT (INTERIOR) LIGHTS NEAR BOOTH WINDOWS TO BE CENTERED ON WINDOW OPENING, TYP.

KEYNOTES - LIGHTING

16.203	EMERGENCY FIXTURE-CONNECT TO REMOTE OUTPUT EXIT SIGN, TYP
16.211	ALL SWITCHES TO BE MOUNTED AT 48" ABOVE FINISH FLOOR.



1 LIGHTING PLAN
SCALE: 1/4" = 1'-0"
NORTH



CYNERGY
810 S CINCINNATI AVE, STE 200
TULSA, OK 74119
918.877.6000

CYNERGY ENGINEERING, PLLC
LICENSE # F-2220
EXPIRES 11/30/23



MICHAEL OBERMARK
ENGINEER OF RECORD

DOCUMENTS WITHOUT
SIGNATURE AND REQUIRED SEAL
OF AOR / EOR ARE NOT FOR
CONSTRUCTION.



THIS DRAWING WAS PREPARED SOLELY AND EXCLUSIVELY FOR EXECUTION OF THE PROJECT IDENTIFIED WITHIN THESE DOCUMENTS. CONTEMPORANEOUSLY WITH ITS ISSUE DATE THIS DRAWING MAY NOT BE USED ON OTHER PROJECTS OR FOR ADDITIONS TO THE PROJECT OUTSIDE THE SCOPE OF WORK WITHOUT WRITTEN CONSENT OF THE OWNER, ARCHITECT, AND THE ARCHITECT'S CONSULTANTS. THE ARCHITECT AND THE ARCHITECT'S CONSULTANTS ARE THE AUTHORS AND OWNERS OF THEIR RESPECTIVE DRAWINGS AND SPECIFICATIONS, AND RETAIN ALL COMMON LAW, STATUTORY, AND OTHER RIGHTS, INCLUDING COPYRIGHTS.

ISSUES / REVISIONS

NO.	DATE	DESCRIPTION

ISSUE DATE: 02/14/2023
PROTO CYCLE: Q2 2022
PROTO SIZE: B1L
CHECKED BY: WTL
DRAWN BY: MSB

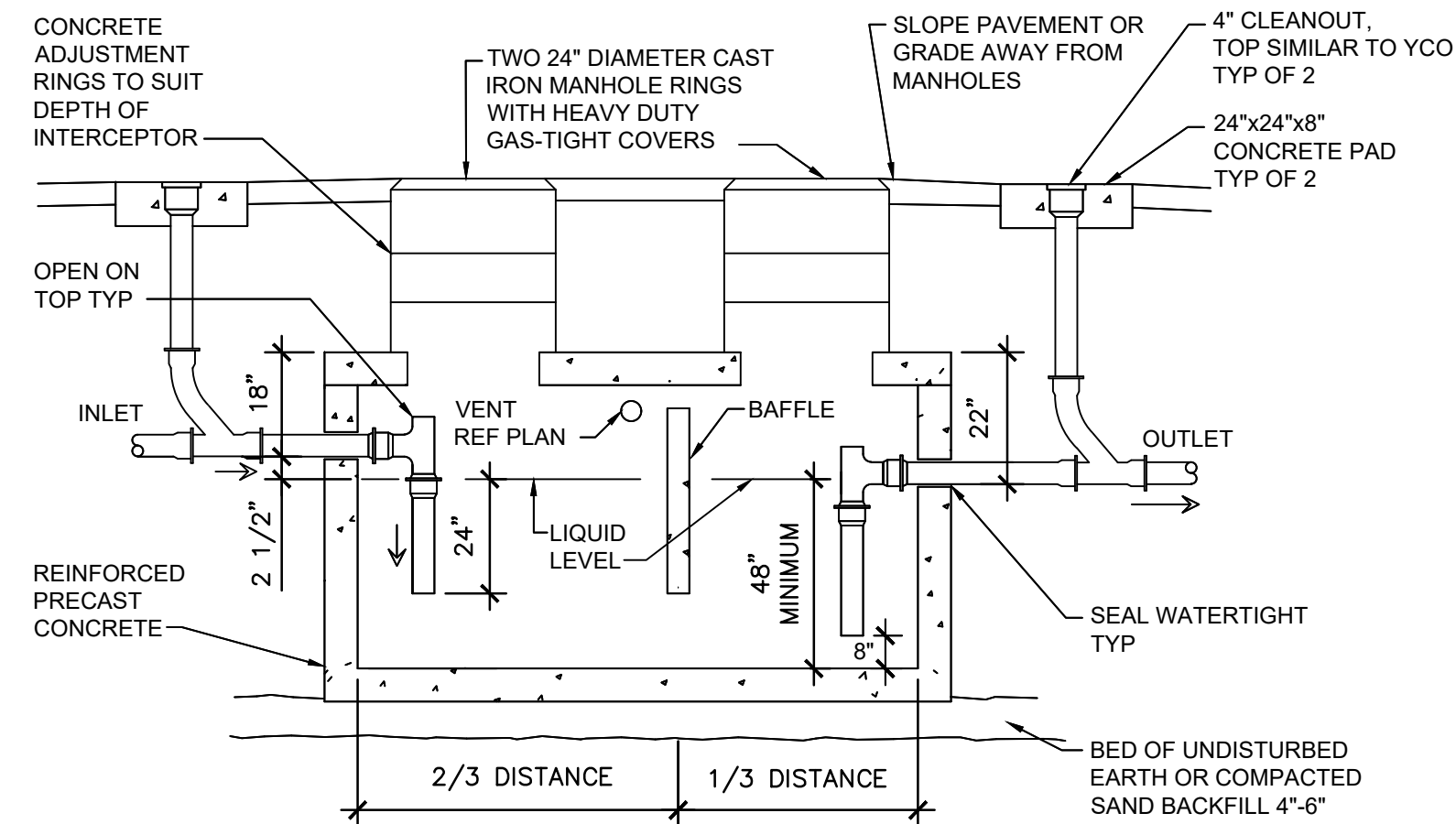
SHEET NAME

PLUMBING
DRAIN PLAN

SHEET NUMBER

P1.0

KEYNOTES - SANITARY	
15.200	3/4" GREASE RECOVERY LINE DOWN WALL TO FRYERS, COORDINATE CONNECTION TYPE WITH MANUFACTURES RECOMMENDATIONS.
15.201	3/4" GREASE RECOVERY LINE ABOVE CEILING
15.202	ROUTE 1" CONDENSATE FROM COOLER DN TO FLOOR DRAIN WITH AIR GAP PER LOCAL AHJ.
15.204	3/4" GREASE RECOVERY LINE SLOPE 1/8" PER FT TOWARD GRT. PROVIDE INSULATION ON ALL INTERIOR AND EXTERIOR PIPING USE MINIMUM NUMBER OF BENDS AS POSSIBLE.
15.205	ROUTE FULL SIZE DRAIN FROM DRINK DISPENSER(S) AND ICE MAKERS AT BEVERAGE BAR TO FS WITH CODE REQUIRED AIR GAP PER LOCAL AHJ.
15.206	PROVIDE HEAT TAPE ON CONDENSATE LINE IN WALK IN FREEZER. ROUTE HIGH AS POSSIBLE
15.213	ROUTE FULL SIZE DRAIN FROM DRINK DISPENSER(S)/ICE MAKER TO FS WITH AIR GAP PER LOCAL CODE & AHJ.
15.400	REFER TO CIVIL FOR CONTINUATION. MAINTAIN A MINIMUM 30" COVER.
15.402	PROVIDE INDIRECT DRAIN FROM SINK TO FS.
15.403	PRIMARY AND OVERFLOW STORM PIPE DOWN INSIDE WALL. LOCATE BOTTOM OF DOWNSPOUT 18" ABOVE GRADE.



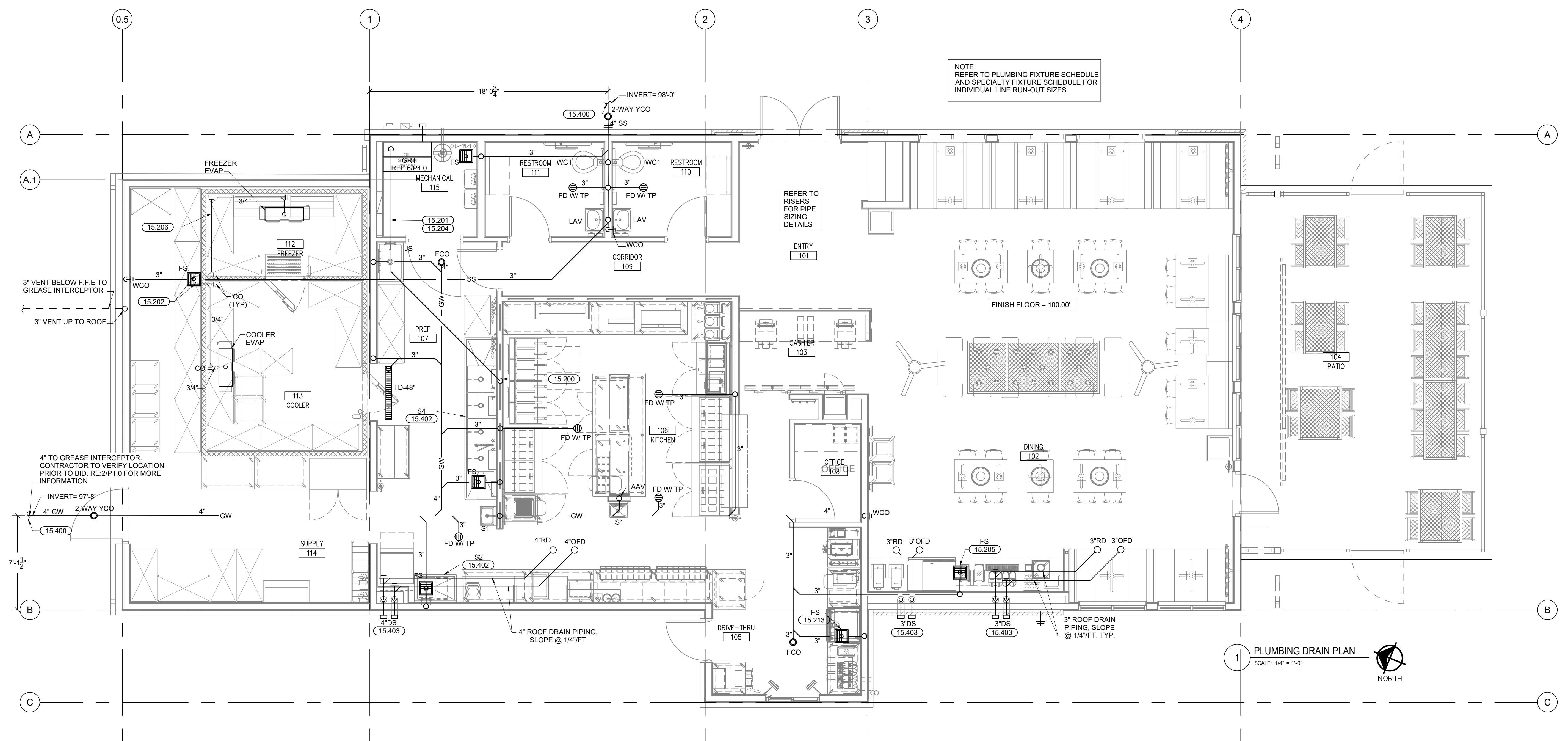
1000 GALLON PRECAST INTERCEPTOR. DETAIL SHOWS GENERAL SCHEMATIC REQUIREMENTS. CONTRACTOR SHALL SUBMIT PROPOSED INTERCEPTOR INSTALLATION PLANS AND SPECIFICATIONS TO AUTHORITIES HAVING JURISDICTION FOR APPROVAL BEFORE ACQUISITION OF INTERCEPTOR. PROVIDE INTERCEPTOR WITH ADEQUATE STRUCTURAL STRENGTH TO ACCOMMODATE VEHICULAR TRAFFIC AT INSTALLATION LOCATION.

NOTES:
1. PROVIDE SAMPLING PORT DOWNSTREAM OF THE JUNCTION WITH THE MAIN SANITARY SEWER.
2. REFER TO PLUMBING PLAN FOR PIPE SIZES.
3. INSTALL UNDER LOCAL AHJ FROST DEPTHS REQUIREMENTS.

2 GREASE INTERCEPTOR DETAIL
SCALE: N.T.S.

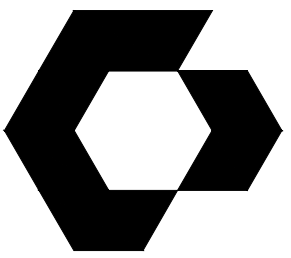
NOTE:
ALL UNDERGROUND PIPING SHALL BE INSTALLED BELOW THE FROST DEPTHS AS INDICATED BY THE LOCAL AHJ AND CURRENT CODES.

NOTE:
REFER TO PLUMBING FIXTURE SCHEDULE AND SPECIALTY FIXTURE SCHEDULE FOR INDIVIDUAL LINE RUN-OUT SIZES.



1 PLUMBING DRAIN PLAN
SCALE: 1/4" = 1'-0"
NORTH

V:\Slim Chickens\San Antonio, TX\04-CAD\Sheet\PI-0 - PLUMBING_DRAIN_PLUMBING_PLAN.dwg
Printed: 2/15/2023 8:14:46 AM



CYNERGY
810 S CINCINNATI AVE, STE 200
TULSA, OK 74119
918.877.6000

CYNERGY ENGINEERING, PLLC
LICENSE # F-2220
EXPIRES 11/30/23



MICHAEL OBERMARK
ENGINEER OF RECORD

DOCUMENTS WITHOUT
SIGNATURE AND REQUIRED SEAL
OF AOR / EOR ARE NOT FOR
CONSTRUCTION.

SLIM CHICKENS
SAN ANTONIO, TX

THIS DRAWING WAS PREPARED SOLELY AND EXCLUSIVELY FOR EXECUTION OF THE PROJECT IDENTIFIED WITHIN THESE DOCUMENTS. CONTEMPORANEOUSLY WITH ITS ISSUE DATE THIS DRAWING MAY NOT BE USED ON OTHER PROJECTS OR FOR ADDITIONS TO THE PROJECT OUTSIDE THE SCOPE OF WORK WITHOUT WRITTEN CONSENT OF THE OWNER, ARCHITECT, AND THE ARCHITECT'S CONSULTANTS. THE ARCHITECT AND THE ARCHITECT'S CONSULTANTS ARE THE AUTHORS AND OWNERS OF THEIR RESPECTIVE DRAWINGS AND SPECIFICATIONS, AND RETAIN ALL COMMON LAW, STATUTORY, AND OTHER RIGHTS, INCLUDING COPYRIGHTS.

ISSUES / REVISIONS

NO.	DATE	DESCRIPTION

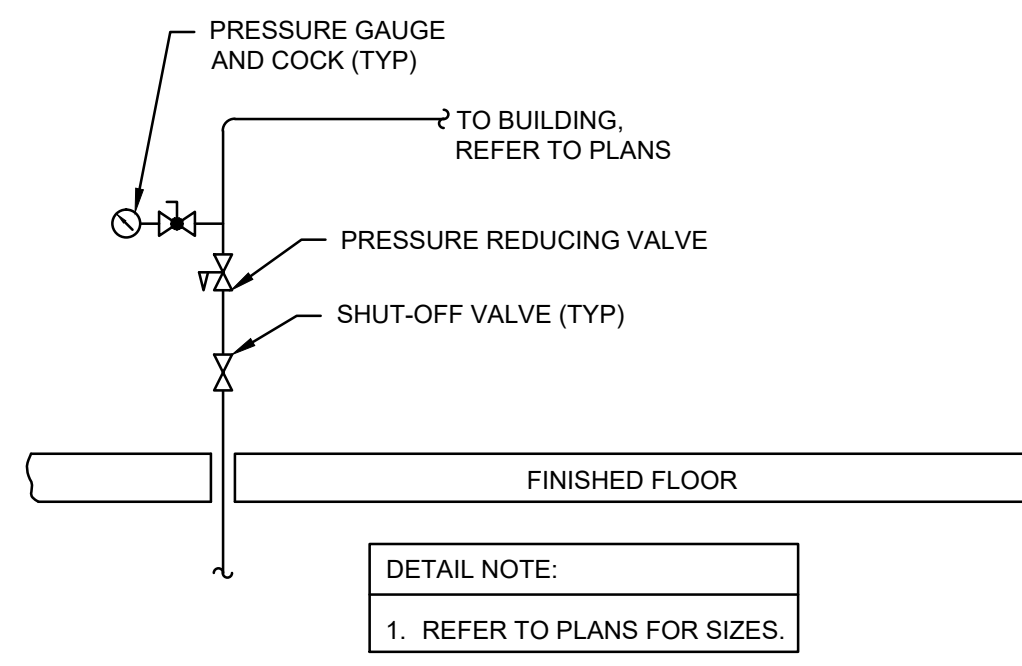
ISSUE DATE: 02/07/2023
PROTO CYCLE: Q2 2022
PROTO SIZE: B1L
CHECKED BY: WTL
DRAWN BY: MSB

SHEET NAME

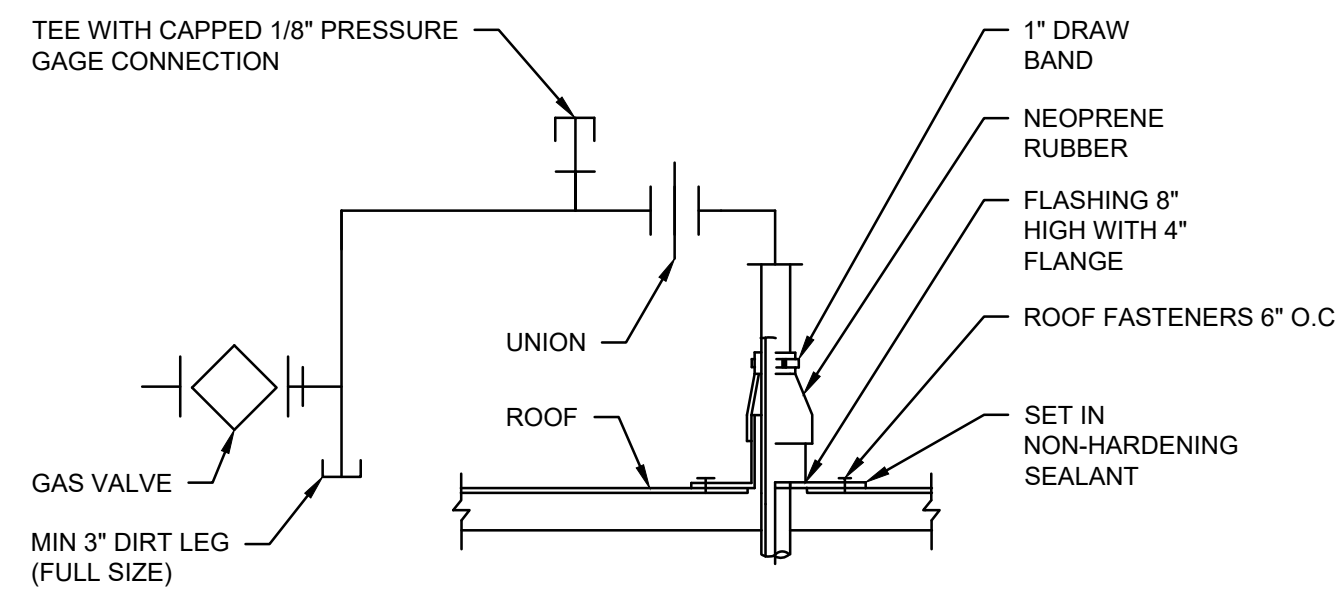
PLUMBING
DETAILS

SHEET NUMBER

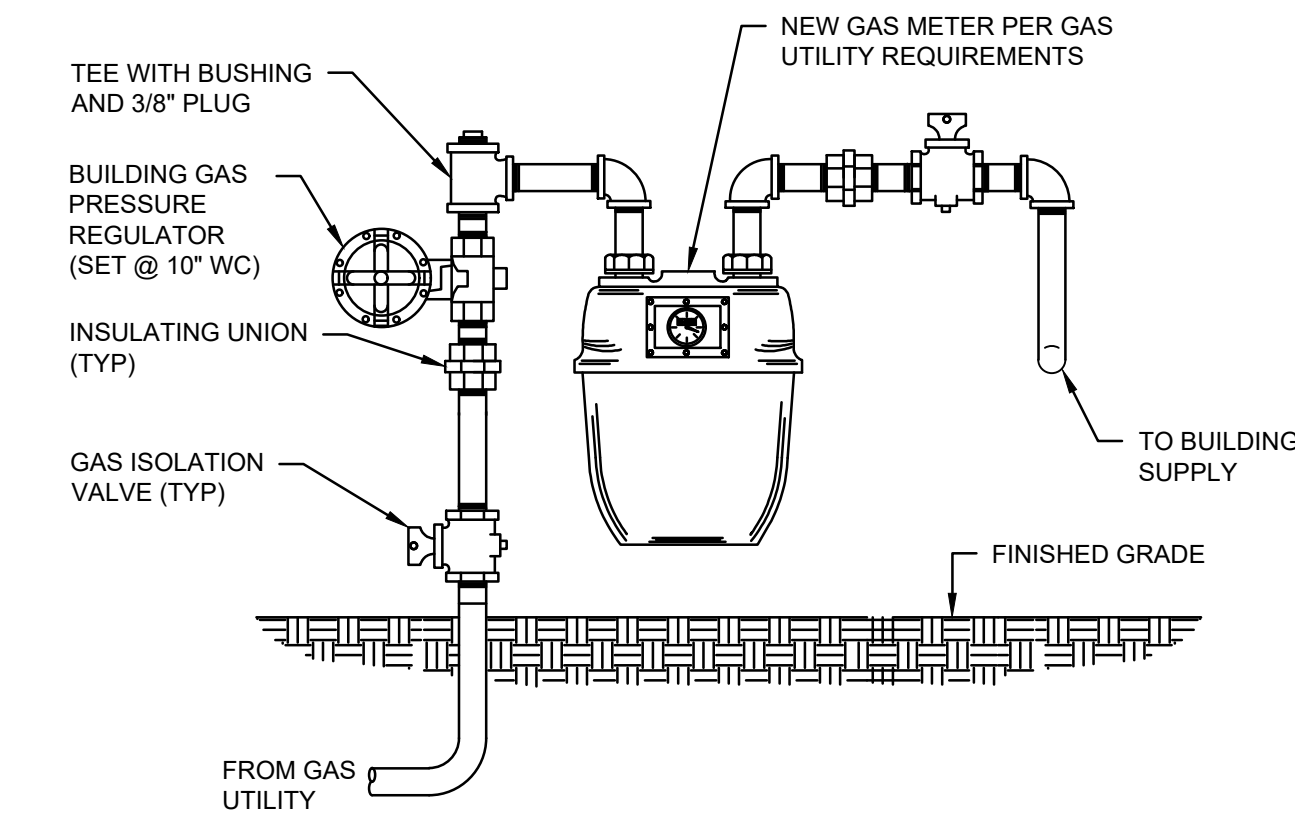
P4.0



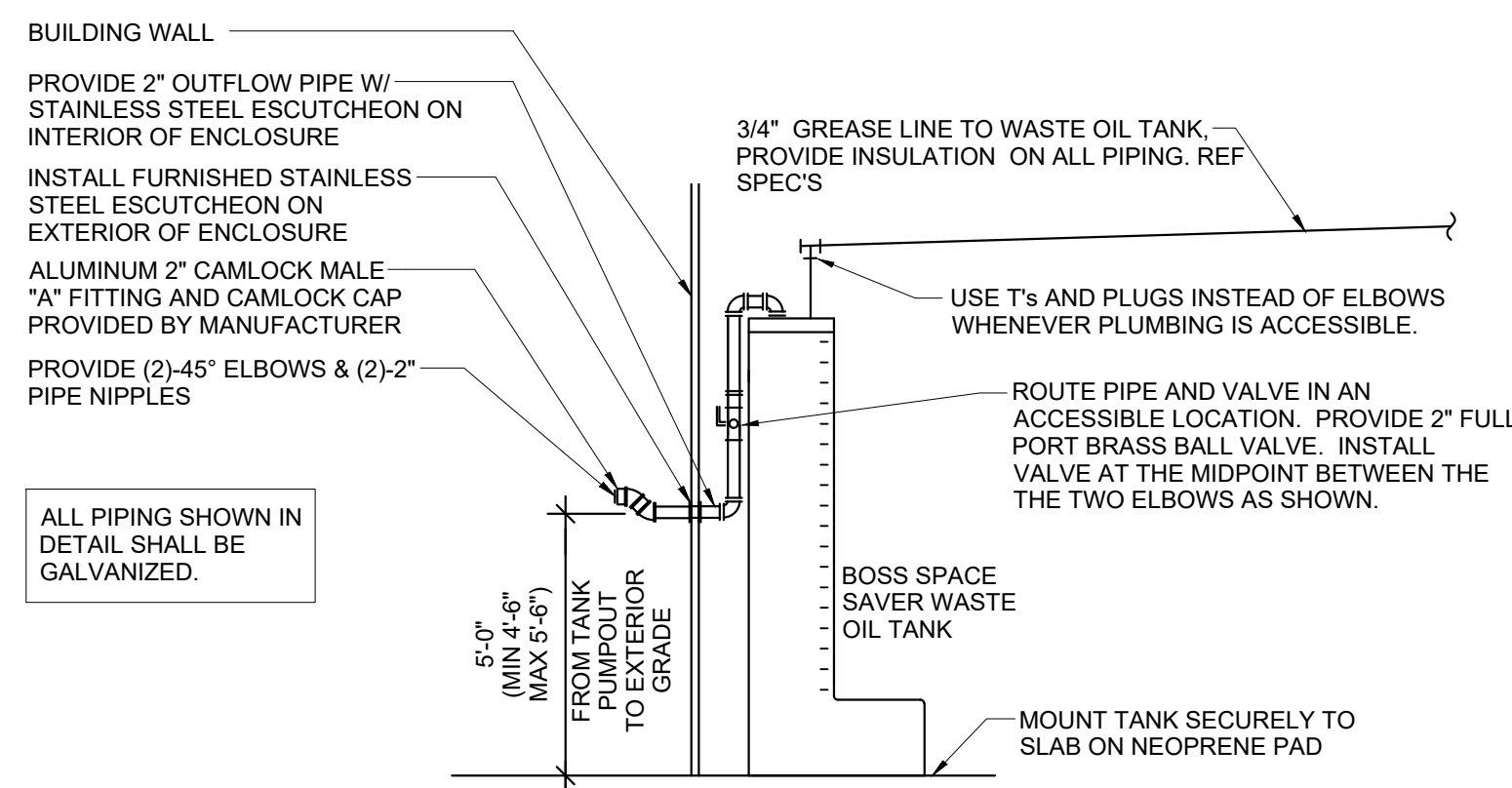
9 DOMESTIC WATER ENTRY DETAIL
SCALE: NTS



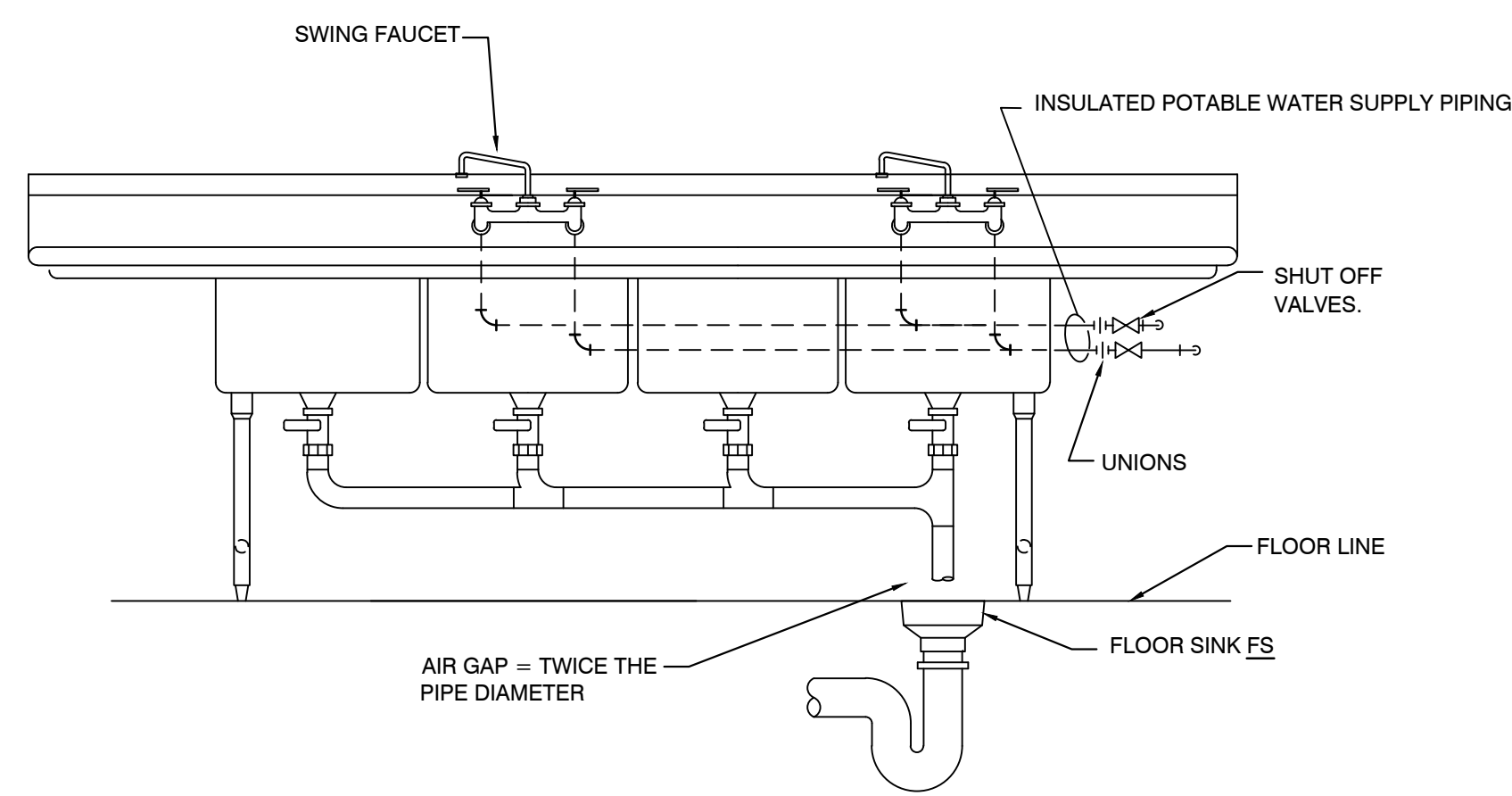
8 PIPE PENETRATION DETAIL
SCALE: NTS



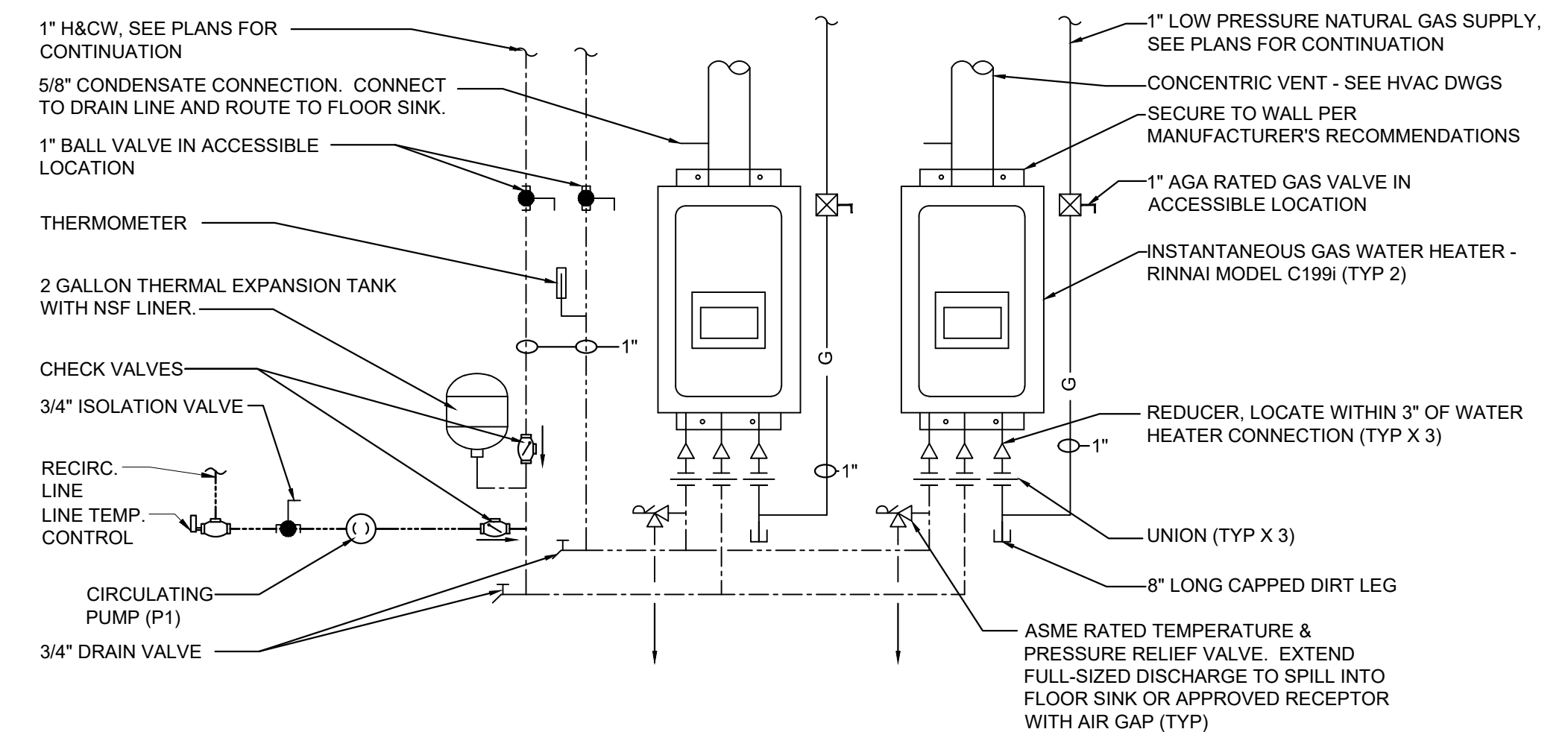
7 GAS METER SET DETAIL
SCALE: NTS



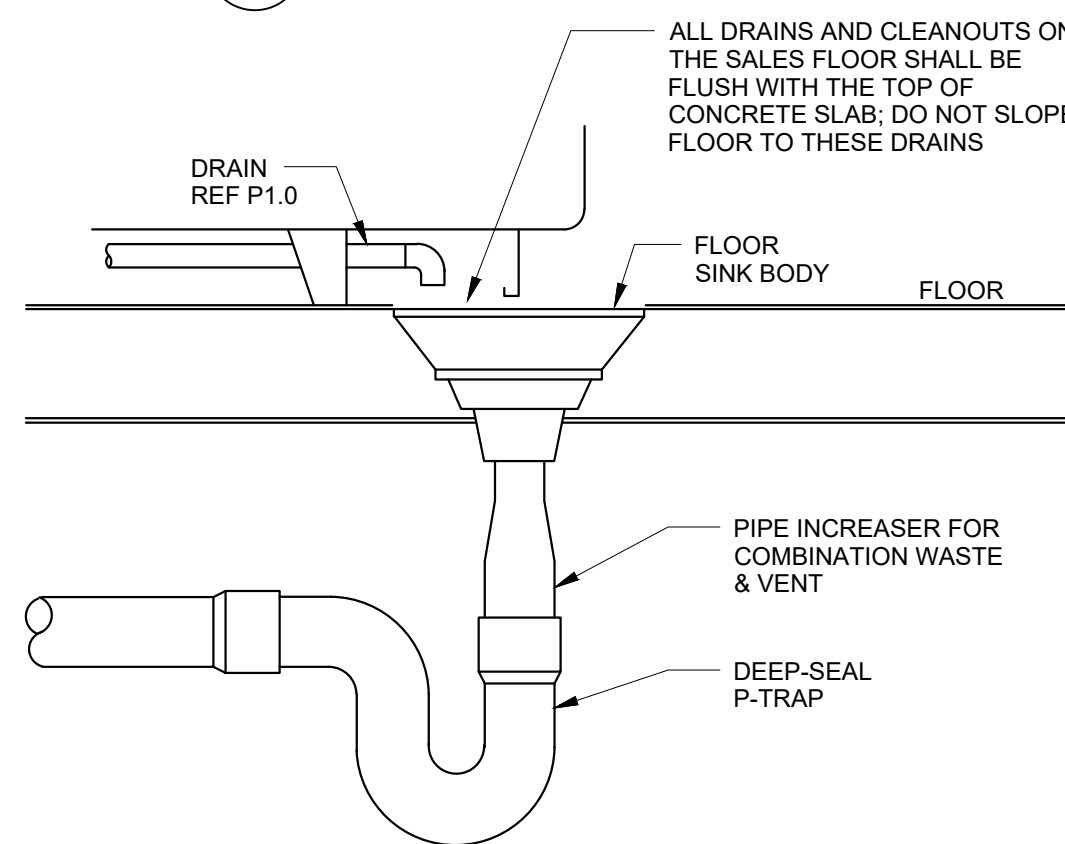
6 WASTE COOKING OIL TANK
SCALE: NTS



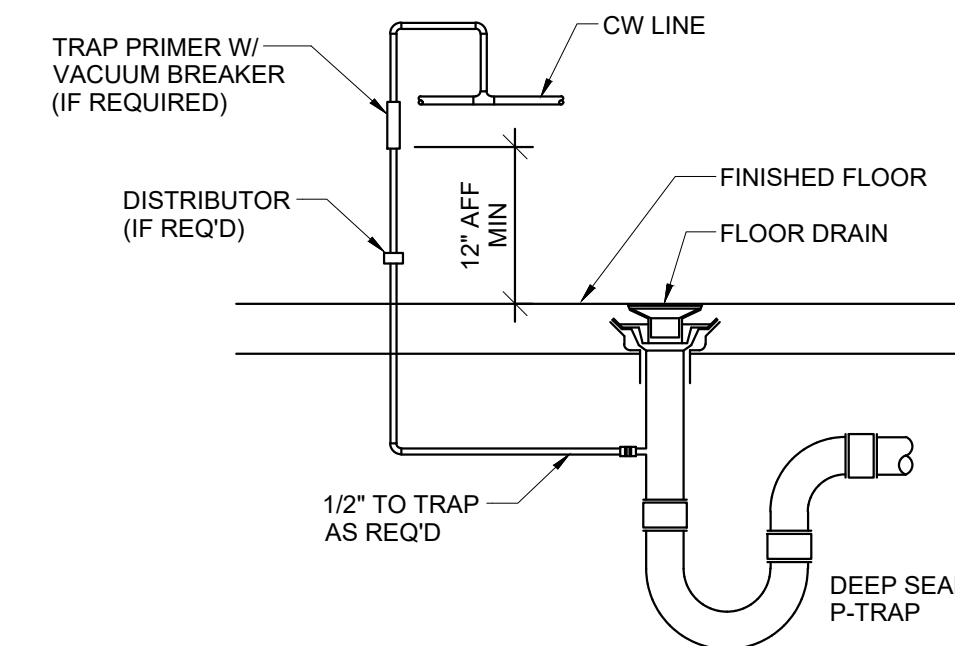
5 4-COMPARTMENT SINK DETAIL
SCALE: NTS



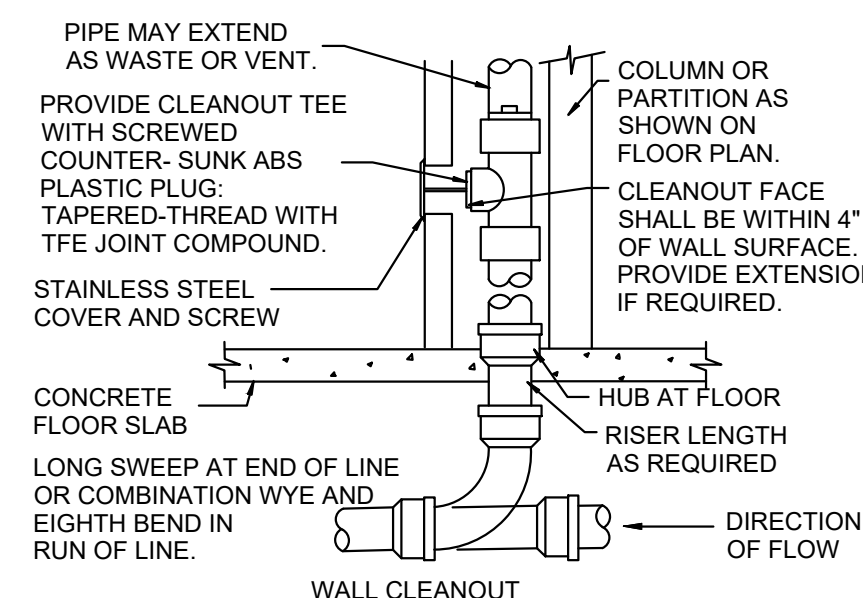
4 GAS WATER HEATER DETAIL
SCALE: NTS



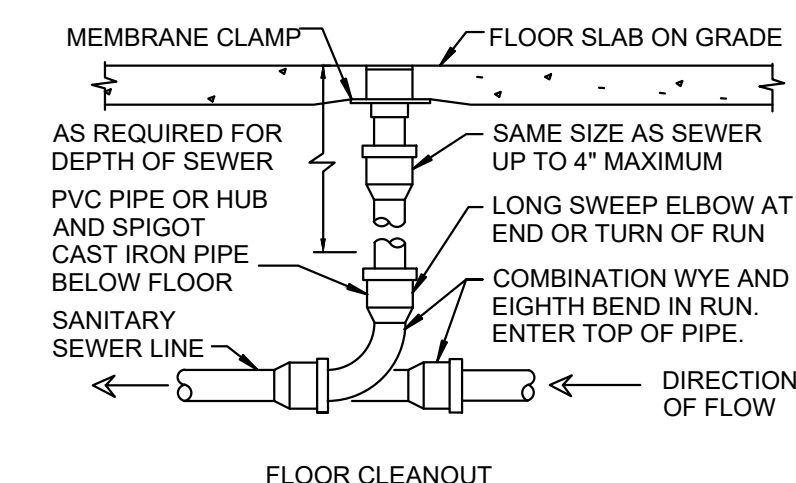
3 INDIRECT DRAIN DETAIL
SCALE: NTS



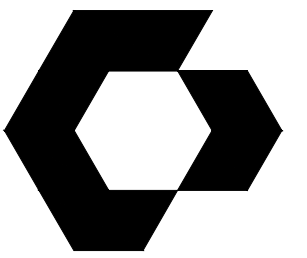
2 FLOOR DRAIN DETAIL
SCALE: NTS



1 CLEANOUT DETAILS
SCALE: NTS



LOCATE AT BUILDING EXIT, AT ENDS OF RUNS, AT TURNS OF PIPE GREATER THAN 45 DEGREES, AT 50' INTERVALS ON STRAIGHT RUNS, AND/OR WHERE SHOWN ON PLANS. PROVIDE BACKFILL PER ARCHITECTURAL SPECIFICATIONS. LOCATE CLEANOUTS WHERE THERE IS 18\"/>



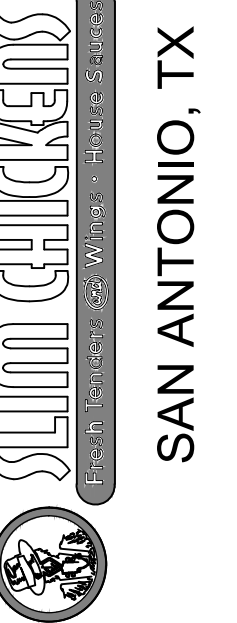
CYNTERGY
810 S CINCINNATI AVE, STE 200
TULSA, OK 74119
918.877.6000

CYNTERGY ENGINEERING, PLLC
LICENSE # F-2220
EXPIRES 11/30/23



MICHAEL OBERMARK
ENGINEER OF RECORD

DOCUMENTS WITHOUT
SIGNATURE AND REQUIRED SEAL
OF AOR / EOR ARE NOT FOR
CONSTRUCTION.



SAN ANTONIO, TX

THIS DRAWING WAS PREPARED SOLELY AND EXCLUSIVELY FOR EXECUTION OF THE PROJECT IDENTIFIED WITHIN THESE DOCUMENTS. CONTEMPORANEOUSLY WITH ITS ISSUE DATE THIS DRAWING MAY NOT BE USED ON OTHER PROJECTS OR FOR ADDITIONS TO THE PROJECT OUTSIDE THE SCOPE OF WORK WITHOUT WRITTEN CONSENT OF THE OWNER, ARCHITECT, AND THE ARCHITECT'S CONSULTANTS. THE ARCHITECT AND THE ARCHITECT'S CONSULTANTS ARE THE AUTHORS AND OWNERS OF THEIR RESPECTIVE DRAWINGS AND SPECIFICATIONS, AND RETAIN ALL COMMON LAW, STATUTORY, AND OTHER RIGHTS, INCLUDING COPYRIGHTS.

ISSUE / REVISIONS	NO.	DATE	DESCRIPTION

ISSUE DATE: 02/07/2023
PROTO CYCLE: Q2 2022
PROTO SIZE: B1L
CHECKED BY: WTL
DRAWN BY: MSB

SHEET NAME

**PLUMBING
LEGENDS, NOTES,
AND SCHEDULES**

SHEET NUMBER

P5.0

GENERAL PLUMBING NOTES

- THE ENTIRE PLUMBING SYSTEM SHALL BE IN ACCORDANCE WITH PLUMBING CODES ENFORCED BY LOCAL AHJ, REGULATIONS, AND LOCAL PLUMBING INSPECTOR.
- THE PIPING INDICATED ON THESE PLANS ARE DIAGRAMMATICAL. ALL WORK SHALL BE COORDINATED WITH ALL OTHER TRADES PRIOR TO INSTALLATION. CONTRACTOR SHALL COORDINATE ROUTING OF ALL PIPING WITH EXISTING CONDITIONS AND SHALL PROVIDE ANY NECESSARY OFFSETS, REROUTING, TEES, ELBOWS, ETC. REQUIRED FOR A COMPLETE AND COORDINATED INSTALLATION.
- THE CONTRACTOR SHALL OBTAIN AND PAY ALL FEES RELATED TO PERMITTING, INSPECTIONS, TAP-ON FEES, ETC.
- THE CONTRACTOR SHALL COORDINATE ANY PLUMBING OR PIPING SYSTEM SHUTDOWN WITH THE OWNER 48 HOURS IN ADVANCE.
- ALL DOMESTIC WATER, DEIONIZED WATER, NATURAL GAS, SHOWN IS ABOVE CEILING, EXPOSED OVERHEAD, AND WITHIN WALLS UNLESS OTHERWISE NOTED. WATER HAMMER ARRESTORS SHALL BE INSTALLED AT THE ENDS OF EACH BRANCH FOR HOT AND COLD WATER PIPING AND ALL LOCATIONS PER MANUFACTURERS RECOMMENDATIONS. ISOLATION VALVES SHALL BE INSTALLED ON ALL SUPPLY FIXTURE GROUPS AND HOT WATER BALANCING VALVES.
- FROST PROOF HOSE BIBBS AND SUPPLY PIPING SHALL BE INSTALLED ON THE INSIDE OF THE INSULATION. SEAL SHEATHING PENETRATION TO PREVENT AIR FROM REACHING THE VALVE. PROVIDE ISOLATION VALVE IN AN ACCESSIBLE LOCATION.
- ALL WASTE PIPING SHALL IS BELOW SLAB, BELOW FLOOR, OR WITHIN WALLS UNLESS OTHERWISE NOTED. ALL SANITARY VENT PIPING SHOWN IS ABOVE CEILING, EXPOSED OVERHEAD, OR WITHIN WALLS UNLESS OTHERWISE NOTED.
- FLOOR DRAINS ARE TO BE THE SAME SIZE AS THE DRAIN LINE IT CONNECTS UNLESS NOTED OTHERWISE. IF SIZE IS NOT INDICATED ON DRAWINGS REFER TO PLUMBING SCHEDULE FOR PROPER SIZE.
- FLUSH CONTROLS FOR HANDICAPPED WATER CLOSETS ARE TO BE MOUNTED TO THE OPEN SIDE OF THE TOILET AREAS.
- CONTRACTOR SHALL COORDINATE AND PROVIDE ALL NECESSARY PIPING & PLUMBING FITTINGS, PIPING, MISCELLANEOUS ITEMS REQUIRED FOR A COMPLETE INSTALLATION OF ALL PLUMBING RELATED ITEMS.
- THE CONTRACTOR SHALL COORDINATE THE INSTALLATION OF ALL UNDER SLAB PIPING WITH STRUCTURAL FOUNDATIONS. UNDERGROUND UTILITY LOCATIONS SHALL BE VERIFIED PRIOR TO ANY WORK BEING PERFORMED. CONTRACTOR SHALL REPAIR OR REPLACE ALL PIPING NOT IN PROPER WORKING ORDER OR DAMAGED DURING INSTALLATION OF THE NEW UNDERGROUND PIPING.
- ALL PLUMBING & PIPING SYSTEMS SHALL BE SUPPORTED AS REQUIRED BY THE LOCAL CODE REQUIREMENTS AND PER MANUFACTURERS RECOMMENDATIONS.
- ALL PIPING PENETRATIONS THROUGH WALL, OR FLOOR SHALL BE SEALED TO EQUAL THE RATING OF THE WALL OR FLOOR.
- INSTALL ESCUTCHEONS FOR PIPING PENETRATION OF WALL, CEILING, AND FINISHED FLOORS IN ALL EXPOSED LOCATIONS; ID TO CLOSELY FIT AROUND PIPE, TUBE, AND INSULATION OF PIPING AND WITH OD THAT COMPLETELY COVERS OPENING
- THE PLUMBING SYSTEM SHALL BE TESTED AS REQUIRED BY LOCAL CODE OR BY THE REQUIREMENTS OF THE LOCAL PLUMBING INSPECTOR.
- THE ENTIRE DOMESTIC WATER SYSTEM SHALL BE DISINFECTED IN ACCORDANCE TO THE LOCAL CODE & HEALTH DEPARTMENT REQUIREMENTS.
- DOMESTIC WATER AND SEWER LOCATED OUTSIDE OF FOOTING SHALL MAINTAIN A 10' SEPARATION UNLESS WRITTEN PERMISSION IS OBTAINED FROM LOCAL AUTHORITIES OR PROPER CONTAMINATION PROVISIONS PER LOCAL CODE HAVE BEEN MET.
- FINISHED FLOOR ELEVATION (F.F.E.) SHALL BE 100.00' FOR CALCULATION PURPOSES ONLY, UNLESS NOTED OTHERWISE.
- THE BACKFLOW PREVENTION DEVICE SHALL BE INSTALLED PER LOCAL CODE & PER AUTHORITY HAVING JURISDICTION REQUIREMENTS.
- ALL (VTR'S) VENT THRU ROOF PENETRATIONS INDICATED ON PLANS ARE PRELIMINARY. FINAL LOCATIONS SHALL BE COORDINATED WITH ALL TRADES. ALL VTR'S SHALL BE A MINIMUM OF 10'-0" FROM ALL FRESH AIR INTAKE OPENINGS.
- ANY PVC PIPE PENETRATING A FIRE RATED ASSEMBLY SHALL BE EXTERNALLY SLEEVED WITH STEEL, FERROUS, OR COPPER MATERIALS, SECURELY FASTENED TO THE FIRE RATED ASSEMBLY. ANY SPACE BETWEEN THE SLEEVE AND THE FIRE RATED ASSEMBLY PENETRATED SHALL BE PROTECTED USING MATERIAL THAT CONFORMS TO ASTM E 814 OR UL 1479, SUCH AS FIRE STOP FS-1900 OR FLAME STOPPER 5000.

PLUMBING SYMBOLS	
SS	SANITARY SEWER
GW	GREASE WASTE
-----	DOMESTIC COLD WATER
-----	DOMESTIC HOT WATER
-----	DOMESTIC HOT WATER RETURN
FW	FILTERED WATER
G	NATURAL GAS
CD	CONDENSATE DRAIN
-----	PLUMBING VENT
U	UNION
E	ELBOW - TURNED DOWN
E	ELBOW - TURNED UP
T	TEE - TURNED DOWN
T	TEE - TURNED UP
B	BALL VALVE
S	SHUT-OFF VALVE IN VERTICAL LINE
P	BACKFLOW PREVENTER
FD	FLOOR DRAIN
FS	FLOOR SINK
FCO	FLOOR CLEANOUT
YCO	YARD CLEANOUT
FPWH	FREEZE PROOF WALL HYDRANT
HB	HOSE BIBB
WCO	WALL CLEANOUT
G	GAS PRESSURE REGULATOR
C	GAS COCK

PLUMBING FIXTURE SCHEDULE							
FIXTURE TAG	FIXTURE	MANUFACTURER	MODEL	CW	HW	WASTE	VENT
FPWH	FROST PROOF WALL HYDRANT	J.R. SMITH	5509QT	3/4"	---	---	---
JS	JANITOR'S SINK	MUSTEE CUSTODIAL FLOOR SINK	65M	1/2"	1/2"	3"	1 1/2"
LAV	HANDICAPPED LAVATORY	AMERICAN STANDARD	DECORUM (WHITE)	1/2"	1/2"	1 1/4"	1 1/4"
PW	PRESSURE WASHER (OWNER PROVIDED)	EASIWASH	PRESSURE WASHER	1/2"	1/2"	---	---
S1	SINK SINGLE COMPARTMENT (OWNER PROVIDED)	BK RESOURCES (W/ KNEE VALVE)	BKHS-W-1410-1-SS-BKK-P-G	1/2"	1/2"	2"	1 1/2"
S2	PREP SINK (OWNER PROVIDED)	BK RESOURCES	BKS-1-1620-12-1 8L	---	---	2"	1 1/2"
S2A	PREP SINK FAUCET (GC PROVIDED)	T&S	B-2414-CR-SC	1/2"	1/2"	---	---
S4	SINK 4 COMP (OWNER PROVIDED)	JOHN BOOS	4PB244-2D24	---	---	2"	1 1/2"
S4A	4 COMP FAUCET (GC PROVIDED)	T&S	B-0279	1/2"	1/2"	---	---
SB	SUPPLY BOX	GUY GRAY	BIM-875	1/2"	---	---	---
WC1	HANDICAPPED WATER CLOSET	AMERICAN STANDARD	MADERA 3043.001	1"	---	4"	2"

TRIM

BRONZE NICKEL PLATED, QUARTER TURN, SELF DRAINING, HOSE CONNECTION, "T" HANDLE KEY, STAINLESS STEEL BOX WITH COVER, PROVIDE SHUT-OFF VALVE FOR SUPPLY LINE IN AN ACCESSIBLE LOCATION, 18" ABOVE GRADE OUTSIDE, 18" A.F.F. INSIDE.

FLOOR MOUNTED 36"x24", ONE PIECE MOLDED CONSTRUCTION OF NATURAL CRUSHED STONE AND POLYESTER RESIN PROVIDE SERVICE FAUCET # 63.600A CHROME PLATED BRASS ON 8" CENTER W/ VACUUM BREAKER, HOSE BRACKET 65.700, MOP HANGER 65.600, BUMPER GUARDS 63.401/63.403, WALL GUARDS 2 PANELS & 1 BRACKET 67.2436, SUPPLIED W/ CAST BRASS DRAIN, PROVIDE CHECK VALVES ON HOT AND COLD WATER LINES IN AN ACCESSIBLE LOCATION

WALL HUNG, VITREOUS CHINA LAVATORY, ZURN Z6915-XL HANDS FREE SENSOR FAUCET WITH 0.5 GPM AERATOR, KOHLER K-7131-A OFFSET CHROME PLATED CAST BRASS GRID DRAIN, SEAMLESS BRASS TAILPIECE W/ CAST BRASS LOCKNUT, MCGUIRE 8902 1 1/2" x 1 1/2" CHROME PLATED HEAVY CAST BRASS ADJUSTABLE P TRAP W/ CLEANOUT PLUG, MCGUIRE 170LK CHROME PLATED SOLID BRASS ANGLE STOPS W/ 5" CHROME PLATED COPPER EXTENSION TUBE & LOOSE KEY, FLEXIBLE CHROME PLATED COPPER RISERS, PROVIDE INSULATION EQUAL TO TRUBREK LAV-GUARD PVC TYPE INSULATION AROUND "P" TRAP & IPS CONNECTIONS. PROVIDE WITH TMV WHICH MEETS ASSE 1070 SET TO 110 DEG F

HOT AND COLD WATER HOSE BIBB TO SUPPLY UNIT, ROUGH-IN LOCATOIN 3-4" FROM CEILING WITH SHUT OFFS.

WALL MOUNTING HARDWARE INCLUDED. HEAVY DUTY CHROME PLATED CAST BRASS P-TRAP W/ CLEANOUT PLUG, MCGUIRE 170LK CHROME PLATED SOLID BRASS ANGLE STOPS W/ 5" CHROME PLATED COPPER EXTENSION TUBE & LOOSE KEYS, FLEXIBLE CHROME PLATED COPPER RISERS, MCGUIRE 111C SERIES 1 1/2" END OUTLET CONTINUOUS WASTE, NON-ADA, 1" TO TOP OF RIM, ADA 3/4" TO TOP OF RIM, FAUCET TO BE OWNER PROVIDED, PROVIDE WITH TMV @ 110 DEG F AND 0.5 AERATOR

1-COMP SINK WITH DRAIN BOARD. PLUMBING CONTRACTOR TO INSTALL WITH S2A FAUCET.

PROVIDE T&S B-2414-CR-SC 8" O.C. WALL MOUNTED MIXING FAUCET WITH CERAMA CARTRIDGES W/CHECK VALVES, 8" SWING NOZZLE, B-PT STREAM REGULATOR OUTLET & 1/2" NPT FEMALE INLETS.

(2) 8" O.C BACK SPLASH MOUNT FAUCETS HOLES. PLUMBING CONTRACTOR TO INSTALL WITH S4A FAUCET.

(2) FAUCETS PROVIDED W/ CHECK VALVES. ONE FAUCET WITH ADDITIONAL EASY INSTALL BIG-FLO ADD-ON, OVERHEAD SPRING, 36" FLEX HOSE, B-0107 SPRAY VALVE & 12" SWING NOZZLE. PROVIDE 140 DEG F HW.

VITREOUS CHINA, 1.6 GPF, ZURN Z6000 MANUAL FLUSH VALVE, FLOOR MOUNTED, ELONGATED RIM, 12" ROUGH-IN, CLOSE COUPLED, SIPHON VORTEX BOWL AMERICAN STANDARD OPEN FRONT SEAT 5901.100, MCGUIRE 172LK CHROME PLATED BRASS CLOSET SUPPLY W/ 5" CHROME PLATED COPPER EXTENSION TUBE.

NOTES:
A. ALL VENT LINE SIZES SHOWN ARE MINIMUM UNLESS SHOWN LARGER ON RISER DIAGRAMS.
B. SIZES SHOWN FOR WASTE ARE FOR RISERS ONLY.
C. ALL DRAIN AND VENT LINES BELOW SLAB SHALL BE 2" OR LARGER.
D. VENT LINES SHALL RISE 6" ABOVE HORIZONTAL DRAIN PIPING BEFORE OFFSETTING HORIZONTALLY.
E. PROVIDE CHROME PLATED WHEEL HANDLE ANGLE SUPPLIES, FLEXIBLE RISER HOSE(S), AND CHROME PLATED WALL ESCUTCHEON(S).

SPECIALTY PLUMBING FIXTURE SCHEDULE				
TAG	FIXTURE	MANUFACTURER	MODEL	DESCRIPTION
YCO	YARD CLEAN OUT	SIoux CHIEF	834	SCHEDULE 40 HUB CONNECTION, DOUBLE-FLANGED HOUSING, AND 6 1/2" ROUND HEAVY-DUTY SCORiated DUCTILE IRON COVER
ET	EXPANSION TANK	AMTROL	ST-5	BRASS CONNECTION, WELDED STEEL CONSTRUCTION, POLYPROPYLENE LINER, BUTYL DIAPHRAGM, GROOVED DIAPHRAGM HOOP RING, WELDED AIR CHARGE FITTING
FCO	FLOOR CLEANOUT	SIoux CHIEF	851	PVC BODY, ROUND TENZALLOY TOP, POLYPROPYLENE OR ABS PLUG, ADJUSTABLE TO FINISH SURFACE. CLEANOUT SHALL BE THE SAME SIZE AS PIPE BEING SERVED.
FD	FLOOR DRAIN	SIoux CHIEF	832-3DSR	6 1/2" ROUND TOP, PVC BODY WITH 304 STAINLESS STEEL RING AND STRAINER, PROVIDE WITH 3" DRAIN AND 1 1/2" VENT. PROVIDE TRAP PRIMER (TP), REF PLUMBING DETAILS
FS	FLOOR SINK	SIoux CHIEF	861-3P	WHITE PVC 12" X 12" FLOOR SINK WITH 3/4" PVC OPEN HALF STRAINER (861-51), SEDIMENT BUCKET, PROVIDE WITH 3" DRAIN AND 1 1/2" VENT.
TD	TRENCH DRAIN	SIoux CHIEF	865	HIGH-DENSITY POLYETHYLENE TRENCH DRAIN, PROVIDE WITH GALVANIZED SLOTTED GRATE (865-GS) REFER TO DRAIN PLAN P1.0 FOR LENGTH OF TRENCH.
TMV	TEMPERATURE MIXING VALVE	ZURN	6900-MV	HIGH-LOW SYSTEM, PROVIDE AT RESTROOMS AND HAND SINKS NOT TO EXCEED 110 DEG F
TCC	TWO WAY CLEANOUT	SIoux CHIEF	834	SCHEDULE 40 HUB CONNECTION, DOUBLE-FLANGED HOUSING, AND HEAVY-DUTY SCORiated DUCTILE IRON COVER, REFER TO PLANS AND RISERS FOR SIZES
WCO	WALL CLEANOUT	SIoux CHIEF	873	THREADED COUNTERSUNK BRONZE CLEANOUT PLUG. PROVIDE DRILLED TAP FOR CENTER SCREW AND STAINLESS STEEL COVER
RPZ	REDUCE PRESSURE BACKFLOW PREVENTER	WATTS	LF009	EQUAL TO LINE SIZE. REFER TO PLANS; WATTS BALL VALVES AND "Y" STRAINER, SHALL MEET APPROVAL BY FOUNDATION FOR CROSS CONNECTION CONTROL AND HYDRAULIC RESEARCH AT THE UNIVERSITY OF SOUTHERN CALIFORNIA.
BP	BACKFLOW PREVENTER	WATTS	SD-3	LEAD FREE DUAL CHECK BACKFLOW PREVENTOR WITH ATMOSPHERIC VENT PORT. ASSE 1022 APPROVED BACKFLOW PREVENTOR DEVICE. INSTALL PER MANUFACTURERS REQUIREMENTS.
WHA	WATER HAMMER ARRESTOR	SIoux CHIEF	652-A	CONFORM TO PDI WH-201, ASSE 1010; TEMP TO 250°F, MAX 350 PSIG WORKING PRESSURE, SIZE PER MANUFACTURES DATA
TP	TRAP PRIMER	SIoux CHIEF	695-01	BRONZE PRIMER VALVE WITH REMOVABLE OPERATING PARTS INTEGRAL VACUUM BREAKER, AND GASKETED ACCESS COVER.
RD	ROOF DRAIN	JR SMITH	1010-CR	CAST IRON BODY, FLASHING CLAMP, GRAVEL STOP, UNDERDECK CLAMP, SUMP RECEIVER, AND POLYETHYLENE DOME.
OFD	OVERFLOW DRAIN	JR SMITH	1080	CAST IRON BODY, FLASHING CLAMP, GRAVEL STOP, UNDERDECK CLAMP, SUMP RECEIVER, POLYETHYLENE DOME, AND 2" HIGH WATER DAM.
DS	DOWN SPOUT NOZZLE	JR SMITH	1770	CAST BRONZE, NICKEL BRONZE FINISH, WALL FLANGE.
AAV	AIR ADMITTANCE VALVE	STUDOR	MINI VENT	SINGLE FIXTURE VENT, 100% CLOSING ABILITY
CO	CLEANOUT PLUG	SIoux CHIEF	873	THREADED CLEANOUT PLUG

NOTES:
A. INSTALL PER LOCAL CODES AND AHJ REQUIREMENTS.
B. PROVIDE CHROME PLATED WHEEL HANDLE ANGLE SUPPLIES, FLEXIBLE RISER HOSE(S), AND CHROME PLATED WALL ESCUTCHEON(S).

GREASE RECOVERY TANK (OWNER PROVIDED)				
MARK	DESCRIPTION	MANUFACTURER	MODEL	NOTES
GRT	GREASE RECOVERY TANK	DURA-CAST PRODUCTS	SCO INSIDE UNIT TANK	HIGH TEMPERATURE THREAD SEALANT, PITCH HORIZONTAL PIPE ABOVE CEILING 1/8" PER FOOT FROM FRYER DOWN TOWARD STORAGE TANK. CONSULT FRYER MANUFACTURE @ 501-920-5074 FOR MINIMUM PIPE RUN

GREASE INTERCEPTOR				
MARK	DESCRIPTION	MANUFACTURER	MODEL	NOTES
GI	GREASE INTERCEPTOR	PER LOCAL AHJ	PRECAST	PROVIDE AN APPROVED 1000 GALLON PRECAST GREASE INTERCEPTOR. CONTRACTOR TO SUBMIT PROPOSED INTERCEPTOR TO LOCAL AHJ FOR APPROVAL PRIOR TO BID.

GAS LOAD SCHEDULE			
ITEM	QUANTITY	MBH LOAD	SUBTOTAL MBH
RTU-1	1	180	180
RTU-2	1	180	180
KSF-1	1	176	176
FRYERS	4	105	420
WH-1	2	199	398
TOTAL:			1,354

TOTAL CONNECTED LOAD = 1,354 MBH.
ASSUMED NATURAL GAS SERVICE 10"WC AT METER DISCHARGE

WATER HEATER SCHEDULE							
MARK	MANUFACTURER	MODEL	GALLONS	GAS INPUT (MBH)	EFFICIENCY (%)	VOLTS	PHASE
WH	RINNAI	CU1991	0	199	96	120	1

NOTES:
A. PROVIDE WITH BRASS DRAIN VALVE, AUTOMATIC THERMOSTAT, AQUASTAT TEMPERATURE CONTROLLER, EXPANSION TANK (ET), NEUTRALIZING KIT, AND #MSB-M CONTROL KIT. PROVIDE WITH CONCENTRIC VENT KIT TO ROOF.
B. SET WATER HEATER TO 140 DEG F.
C. INSTALL PER MANUFACTURES RECOMMENDATIONS AND WARRANTY REQUIREMENTS.

PUMP SCHEDULE							
MARK	MANUFACTURER	MODEL	GPM	HEAD (FT)	HP	VOLTS	PHASE
P1	TACO	005-SF2	3	8	1/35	115	1

NOTES:
A. STAINLESS STEEL BODY WITH NON-FERROUS IMPELLER.

KITCHEN PLUMBING GENERAL NOTES

- REFER TO FOOD SERVICE PLANS FOR SPECIFICATIONS OF ALL KITCHEN EQUIPMENT AND FIXTURES.
- ALL FLOOR SINKS TO RECEIVE INDIRECT WASTE FROM EQUIPMENT ON LESS THAN 6 INCH LEGS ARE REQUIRED TO BE LOCATED WITH A MINIMUM OF 50% EXPOSURE. WHEN THERE IS AN EASILY ACCESSIBLE WALL SPACE AT THE SIDE OF THE UNIT THEN THE RECEPTOR BE LOCATED THERE WITH 100% EXPOSURE. A PROPER AIR GAP IS REQUIRED.
- FLOOR SINKS FOR INDIRECT WASTE FROM PREPARATION SINKS, EQUIPMENT WASHING SINKS, AND FIXTURES ON LEGS HIGHER THAN 6 INCHES SHOULD BE EASILY ACCESSIBLE AND LOCATED FLUSH WITH THE FRONT EDGE OF THE UNITS. A PROPER AIR GAP IS REQUIRED.
- WASTE LINES FROM THE STORAGE SECTION OF ICEMAKERS AND DISPENSERS MUST BE ROUTED SEPARATELY FROM THE DUMP, OVERFLOW, AND/OR CONDENSER LINES. ALL LINES ARE REQUIRED TO BE INDIRECTLY WASTED INTO AN APPROVED RECEPTOR AND MAINTAIN A PROPER AIR GAP.
- IF THREADED FAUCET IS PRESENT ON MOP SINK OR OTHER FIXTURE TO WHICH A HOSE MAY BE ATTACHED, A BACKFLOW PREVENTER IS REQUIRED TO BE INSTALLED.
- ALL PIPING LOCATED IN WALLS BEHIND KITCHEN HOODS SHALL BE NONCOMBUSTIBLE. PLASTIC PIPING IS NOT ALLOWED IN WALLS BEHIND PLUMBING HOODS.
- GAS PIPING CONNECTION TO KITCHEN EQUIPMENT SHALL BE BY MEANS OF FLEXIBLE STAINLESS STEEL HOSE. PROVIDE EQUIPMENT RESTRAINTS TO LIMIT MOVEMENT OF EQUIPMENT UPON PULL OUT PER CODE.
- REFER TO PLUMBING FIXTURE SCHEDULE AND FOOD SERVICE PLANS OR WASTE, WATER, AND VENT PIPE SIZES TO INDIVIDUAL FIXTURES NOT INDICATED ON THIS DRAWING. ALL VENT PIPING SERVING FLOOR DRAINS AND FLOOR SINKS TO BE 2" MINIMUM.
- CONTRACTOR IS RESPONSIBLE FOR COORDINATING LOCATION OF KITCHEN FLOOR DRAINS, FLOOR SINKS, WASTE CONNECTIONS, ETC. WITH FOOD SERVICE PLANS AND KITCHEN EQUIPMENT REQUIREMENTS. REFER TO FOOD SERVICE PLANS FOR ADDITIONAL PLUMBING EQUIPMENT SCHEDULES.
- CONTRACTOR IS RESPONSIBLE FOR INSTALLATION OF ALL INDIRECT WASTE PIPING FROM KITCHEN EQUIPMENT TO ASSOCIATED FLOOR SINKS OR DRAIN. COORDINATE EXACT ROUTING AND INSTALLATION REQUIREMENTS WITH FOOD SERVICE PLANS.
- CONTRACTOR TO PROVIDE SHUT-OFF VALVES ON THE INLET SIDE OF THE DCW AND DHW LINES SERVING EACH PIECE OF EQUIPMENT.
- PROVIDE MANUAL & SOLENOID SHUT-OFF VALVES IN GAS LINES SERVING COOKING EQUIPMENT.
- WHERE TWO DISSIMILAR METALS ARE JOINED TO MAKE A COLD OR HOT WATER CONNECTION, PLUMBING CONTRACTOR SHALL FURNISH AND INSTALL A DIELECTRIC UNION TO PREVENT ELECTROLYSIS.
- IF THE WATER PRESSURE AT EQUIPMENT AREA EXCEEDS 50 PSIG FLOW PRESSURE, OWNER OR CONTRACTOR SHALL INSTALL A PRESSURE REDUCING VALVE ON BOTH THE MAIN DHW AND DCW SUPPLY LINES SERVING THE AREA.
- IF WATER HARDNESS EXCEEDS TEN GRAINS, OR IF EXCESSIVE LIME, IRON, ALKALINE, ETC. ARE PRESENT, PROPER WATER CONDITIONING EQUIPMENT SHALL BE INSTALLED ON THE MAIN WATER LINES SERVING THE FOOD SERVICE AREA. ALL WATER CONDITIONING EQUIPMENT SHALL BE PROVIDED BY OTHERS THE CONTRACTOR SHALL BE RESPONSIBLE FOR PROVIDING WATER HARDNESS/IMPURITIES TESTING.